

LISTA DE APLICACIONES - BUYERS GUIDE

181263

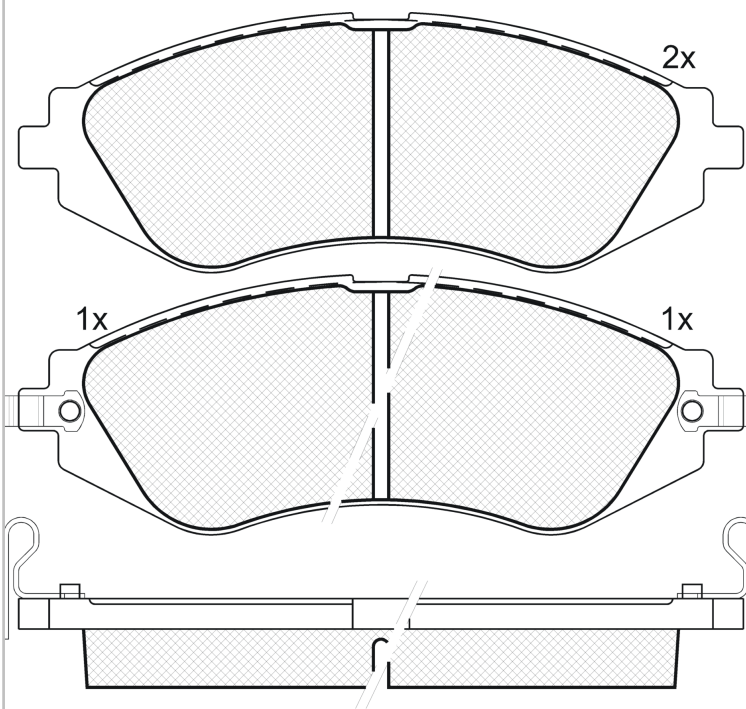


8 424073 058645

Qty: 300

Weight: 1.500

O.E.M.	MAKE
55200-85Z00	SUZUKI
55200-85Z10	SUZUKI
9456 6889	CHEVROLET
9624 5178	DAEWOO
9628 1937	DAEWOO
9631 9060	DAEWOO
9634 9059	DAEWOO
9634 9060	DAEWOO
9639 1891	DAEWOO
9640 5129	DAEWOO
9640 5130	DAEWOO
9647 5176	DAEWOO
9649 5227	DAEWOO
9653 4655	DAEWOO
S341 0011	DAEWOO
S451 0007	DAEWOO
S451 0009	DAEWOO
S451 0011	DAEWOO
S451 0019	DAEWOO



181263

E1 90R-01101/110



Akebono

142.85x51.14x17.5

WVA	FMSI
25065	D902-7779
25066	D1035-7779

MAKE
BUICK (SGM)
CHEVROLET
CHEVROLET (SGMW)
DAEWOO
FSO
HOLDEN
SUZUKI



Trac.	CC	Kw	CV
-------	----	----	----



Front / Rear

BUICK (SGM)

EXCELLE 01.04-12.13							Estate (Compact car-C Segment)	
1.6		Gasolina	FWD	1598	78	106	07.07-	■
1.8		Gasolina	FWD	1796	88	120	10.04-	■
EXCELLE 04.03-05.08							Saloon (Compact car-C Segment)	
1.6		Gasolina	FWD	1598	78	106	08.03-	■
EXCELLE XT 05.08-							Saloon (Compact car-C Segment)	
1.5		Gasolina	FWD	1485	83	113	02.13-	■
1.6		Gasolina	FWD	1598	78	106	05.08-	■
1.6		Gasolina	FWD	1598	81	110	08.10-	■
1.8		Gasolina	FWD	1796	88	120	05.08-	■
EXCELLE HRV 10.04-12.13							Hatchback (Compact car-C Segment)	
1.6		Gasolina	FWD	1598	78	105	10.04-	■

CHEVROLET

ASTRA 09.98-12.11							Hatchback (Compact car-C Segment)	
2.0 (C 20 SEJ)		Gasolina	FWD	1998	82	112	03.99-07.02	■
ASTRA 10.98-12.11							Saloon (Compact car-C Segment)	
2.0 GL (LE4(122CUL4))		Gasolina	FWD	1998	85	116	08.02-12.11	■
AVEO / KALOS (T200) 02.03-12.08							Hatchback (Supermini car-B Segment)	
1.2 (LY4)	discØ 256	Gasolina	FWD	1150	53	72	01.04-05.08	■
1.4 16V (L14(85CUL4))		Gasolina	FWD	1399	69	94	06.06-05.08	■
1.5 (LV8(91CUL4))	with cruise control, POC K35	Gasolina	FWD	1498	62	84	01.05-05.08	■

LISTA DE APLICACIONES - BUYERS GUIDE

1.2 LPG (LY4)	discØ 256	Gasol./Gas (LPG)	FWD	1150	53	72	01.05-05.08	■	
AVEO / KALOS (T200) 01.03-12.08					Saloon (Supermini car-B Segment)				
1.4 (L14(85CUL4))	discØ 256	Gasolina	FWD	1399	69	94	03.05-05.13	■	
1.4 (LDT)	discØ 256	Gasolina	FWD	1399	74	101	09.08-	■	
1.5 (F15S3)	discØ 256	Gasolina	FWD	1498	62	84	05.05-	■	
1.5 (LX6)	discØ 256	Gasolina	FWD	1498	62	84	05.05-	■	
1.5 (LV8(91CUL4))	with cruise control, POC K35	Gasolina	FWD	1498	63	86	10.04-05.06	■	
1.6		Gasolina	FWD	1598	77	105	09.03-12.08	■	
1.6 (LXV)	discØ 256	Gasolina	FWD	1598	77	105	01.08-12.12	■	
LACETTI (J200) 05.03-					Estate (Compact car-C Segment)				
1.6 (L44(96CUL4))		Gasolina	FWD	1598	80	109	03.05-	■	
1.6 (LXT)		Gasolina	FWD	1598	80	109	03.05-	■	
1.8 (LDA)		Gasolina	FWD	1796	89	121	08.05-	■	
1.8 (LDA)		Gasolina	FWD	1796	90	122	08.05-03.13	■	
1.8		Gasolina	FWD	1799	90	122	05.03-08.05	■	
1.6 LPG (LXT)		Gasol./Gas (LPG)	FWD	1598	80	109	06.09-12.11	■	
2.0 D (LMN)		Diesel	FWD	1991	89	121	01.07-	■	
LACETTI (J200) 03.03-					Hatchback (Compact car-C Segment)				
1.4	01/05-	Gasolina	FWD	1395	70	95	03.03-	■	
1.4 16V (L14(85CUL4))	-12/09	Gasolina	FWD	1399	70	95	03.05-03.13	■	
1.6	01/05-	Gasolina	FWD	1595	80	109	03.03-	■	
1.6 (L44(96CUL4))	-12/09	Gasolina	FWD	1598	80	109	03.05-	■	
1.6 (LXT)	-12/09	Gasolina	FWD	1598	80	109	03.05-	■	
1.8 (LDA)		Gasolina	FWD	1796	67	91	03.05-12.09	■	
1.8 (LDA)	-12/09	Gasolina	FWD	1796	89	121	08.05-12.11	■	
1.8 (LDA)	-12/09	Gasolina	FWD	1796	90	122	03.05-	■	
1.4 LPG (L14(85CUL4))		Gasol./Gas (LPG)	FWD	1399	69	94	01.05-12.12	■	
2.0 D (LMN)	-12/09	Diesel	FWD	1991	89	121	01.07-	■	
LACETTI (J200) 03.03-03.13					Saloon (Compact car-C Segment)				
1.4 (L14(85CUL4))		Gasolina	FWD	1399	69	94	03.05-03.13	■	
1.6 (L44(96CUL4))		Gasolina	FWD	1598	80	109	03.05-03.13	■	
1.6 (LXT)		Gasolina	FWD	1598	80	109	03.05-03.13	■	
1.8 (LDA)		Gasolina	FWD	1796	66	90	08.05-12.09	■	
1.8 (LDA)		Gasolina	FWD	1796	90	122	08.05-03.13	■	
1.8		Gasolina	FWD	1799	90	122	05.03-08.05	■	
LANOS 11.05-					Hatchback (Supermini car-B Segment)				
1.6 16V		Gasolina	FWD	1598	78	106	11.05-	■	
LANOS 11.05-					Saloon (Supermini car-B Segment)				
1.6 16V (L44(96CUL4))		Gasolina	FWD	1598	78	106	11.05-12.10	■	
NUBIRA / ESTATE 01.05-					Estate (Compact car-C Segment)				
1.5	-12/09	Gasolina	FWD	1498	78	106	01.05-	■	
1.6 (L44(96CUL4))	-12/09	Gasolina	FWD	1598	80	109	03.05-12.11	■	
1.6 (LXT)	-12/09	Gasolina	FWD	1598	80	109	03.05-12.11	■	
1.8 (LDA)	-12/09	Gasolina	FWD	1796	89	121	08.05-12.11	■	
1.8 (LDA)		Gasolina	FWD	1796	90	122	03.05-12.09	■	
2.0	-12/09	Gasolina	FWD	1998	88	120	01.05-	■	
1.6 LPG (L44(96CUL4))		Gasol./Gas (LPG)	FWD	1598	80	109	03.05-12.10	■	

LISTA DE APLICACIONES - BUYERS GUIDE

1.6 LPG (LXT)		Gasol./Gas (LPG)	FWD	1598	80	109	03.05-12.10	■	
2.0 D (LMN)	-12/09	Diesel	FWD	1991	89	121	01.07-12.11	■	
NUBIRA / OPTRA 01.05-					Saloon (Compact car-C Segment)				
1.4 (L14(85CUL4))		Gasolina	FWD	1399	69	94	01.05-12.07	■	
1.4 (L14(85CUL4))		Gasolina	FWD	1399	70	95	01.06-12.08	■	
1.5		Gasolina	FWD	1498	78	106	01.05-09.07	■	
1.6		Gasolina	FWD	1598	76	104	12.08-12.11	■	
1.6 (L44(96CUL4))	-12/09	Gasolina	FWD	1598	80	109	03.05-12.11	■	
1.6 (LXT)	-12/09	Gasolina	FWD	1598	80	109	03.05-12.11	■	
1.8 (LDA)		Gasolina	FWD	1796	89	121	01.06-09.07	■	
1.8 (LDA)		Gasolina	FWD	1796	90	122	03.05-12.09	■	
2.0		Gasolina	FWD	1998	88	120	01.05-09.07	■	
2.0 D (LMN)	-12/09	Diesel	FWD	1991	89	121	01.05-12.11	■	
OPTRA 09.01-12.08					Estate (Compact car-C Segment)				
1.6 (LXT)		Gasolina	FWD	1598	78	106	06.06-12.08	■	
1.6 (L44(96CUL4))		Gasolina	FWD	1598	80	109	06.06-12.08	■	
1.6 (LXT)		Gasolina	FWD	1598	80	109	06.06-12.08	■	
2.0		Gasolina	FWD	1995	97	132	06.06-12.08	■	
2.0		Gasolina	FWD	1998	94	128	09.04-12.07	■	
2.0		Gasolina	FWD	1998	94	128	09.06-12.07	■	
1.6 CNG (F16D3)		Gasol./Gas (CNG)	FWD	1598	80	109	03.05-12.08	■	
OPTRA 08.03-					Hatchback (Compact car-C Segment)				
1.6 SRV (F16D3)		Gasolina	FWD	1598	74	101	06.06-	■	
1.8 SRV		Gasolina	FWD	1796	90	122	08.03-12.08	■	
OPTRA 06.99-07.03					Saloon (Compact car-C Segment)				
1.6 (LXT)		Gasolina	FWD	1598	78	106	08.03-12.08	■	
1.6 (L44(96CUL4))		Gasolina	FWD	1598	80	109	08.03-12.08	■	
1.6 (LXT)		Gasolina	FWD	1598	80	109	08.03-12.08	■	
1.8 (LDA)		Gasolina	FWD	1796	85	116	08.03-12.09	■	
1.8 (LDA)		Gasolina	FWD	1796	90	122	08.03-12.08	■	
2.0 (L34(122CUL4))		Gasolina	FWD	1998	93	126	09.03-12.10	■	
2.0		Gasolina	FWD	1998	97	132	08.03-12.08	■	
2.0		Gasolina	FWD	1998	98	133	06.99-07.03	■	
1.6 CNG (F16D3)		Gasol./Gas (CNG)	FWD	1598	80	109	03.05-12.10	■	
2.0 TDCi		Diesel	RWD	1991	76	104	08.11-	■	
2.0 TDCi		Diesel	RWD	1991	89	121	08.06-12.08	■	
2.0 TCDi	01/11-	Diesel	RWD	1991	92	125	01.07-	■	
REZZO / TACUMA (U100) 03.05-					MPV (Compact MPV-M1 Segment)				
1.6 (L44(96CUL4))		Gasolina	FWD	1598	66	90	03.05-03.09	■	
1.6 (L44(96CUL4))		Gasolina	FWD	1598	77	105	03.05-	■	
1.6 (L44(96CUL4))		Gasolina	FWD	1598	79	107	08.05-	■	
2.0 (L88)		Gasolina	FWD	1998	89	121	03.05-	■	
2.0 (L88)		Gasolina	FWD	1998	90	122	08.05-09.09	■	
SPARK III / BEAT / MATIZ (M300) 12.09-					Hatchback (City car-A Segment)				
1.0 (LMT)	01/13-	Gasolina	FWD	995	50	68	03.10-	■	
1.2		Gasolina	FWD	1199	59	80	12.09-09.12	■	

LISTA DE APLICACIONES - BUYERS GUIDE

1.2 LPG	01/13-	Gasolina	FWD	1199	59	80	01.11-	■	
1.2	01/13-	Gasolina	FWD	1199	61	83	01.11-	■	
1.2 (LMU)	01/13-	Gasolina	FWD	1206	60	82	03.10-	■	
1.2 (LLO)	01/13-	Gasolina	FWD	1249	64	87	01.12-	■	
1.0 LPG (LMT)	01/13-	Gasol./G as (LPG)	FWD	995	48	65	07.10-	■	
1.0 LPG (LMT)	01/13-	Gasol./G as (LPG)	FWD	995	50	68	03.10-	■	
1.2 LPG (LMU)	01/13-	Gasol./G as (LPG)	FWD	1206	60	82	03.10-	■	
1.0 D	01/13-	Diesel	RWD	936	46	63	01.12-	■	
VECTRA 03.96-11.06							Saloon (Large family car-D Segment)		
2.0 (L34(122CUL4))		Gasolina	FWD	1998	100	136	03.96-04.98	■	
VIVANT 05.00-							MPV (Compact MPV-M1 Segment)		
1.6	-12/05	Gasolina	FWD	1598	78	106	08.01-	■	
1.8		Gasolina	FWD	1761	72	98	05.00-	■	
2.0		Gasolina	FWD	1995	97	132	08.02-	■	
2.0		Gasolina	FWD	1998	89	121	08.00-12.04	■	
VIVANT II 01.05-							MPV (Compact MPV-M1 Segment)		
1.6		Gasolina	FWD	1598	77	105	01.05-03.09	■	
2.0 CX		Gasolina	FWD	1998	89	121	01.05-03.09	■	
CHEVROLET (SGMW)									
SPARK (KSC) 11.02-12.12							Hatchback (City car-A Segment)		
1.2		Gasolina	FWD	1206	63	86	12.08-	■	
DAEWOO									
ARANOS 01.95-11.97							Saloon (Executive car-E Segment)		
1.5 (V15L)		Gasolina	FWD	1498	66	90	01.95-11.97	■	
1.8 (Y18L)		Gasolina	FWD	1796	70	95	01.95-11.97	■	
2.0 (C20LE)		Gasolina	FWD	1998	77	105	01.95-11.97	■	
2.0		Gasolina	FWD	1998	81	110	01.95-11.97	■	
CIELO 06.94-12.07							Saloon (Supermini car-B Segment)		
1.5 (Y15L)	01/97-	Gasolina	FWD	1498	55	75	04.95-12.02	■	
1.5 (V15L)	01/97-	Gasolina	FWD	1498	66	90	06.94-07.98	■	
CIELO LOAD RUNNER 02.96-08.97							Hatchback Van (LCVs-N1 Segment)		
1.5	01/97-	Gasolina	FWD	1498	55	75	02.96-08.97	■	
ESPERO (KLEJ) 10.91-09.99							Saloon (Executive car-E Segment)		
1.5 (A15F)		Gasolina	FWD	1498	55	75	10.97-08.99	■	
1.5 16V (A15MF)		Gasolina	FWD	1498	66	90	02.95-06.99	■	
1.8 (C18LE)		Gasolina	FWD	1796	66	90	02.95-09.99	■	
1.8 (C18LE)		Gasolina	FWD	1796	70	95	02.95-06.99	■	
2.0 (C20LE)		Gasolina	FWD	1998	77	105	02.95-06.99	■	
EVANDA (KLAL) 08.02-							Saloon (Executive car-E Segment)		
2.0 (X 20 SED)		Gasolina	FWD	1998	96	131	08.02-	■	
FORENZA 01.05-							Saloon (Compact car-C Segment)		
2.0 16V	01/05-	Gasolina	FWD	1995	88	120	01.05-	■	
GENTRA 05.05-							Hatchback (Supermini car-B Segment)		
1.4		Gasolina	FWD	1399	69	94	05.05-	■	
1.6 E-Tec LS		Gasolina	FWD	1598	77	105	05.05-	■	

LISTA DE APLICACIONES - BUYERS GUIDE

GENTRA 11.02-04.05					Saloon (Supermini car-B Segment)			
1.2 SE		Gasolina	FWD	1150	53	72	11.02-04.05	■
1.4		Gasolina	FWD	1399	69	94	05.05-	■
1.4 SR		Gasolina	FWD	1399	69	94	05.03-04.05	■
1.5 SE		Gasolina	FWD	1498	62	84	11.02-04.05	■
1.6 E-Tec LS		Gasolina	FWD	1598	77	105	05.05-	■
GENTRA II 06.13-					Saloon (Supermini car-B Segment)			
1.5 (B 15 D2)		Gasolina	FWD	1485	79	107	06.13-	■
LACETTI 04.97-05.99					Estate (Compact car-C Segment)			
1.5 SX		Gasolina	FWD	1498	63	86	04.97-05.99	■
1.5 SE		Gasolina	FWD	1498	81	110	04.98-05.99	■
1.8 SX		Gasolina	FWD	1796	70	95	04.97-05.99	■
LACETTI (KLAN) 02.02-					Hatchback (Compact car-C Segment)			
1.4 (F14D3)		Gasolina	FWD	1399	69	94	06.02-12.04	■
1.4 (F14D3)	-12/05	Gasolina	FWD	1399	70	95	02.04-	■
1.6 (F16D3)	-12/05	Gasolina	FWD	1598	80	109	02.04-	■
1.8 (T18SED)	-12/05	Gasolina	FWD	1799	90	122	02.04-	■
LACETTI 04.97-05.99					Saloon (Compact car-C Segment)			
1.5 (A15SMS)		Gasolina	FWD	1498	63	86	08.03-12.04	■
1.5 SX		Gasolina	FWD	1498	63	86	04.97-05.99	■
1.5 SE		Gasolina	FWD	1498	81	110	04.98-05.99	■
1.6 (A16DMS)		Gasolina	FWD	1598	78	106	06.99-07.03	■
1.8 CDX		Gasolina	FWD	1761	67	91	08.03-12.04	■
1.8 SX		Gasolina	FWD	1796	70	95	04.97-05.99	■
1.8 (T18SED)		Gasolina	FWD	1799	89	121	06.02-12.04	■
1.8 CDX		Gasolina	FWD	1799	90	122	08.03-12.04	■
2.0 (C20SED)		Gasolina	FWD	1998	81	110	06.99-07.03	■
2.0		Gasolina	FWD	1998	98	133	04.97-05.99	■
2.0 (X 20 SED)		Gasolina	FWD	1998	98	133	06.99-07.03	■
LANOS (KLAT) 02.97-					Saloon (Supermini car-B Segment)			
1.6 16V (L44(98CUL4))	01/99-	Gasolina	FWD	1598	78	106	02.97-	■
LANOS / SENS (KLAT) 04.97-					Hatchback (Supermini car-B Segment)			
1.6 16V (L44(98CUL4))	01/99-	Gasolina	FWD	1598	78	106	05.97-	■
LEGANZA (KLA) 03.97-04.04					Saloon (Executive car-E Segment)			
1.8 CD		Gasolina	FWD	1796	70	95	06.97-07.03	■
2.0		Gasolina	FWD	1998	85	116	06.97-12.02	■
2.0 16V (T20SED)		Gasolina	FWD	1998	93	126	07.00-04.04	■
2.0 16V (X 20 SED)		Gasolina	FWD	1998	98	133	06.97-12.02	■
2.0 (T20SED)		Gasolina	FWD	1998	133	181	01.01-12.02	■
2.2 16V (T22SED)		Gasolina	FWD	2198	100	136	04.99-12.02	■
NUBIRA (J150) 06.99-10.03					Estate (Compact car-C Segment)			
1.6 16V (A16DMS)		Gasolina	FWD	1598	78	106	06.99-12.02	■
2.0 16V (X 20 SED)		Gasolina	FWD	1998	98	133	06.99-07.02	■
NUBIRA (J100) 04.97-					Hatchback (Compact car-C Segment)			
1.6 (A16DMS)		Gasolina	FWD	1598	76	103	08.02-07.03	■
1.6 16V (A16DMS)		Gasolina	FWD	1598	78	106	05.97-05.99	■
1.6 16V (A16DMS)		Gasolina	FWD	1598	78	106	06.99-07.02	■

LISTA DE APLICACIONES - BUYERS GUIDE

1.8		Gasolina	FWD	1796	70	95	04.97-05.99	■	
2.0 CDX (T20SED)		Gasolina	FWD	1998	93	126	08.02-07.03	■	
2.0 16V (Z20L)	-12/03	Gasolina	FWD	1998	98	133	05.97-	■	
2.0 16V (X 20 SED)		Gasolina	FWD	1998	98	133	06.99-07.02	■	
NUBIRA (J100) 04.97-					Saloon (Compact car-C Segment)				
1.5 SE		Gasolina	FWD	1498	81	110	06.99-07.03	■	
1.6 16V (A16DMS)		Gasolina	FWD	1598	76	103	07.00-	■	
1.6 16V (A16DMS)		Gasolina	FWD	1598	78	106	05.97-05.99	■	
1.6 16V (A16DMS)		Gasolina	FWD	1598	78	106	06.99-07.02	■	
1.8		Gasolina	FWD	1796	70	95	04.97-05.99	■	
1.8 16V		Gasolina	FWD	1796	100	136	04.97-05.99	■	
2.0 (C20SED)		Gasolina	FWD	1998	81	110	06.99-07.03	■	
2.0 16V (T20SED)	-12/03	Gasolina	FWD	1998	93	126	12.00-	■	
2.0 16V (X 20 SED)	-12/03	Gasolina	FWD	1998	98	133	05.97-	■	
2.0 16V (X 20 SED)		Gasolina	FWD	1998	98	133	06.99-07.02	■	
NUBIRA II (J200) 07.03-					Saloon (Compact car-C Segment)				
1.4 (F14D3)		Gasolina	FWD	1399	69	94	10.03-12.04	■	
1.6 (F16D3)	-12/05	Gasolina	FWD	1598	80	109	07.03-	■	
1.8 (T18SED)	-12/05	Gasolina	FWD	1799	90	122	07.03-	■	
NUBIRA II Wagon (J200) 07.03-					Estate (Compact car-C Segment)				
1.6 (F16D3)	-12/05	Gasolina	FWD	1598	80	109	07.03-	■	
1.8	-12/05	Gasolina	FWD	1796	70	95	06.04-	■	
1.8 (T18SED)	-12/05	Gasolina	FWD	1799	90	122	07.03-	■	
NUBIRA Wagon (J100) 04.97-					Estate (Compact car-C Segment)				
1.6 16V (A16DMS)	-12/03	Gasolina	FWD	1598	66	90	06.97-	■	
1.6 16V (A16DMS)		Gasolina	FWD	1598	76	103	12.00-	■	
1.6 16V (A16DMS)		Gasolina	FWD	1598	78	106	05.97-05.99	■	
1.8		Gasolina	FWD	1796	70	95	04.97-05.99	■	
2.0 16V (T20SED)	-12/03	Gasolina	FWD	1998	93	126	12.00-	■	
2.0 16V (X 20 SED)	-12/03	Gasolina	FWD	1998	98	133	05.97-	■	
REZZO / TACUMA (U100) 06.00-					MPV (Compact MPV-M1 Segment)				
1.6 SX (L44(96CUL4))		Gasolina	FWD	1598	66	90	08.01-12.04	■	
1.6 (A16DMS)		Gasolina	FWD	1598	77	105	09.00-	■	
1.6 (A16DMS)		Gasolina	FWD	1598	78	106	02.02-12.04	■	
1.8 (F18D2)		Gasolina	FWD	1761	67	91	09.00-	■	
1.8 (F18S2)		Gasolina	FWD	1761	72	98	09.00-	■	
1.8 (F18S2)		Gasolina	FWD	1761	74	101	09.00-	■	
2.0 (X 20 SED)		Gasolina	FWD	1998	89	121	09.01-12.04	■	
2.0 (T20SED)		Gasolina	FWD	1998	94	128	09.00-	■	
FSO									
LANOS 05.04-10.08					Hatchback (Supermini car-B Segment)				
1.6 16V (A16DMS)		Gasolina	FWD	1598	78	106	05.04-10.08	■	
LANOS 05.04-10.08					Saloon (Supermini car-B Segment)				
1.6 16V (A16DMS)		Gasolina	FWD	1598	78	106	05.04-10.08	■	
HOLDEN									
VIVA (JF) 03.05-12.09					Estate (Compact car-C Segment)				
1.8 i		Gasolina	FWD	1796	89	121	03.05-12.09	■	

LISTA DE APLICACIONES - BUYERS GUIDE

VIVA (JF) 03.05-12.09					Hatchback (Compact car-C Segment)			
1.8 i		Gasolina	FWD	1796	89	121	03.05-12.09	■
VIVA (JF) 03.05-12.09					Saloon (Compact car-C Segment)			
1.8 i		Gasolina	FWD	1796	89	121	03.05-12.09	■
SUZUKI								
FORENZA 09.04-12.08					Estate (Compact car-C Segment)			
2.0		Gasolina	FWD	2000	89	121	09.04-12.07	■
FORENZA (U.S.A.) 09.03-12.08					Saloon (Compact car-C Segment)			
2.0 16V	01/05-	Gasolina	FWD	1995	88	120	09.03-	■
2.0 (L34)		Gasolina	FWD	1995	94	128	09.03-12.05	■
RENO 09.04-12.08					Hatchback (Compact car-C Segment)			
2.0 16V	01/05-	Gasolina	FWD	1995	93	126	09.04-	■
2.0		Gasolina	FWD	1998	89	121	09.04-12.08	■