

# LISTA DE APLICACIONES - BUYERS GUIDE

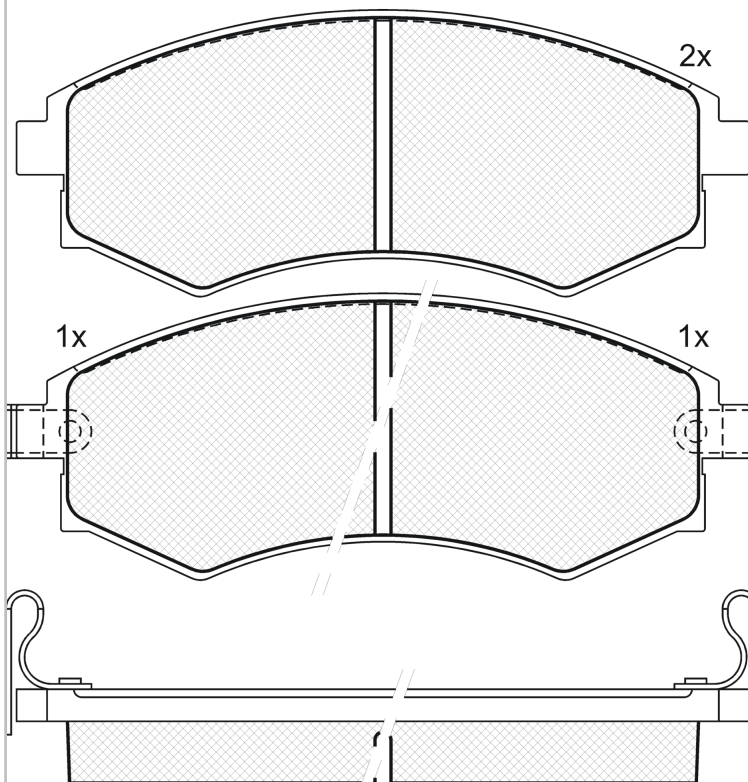
## 181267



Qty: 300

Weight: 1.467

O.E.M.	MAKE
58101-17A00	HYUNDAI
58101-29A00	HYUNDAI
58101-29A20	HYUNDAI
58101-29A31	HYUNDAI
58101-29A50	HYUNDAI
58101-29A70	KIA
58101-29A80	HYUNDAI
58101-29A90	HYUNDAI
58101-29B00	HYUNDAI
58101-2DA20	HYUNDAI
58101-34A10	HYUNDAI
58101-34A20	HYUNDAI
58101-38A00	HYUNDAI
58101-38A20	HYUNDAI
58101-38A40	HYUNDAI
58101-38A50	HYUNDAI
58101-38A60	HYUNDAI
58101-390S0	HYUNDAI
58101-39A00	HYUNDAI
58101-3CA20	KIA
58101-3CA80	KIA
58101-M2A02	KIA
58101-M2A04	KIA



## 181267

**E 9** 90R-01111/074



Mando

136.9x53.4x17.5

**FMSI**

D887-7765

**MAKE**

HYUNDAI

HYUNDAI (BEIJING)

KIA



Trac.	CC	Kw	CV
-------	----	----	----



Front / Rear

### HYUNDAI

#### COUPE / TIBURON (RD) 05.96-03.04

#### Coupe (Compact car-C Segment)

Model	Year	Fuel	Trac.	CC	Kw	CV	Period	Icon
1.6 i 16V (G4ED-G)		Gasolina	FWD	1599	79	107	08.00-01.02	■
1.6 i 16V (G4GR)	01/00-	Gasolina	FWD	1599	84	114	12.96-04.02	■
1.6 16V (G4GR)		Gasolina	FWD	1599	85	116	03.98-04.02	■
2.0 16V (G4DF)	-12/01	Gasolina	FWD	1975	99	135	03.01-04.02	■
2.0 (G4DF)		Gasolina	FWD	1975	101	137	08.99-01.02	■
2.0 16V (G4DF)	01/00-	Gasolina	FWD	1975	102	139	08.96-04.02	■
2.0 16V (G4GF)	01/00-	Gasolina	FWD	1975	102	139	08.96-04.02	■
F2 Evolution (G4GF)		Gasolina	FWD	1975	115	154	01.99-12.01	■

#### ELANTRA III / AVANTE (XD) 03.00-08.06

#### Hatchback (Compact car-C Segment)

1.6 (G4GR)	-12/01	Gasolina	FWD	1599	66	90	06.00-07.06	■
1.6 (G4ED)	-12/01	Gasolina	FWD	1599	79	107	06.00-07.06	■
1.8 (G4BB)	-12/01	Gasolina	FWD	1795	79	107	06.00-07.03	■
1.8 (G4BB)	-12/01	Gasolina	FWD	1795	97	132	06.00-07.06	■
1.8 (G4GB)	-12/01	Gasolina	FWD	1795	97	132	06.00-07.06	■
2.0 (G4GC-G)	-12/01	Gasolina	FWD	1975	102	139	06.00-07.06	■
2.0 (G4GC)	-12/01	Gasolina	FWD	1975	104	141	06.00-07.06	■
2.0 CRDi (D4EA)		Diesel	FWD	1991	83	113	04.01-07.06	■

#### ELANTRA III / AVANTE (XD) 03.00-07.07

#### Saloon (Compact car-C Segment)

1.6 (G4GR)		Gasolina	FWD	1599	66	90	06.00-07.06	■
1.6 (G4ED)		Gasolina	FWD	1599	77	105	05.03-05.06	■
1.6 (G4ED)	-12/01	Gasolina	FWD	1599	79	107	06.00-07.06	■
1.8 (G4BB)	-12/01	Gasolina	FWD	1795	79	107	06.00-07.03	■

# LISTA DE APLICACIONES - BUYERS GUIDE

1.8 (G4BB)	-12/01	Gasolina	FWD	1795	97	132	06.00-07.06	■	
1.8 (G4GB)	-12/01	Gasolina	FWD	1795	97	132	06.00-07.06	■	
2.0 (G4GC-G)	-12/01	Gasolina	FWD	1975	102	139	06.00-07.06	■	
2.0 (G4GC)	-12/01	Gasolina	FWD	1975	104	141	06.00-07.06	■	
<b>GRANDEUR IV / AZERA (TG) 06.03-</b>					<b>Saloon (Executive car-E Segment)</b>				
2.7 (G6BA)		Gasolina	FWD	2656	141	192	05.06-10.10	■	
<b>LANTRA II / AVANTE II / ELANTRA II (J-2) 01.95-12.02</b>					<b>Saloon (Compact car-C Segment)</b>				
1.6 i (G4GR)		Gasolina	FWD	1599	66	90	11.95-09.00	■	
1.6 16V (G4GR)		Gasolina	FWD	1599	84	114	11.95-09.00	■	
1.6 16V (G4GR)		Gasolina	FWD	1599	87	118	06.95-09.00	■	
1.9 D (DJY)		Diesel	FWD	1905	50	68	03.98-09.00	■	
<b>LANTRA II / ELANTRA II (J-2) 06.95-12.01</b>					<b>Estate (Compact car-C Segment)</b>				
1.6 i (G4GR)		Gasolina	FWD	1599	66	90	02.96-10.00	■	
1.6 16V (G4GR)		Gasolina	FWD	1599	84	114	02.96-10.00	■	
1.6 16V (G4GR)		Gasolina	FWD	1599	87	118	06.98-05.00	■	
<b>MATRIX / ELANTRA / LAVITA (FC) 06.01-08.10</b>					<b>MPV (Compact MPV-M1 Segment)</b>				
1.6 (G4ED)		Gasolina	FWD	1599	66	90	01.02-12.05	■	
1.6 (G4ED)	-12/02	Gasolina	FWD	1599	76	103	06.01-08.10	■	
1.8 (G4GB)	-12/02	Gasolina	FWD	1795	90	122	06.01-08.10	■	
1.5 CRDi (D3EA)	-12/02	Diesel	FWD	1493	60	82	10.01-08.10	■	
<b>SONATA III (Y-3) 07.92-12.00</b>					<b>Saloon (Executive car-E Segment)</b>				
1.8 GLS		Gasolina	FWD	1795	63	86	07.96-05.98	■	
2.0 i (G4EP)		Gasolina	FWD	1997	70	95	08.96-06.98	■	
2.0 i 16V (G4CP-DM)		Gasolina	FWD	1997	92	125	06.96-06.98	■	
3.0 i V6 (G6AT)		Gasolina	FWD	2972	107	146	05.93-06.98	■	
3.0 i V6 (G6DT)		Gasolina	FWD	2972	107	146	05.93-06.98	■	
<b>SONATA IV (EF) 03.98-12.05</b>					<b>Saloon (Executive car-E Segment)</b>				
2.0 16V (G4JP)	01/00-	Gasolina	FWD	1997	100	136	06.98-10.01	■	
2.4 16V (G4BS)	01/00-	Gasolina	FWD	2351	105	143	03.98-10.01	■	
2.5 V6 24V (G6BV)	01/00-	Gasolina	FWD	2493	118	160	06.98-10.01	■	
2.5 i V6	01/00-	Gasolina	FWD	2493	127	173	08.98-09.01	■	
<b>HYUNDAI (BEIJING)</b>									
<b>SONATA (EF) 12.02-12.16</b>					<b>Saloon (Executive car-E Segment)</b>				
2.5		Gasolina	FWD	2493	121	165	12.02-07.07	■	
<b>KIA</b>									
<b>JOICE (MTE1P) 02.00-</b>					<b>MPV (Compact MPV-M1 Segment)</b>				
2.0 (G4CP)	-12/03	Gasolina	FWD	1997	88	120	09.01-09.03	■	
2.0 (G4CP)	-12/00	Gasolina	FWD	1997	102	139	02.00-09.03	■	
<b>MAGENTIS / OPTIMA (GD, MS) 05.01-</b>					<b>Saloon (Executive car-E Segment)</b>				
1.8		Gasolina	FWD	1836	98	133	05.01-09.05	■	
2.0 (G4JP)		Gasolina	FWD	1997	100	136	05.01-09.05	■	
2.5 V6 (G6BV)		Gasolina	FWD	2493	124	169	05.01-09.05	■	
2.7 V6	-12/05	Gasolina	FWD	2656	132	180	04.04-	■	