

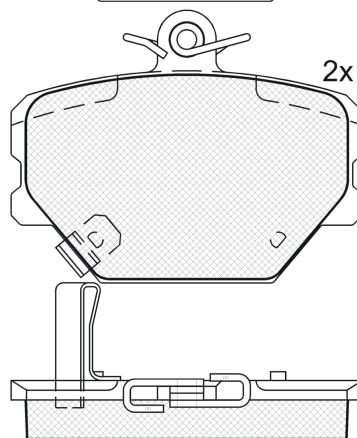
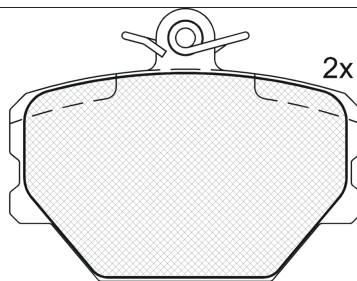
# LISTA DE APLICACIONES - BUYERS GUIDE

## 181274-704

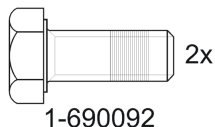


Qty: 300      Weight: 1.085

O.E.M.	MAKE
000 420 05 05	SMART
0001431-V00-2	SMART
0001431-V00-20000	SMART
0001431-V00-3	SMART
0001431-V00-30000	SMART
0001431-V00-4	SMART
0001431-V00-40000	SMART
451 421 00 10	SMART
451 421 01 10	SMART
451 421 02 10	SMART
86 60 004 752	RENAULT
86 71 016 732	RENAULT
B360 723	SMART
B360 729	SMART
C0001431-V00-2	SMART
C0001431-V00-2000	SMART
C0001431-V00-3	SMART
C0001431-V00-3000	SMART
C0001431-V00-4	SMART
C0001431-V00-4000	SMART
SM002420-9999	SMART



## 181274-704



## 181274-704



90x69.8x15.5

WVA	FMSI
21998	D1252-8370
21999	
23001	
23002	
MAKE	
SMART	



	Trac.	CC	Kw	CV			Front / Rear
--	-------	----	----	----	--	--	--------------

### SMART

#### CABRIO (450) 03.00-01.04

#### Convertible (City car-A Segment)

Model	Trac.	CC	Kw	CV	Date		
0.6 (S1OLA1, 450.441, 450.442, 450.443) (M 160 E6AL B03)	Gasolina	RWD	599	40	55	03.00-01.04	■
0.6 (S1OLA1, 450.441, 450.442, 450.443) (M 160.910)	Gasolina	RWD	599	40	55	03.00-01.04	■
0.6 (S1OLD2, 450.452) (M 160 E6AL B05)	Gasolina	RWD	599	45	61	01.01-01.04	■
0.6 (S1OLD2, 450.452) (M 160.910)	Gasolina	RWD	599	45	61	01.01-01.04	■
0.6 (450.432) (M 160.910)	Gasolina	RWD	599	52	71	06.02-01.04	■
0.7 (450.452, 450.432) (M 160.920)	Gasolina	RWD	698	45	61	01.03-01.04	■
0.7 (450.433) (M 160.920)	Gasolina	RWD	698	55	75	01.03-01.04	■
0.8 CDI (S1OLC1, 450.401, 450.402, 450.403, 450.400) (OM 660 DE 8LA)	Diesel	RWD	799	30	41	03.01-01.04	■
0.8 CDI (S1OLC1, 450.401, 450.402, 450.403, 450.400) (OM 660.940)	Diesel	RWD	799	30	41	03.01-01.04	■

#### CITY-COUPÉ (450) 07.98-01.04

#### Coupe (City car-A Segment)

Model	Trac.	CC	Kw	CV	Date		
0.6 (S1CLB1, 450.331, 450.336) (M 160 E6AL B04)	Gasolina	RWD	599	33	45	07.98-01.04	■
0.6 (S1CLB1, 450.331, 450.336) (M 160.910)	Gasolina	RWD	599	33	45	07.98-01.04	■
0.6 (S1CLA1, 450.341) (M 160 E6AL B03)	Gasolina	RWD	599	40	55	07.98-01.04	■
0.6 (S1CLA1, 450.341) (M 160.910)	Gasolina	RWD	599	40	55	07.98-01.04	■
0.6 (450.352, 450.353) (M 160 E6AL B05)	Gasolina	RWD	599	45	61	01.01-01.04	■
0.6 (450.352, 450.353) (M 160.910)	Gasolina	RWD	599	45	61	01.01-01.04	■
0.6 (450.330) (M 160.910)	Gasolina	RWD	599	52	71	06.02-01.04	■
0.7 (450.330) (M 160.920)	Gasolina	RWD	698	37	50	01.03-01.04	■
0.7 (450.352, 450.332) (M 160.920)	Gasolina	RWD	698	45	61	01.03-01.04	■
0.7 (450.333) (M 160.920)	Gasolina	RWD	698	55	75	01.03-01.04	■

# LISTA DE APLICACIONES - BUYERS GUIDE

0.8 CDI (S1CLC1, 450.300, 450.301, 450.302, 450.303,... (OM 660 DE 8LA)	Diesel	RWD	799	30	41	11.99-01.04	■
0.8 CDI (S1CLC1, 450.300, 450.301, 450.302, 450.303,... (OM 660.940)	Diesel	RWD	799	30	41	11.99-01.04	■
<b>CROSSBLADE (450) 06.02-12.03</b>				<b>Convertible (City car-A Segment)</b>			
0.6 (450.418) (M 160.910)	Gasolina	RWD	599	52	71	06.02-12.03	■
<b>FORTWO (450) 01.04-01.07</b>				<b>Convertible (City car-A Segment)</b>			
0.6 (M 160.910)	Gasolina	RWD	599	45	61	01.04-12.06	■
0.6 Brabus (450.433) (M 160.910)	Gasolina	RWD	599	55	75	01.04-12.06	■
0.7 (450.452) (M 160.920)	Gasolina	RWD	698	45	61	01.04-01.07	■
0.7 (450.433) (M 160.920)	Gasolina	RWD	698	55	75	01.04-01.07	■
0.8 CDI (450.401, 450.402, 450.403, 450.400) (OM 660 DE 8LA)	Diesel	RWD	799	30	41	01.04-01.07	■
0.8 CDI (450.401, 450.402, 450.403, 450.400) (OM 660.940)	Diesel	RWD	799	30	41	01.04-01.07	■
<b>FORTWO (450) 01.04-02.07</b>				<b>Coupe (City car-A Segment)</b>			
0.6 (450.332) (M 160.910)	Gasolina	RWD	599	45	61	01.04-02.07	■
0.7 (450.330) (M 160.920)	Gasolina	RWD	698	37	50	01.04-01.07	■
0.7 (450.335) (M 160.920)	Gasolina	RWD	698	40	54	01.04-01.07	■
0.7 (450.352, 450.332) (M 160.920)	Gasolina	RWD	698	45	61	01.04-01.07	■
0.7 (450.333) (M 160.920)	Gasolina	RWD	698	55	75	01.04-01.07	■
0.8 CDI (450.300, 450.301, 450.302, 450.303, 450.306) (OM 660.940)	Diesel	RWD	799	30	41	01.04-01.07	■
<b>FORTWO II (U.S.A.) 09.06-</b>				<b>Convertible (City car-A Segment)</b>			
electric drive	Gasolina	FWD		55	75	09.12-	■
1.0 (451.431, 451.480) (M 132.910)	Gasolina	RWD	999	52	71	01.07-	■
1.0 Turbo (451.432) (M 132.930)	Gasolina	RWD	999	62	84	01.07-	■
1.0 Brabus (451.433) (M 132.930)	Gasolina	RWD	999	72	98	01.08-	■
1.0 Turbo Brabus (451.433) (M 132.930)	Gasolina	RWD	999	75	102	07.10-	■
1.0 Brabus (M 132.930)	Gasolina	RWD	999	88	120	04.12-	■
electric drive (451.491)	Eléctrico	RWD		20	27	12.10-12.12	■
electric drive (451.491)	Eléctrico	RWD		30	41	11.09-12.11	■
electric drive (451.491)	Eléctrico	RWD		35	48	12.11-12.12	■
electric drive (451.491)	Eléctrico	RWD		55	75	01.13-	■
electric drive Brabus (451.492)	Eléctrico	RWD		60	82	01.13-	■
0.8 CDi (451.400) (OM 660.950)	Diesel	RWD	799	33	45	01.07-	■
0.8 CDi (451.401) (OM 660.951)	Diesel	RWD	799	40	54	08.09-	■
<b>FORTWO II (U.S.A.) 09.06-</b>				<b>Coupe (City car-A Segment)</b>			
electric drive	Gasolina	FWD		55	75	09.12-	■
1.0 (451.330, 451.334) (M 132.910)	Gasolina	RWD	999	45	61	01.07-	■
1.0 (451.331, 451.380) (M 132.910)	Gasolina	RWD	999	52	71	01.07-	■
1.0 Turbo (451.332) (M 132.930)	Gasolina	RWD	999	62	84	01.07-	■
1.0 Brabus (451.333) (M 132.930)	Gasolina	RWD	999	72	98	01.08-	■
1.0 Turbo Brabus (451.333) (M 132.930)	Gasolina	RWD	999	75	102	07.10-	■
1.0	Gasolina	FWD	999	88	120	01.10-	■
electric drive (451.391, 451.390)	Eléctrico	RWD		20	27	12.10-12.12	■
electric drive (451.391, 451.390)	Eléctrico	RWD		30	41	11.09-12.11	■
electric drive (451.391, 451.390)	Eléctrico	RWD		35	48	12.11-12.12	■
electric drive (451.391, 451.390)	Eléctrico	RWD		55	75	01.13-	■
electric drive Brabus (451.492)	Eléctrico	RWD		60	82	01.13-	■
0.8 CDi (451.300) (OM 660.950)	Diesel	RWD	799	33	45	01.07-	■
0.8 CDi (451.301) (OM 660.951)	Diesel	RWD	799	40	54	08.09-	■

# LISTA DE APLICACIONES - BUYERS GUIDE

<b>ROADSTER (452) 04.03-11.05</b>					<b>Convertible (City car-A Segment)</b>			
0.7 (452.432) (M 160.921)		Gasolina	RWD	698	45	61	04.03-11.05	■
0.7 (452.434) (M 160.922)		Gasolina	RWD	698	60	82	04.03-11.05	■
0.7 Brabus (452.437) (M 160.923)		Gasolina	RWD	698	74	101	12.03-11.05	■
<b>ROADSTER (452) 04.03-11.05</b>					<b>Coupe (City car-A Segment)</b>			
0.7 (452.332) (M 160.922)		Gasolina	RWD	698	45	61	06.03-11.05	■
0.7 (452.334) (M 160.921)		Gasolina	RWD	698	60	82	04.03-11.05	■
0.7 Brabus (452.337) (M 160.923)		Gasolina	RWD	698	74	101	12.03-11.05	■