

LISTA DE APLICACIONES - BUYERS GUIDE

181276

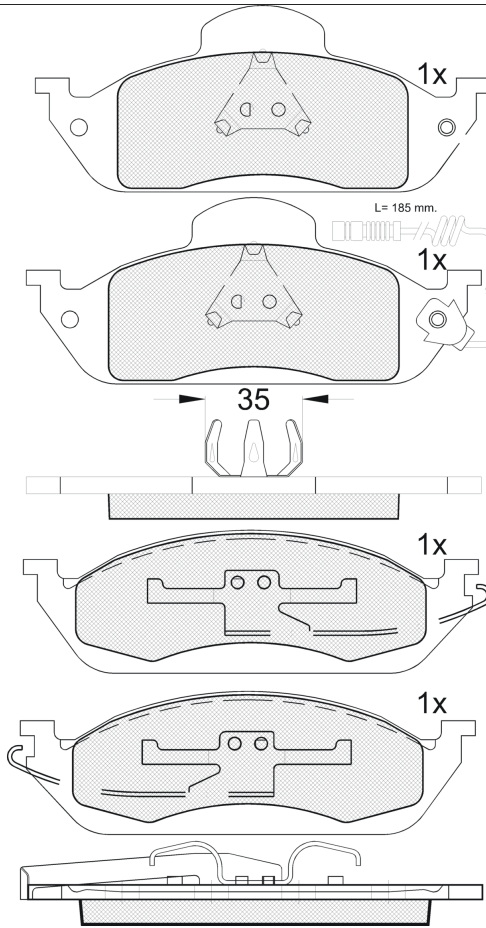


8 424073 059000

Qty: 300

Weight: 2.456

| O.E.M. | MAKE |
|----------------|---------------|
| 163 420 00 20 | MERCEDES-BENZ |
| 163 420 03 20 | MERCEDES-BENZ |
| 163 420 12 20 | MERCEDES-BENZ |
| 416 342 00 32 | MERCEDES-BENZ |
| A163 420 00 20 | MERCEDES-BENZ |
| A163 420 03 20 | MERCEDES-BENZ |
| A163 420 12 20 | MERCEDES-BENZ |
| A416 342 00 32 | MERCEDES-BENZ |



181276

E1 90R-01101/213



Bosch

187.9x59.05x17.3

187.9x77.25x17.3

| WVA | FMSI |
|---------------|-----------|
| 21901 | D760-7628 |
| 21902 | |
| 21903 | |
| 23193 | |
| 23194 | |
| MAKE | |
| MERCEDES-BENZ | |



| Trac. | CC | Kw | CV |
|-------|----|----|----|
|-------|----|----|----|



Front / Rear

MERCEDES-BENZ

M-Class (W163) 02.98-12.06

SUV (Executive SUV-J Segment)

| Model | Year | Engine | Trac. | CC | Kw | CV | Period | Notes | |
|----------------------|--------------|-----------------------------|----------|-----|------|-----|--------|-------------|---|
| ML 230 (163.136) | (M 111.977) | -12/00 | Gasolina | 4WD | 2295 | 110 | 150 | 02.98-06.05 | ■ |
| ML 320 (163.154) | (M 112.942) | -12/00, -ch A289559/X754619 | Gasolina | 4WD | 3199 | 160 | 218 | 02.98-06.03 | ■ |
| ML 350 (163.157) | (M 112.970) | -12/00, -ch A289558/X754619 | Gasolina | 4WD | 3724 | 173 | 235 | 02.03-06.05 | ■ |
| ML 430 (163.172) | (M 113.942) | -12/00, -ch A145272/X707755 | Gasolina | 4WD | 4266 | 200 | 272 | 02.98-06.05 | ■ |
| ML 270 CDI (163.113) | (OM 612.963) | -12/00, -ch A289558/X754619 | Diesel | 4WD | 2685 | 120 | 163 | 12.99-06.05 | ■ |