

LISTA DE APLICACIONES - BUYERS GUIDE

181277

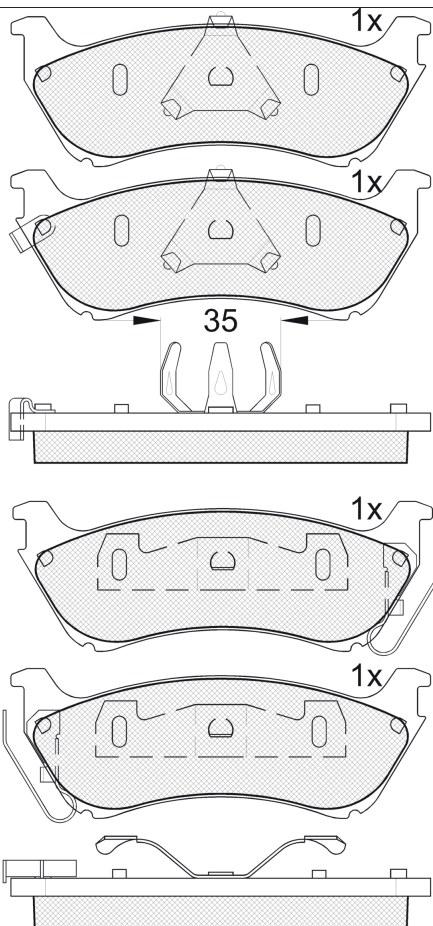


8 424073 059017

Qty: 944

Weight: 1.476

O.E.M.	MAKE
163 420 01 20	MERCEDES-BENZ
163 420 04 20	MERCEDES-BENZ



181277

E1 90R-01100/215



Bosch

140.15x50x16.7

WVA	FMSI
21895	D761-7629
21896	
23189	
23190	
23191	
MAKE	
MERCEDES-BENZ	



Trac.	CC	Kw	CV
-------	----	----	----



Front / Rear

MERCEDES-BENZ

M-Class (W163) 02.98-12.06

SUV (Executive SUV-J Segment)

ML 230 (163.136) (M 111.977)	-12/98	Gasolina	4WD	2295	110	150	02.98-06.05	■
ML 320 (163.154) (M 112.942)	-12/98	Gasolina	4WD	3199	160	218	02.98-06.03	■