

LISTA DE APLICACIONES - BUYERS GUIDE

181287-703

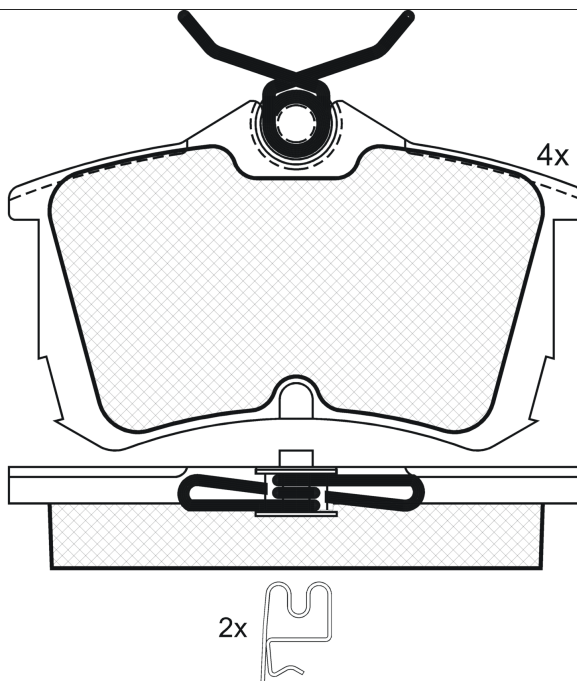


8 424073 058317

Qty: 944

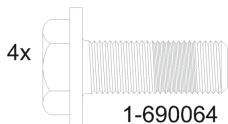
Weight: 960

O.E.M.	MAKE
43022-S1A-E02	HONDA
43022-S1A-E03	HONDA
43022-S1A-E04	HONDA
43022-S1A-E30	HONDA
43022-S1A-E50	HONDA
43022-SEA-E01	HONDA
43022-SEA-E10	HONDA



1 - Ref. 610097 E

181287-703



181287-703

E 9 90R-01110/366



Lucas - Girling

87.15x53.3x15.3

WVA	FMSI
23527	D1973-9200
23684	
MAKE	
HONDA	



Trac.	CC	Kw	CV
-------	----	----	----



Front / Rear

HONDA

								Coupe ()	
(CS_) 01.08-09.12									
3.5 (J35Z2)	-12/08	Gasolina	FWD	3471	202	275	09.08-12.12		■
ACCORD VI (CG) 12.97-06.03								Coupe (Executive car-E Segment)	
2.3 VTi (CG3) (F23A3)		Gasolina	FWD	2254	113	154	02.98-10.02		■
ACCORD VI (CH, CL) 12.99-12.02								Hatchback (Executive car-E Segment)	
1.6 (CH5) (D16B6)		Gasolina	FWD	1590	85	116	12.99-12.02		■
1.8 i (CH6) (F18B2)		Gasolina	FWD	1850	100	136	12.99-12.02		■
1.8 i (CH6) (F18B4)		Gasolina	FWD	1850	100	136	12.99-12.02		■
2.0 (CH7) (F20B6)		Gasolina	FWD	1997	108	147	12.99-12.02		■
2.3 (CL4) (F23Z5)		Gasolina	FWD	2254	113	154	11.00-12.02		■
2.0 TDi (CH8) (20T2N)		Diesel	FWD	1994	77	105	12.99-10.00		■
ACCORD VI (CK, CG, CH, CF, CL) 03.97-12.03								Saloon (Executive car-E Segment)	
1.8 i (CG8) (F18B2)	-12/01	Gasolina	FWD	1850	100	136	10.98-12.02		■
2.0 i (CG9) (F20B6)		Gasolina	FWD	1997	108	147	10.98-01.01		■
2.2 Type-R (CH1) (H22A7)		Gasolina	FWD	2156	156	212	02.99-12.02		■
2.3		Gasolina	FWD	2254	104	141	07.01-02.03		■
2.3 (CG5, CF9, CF0, CF1, CF2) (F23A1)		Gasolina	FWD	2254	110	150	03.97-01.99		■
2.3 (CG5, CF9, CF0, CF1, CF2) (F23A2)		Gasolina	FWD	2254	110	150	03.97-01.99		■
2.3 (F23A1)		Gasolina	FWD	2254	112	152	03.97-03.03		■
2.3 (F23Z5)		Gasolina	FWD	2254	112	152	03.97-03.03		■
2.3 (CL3, S86) (F23A1)		Gasolina	FWD	2254	113	154	01.01-06.03		■
2.3 (CL3, S86) (F23W5)		Gasolina	FWD	2254	113	154	01.01-06.03		■
2.3 (CL3, S86) (F23X5)		Gasolina	FWD	2254	113	154	01.01-06.03		■

LISTA DE APLICACIONES - BUYERS GUIDE

2.3 (CL3, S86) (F23Z5)		Gasolina	FWD	2254	113	154	01.01-06.03	■	
2.4		Gasolina	FWD	2354	118	160	01.99-12.99	■	
2.0 Turbo DI (CH2) (20T2N)	-12/00	Diesel	FWD	1994	77	105	02.99-12.02	■	
ACCORD VI Aerodeck (CF) 07.97-09.05					Estate (Executive car-E Segment)				
2.3 16 V (CF6) (F23A7)		Gasolina	FWD	2254	118	160	02.98-12.02	■	
2.4 Vtec E		Gasolina	FWD	2354	118	160	09.03-09.05	■	
ACCORD VII (CM) 07.03-					Coupe (Compact executive car-D Segment)				
2.4		Gasolina	FWD	2354	118	160	07.03-03.06	■	
2.4		Gasolina	FWD	2354	122	166	04.06-07.08	■	
3.0 VTi- Vtec	-12/08	Gasolina	FWD	2997	177	241	04.06-	■	
ACCORD VII (CM, UC) 09.02-05.08					Saloon (Executive car-E Segment)				
2.4 Vtec E (CM5) (K24A2)		Gasolina	FWD	2354	118	160	09.02-12.05	■	
2.4 Vtec E (CM5) (K24A4)		Gasolina	FWD	2354	118	160	09.02-12.05	■	
2.4 Vtec E (CM5)		Gasolina	FWD	2354	125	170	06.06-01.08	■	
3.0 (CM6) (J30A4)		Gasolina	FWD	2997	177	241	05.03-12.05	■	
ACCORD VII / ACCOR EURO (CL, CN) 01.03-09.12					Saloon (Executive car-E Segment)				
2.0 (CL7) (K20A6)		Gasolina	FWD	1998	114	155	02.03-05.08	■	
2.0 A las 4 ruedas (CL8) (K20A6)		Gasolina	4WD	1998	114	155	02.03-05.08	■	
2.0 EURO R		Gasolina	FWD	1998	160	218	06.03-12.08	■	
2.0 R		Gasolina	FWD	1998	162	220	01.03-05.08	■	
2.4 (CL9) (K24A8)		Gasolina	FWD	2354	113	154	09.06-05.08	■	
2.4 i 16V		Gasolina	FWD	2354	115	156	02.03-05.08	■	
2.4 Vtec		Gasolina	FWD	2354	122	166	04.06-07.08	■	
2.4		Gasolina	FWD	2354	124	169	01.06-07.08	■	
2.4 (K24A)		Gasolina	FWD	2354	132	180	01.08-09.12	■	
2.4 (CL9) (K24A)		Gasolina	FWD	2354	140	190	02.03-05.08	■	
2.4 (CL9) (K24A3)		Gasolina	FWD	2354	140	190	02.03-05.08	■	
3.0 (J30A5)		Gasolina	FWD	2997	182	247	04.06-05.08	■	
2.2 i-CTDi (CN1) (N22A1)		Diesel	FWD	2204	103	140	01.04-05.08	■	
ACCORD VII Tourer (CM, CN) 11.02-05.08					Estate (Compact executive car-D Segment)				
2.0 (CM1) (K20A6)		Gasolina	FWD	1998	114	155	04.03-05.08	■	
2.4 Vtec E		Gasolina	FWD	2354	118	160	09.03-09.05	■	
2.4 (CM2) (K24A3)		Gasolina	FWD	2354	140	190	04.03-05.08	■	
2.4 Vtec T (CM2) (K24A1)		Gasolina	FWD	2354	147	200	09.03-05.08	■	
2.2 i-CTDi (CN2) (N22A1)		Diesel	FWD	2204	103	140	01.04-05.08	■	