

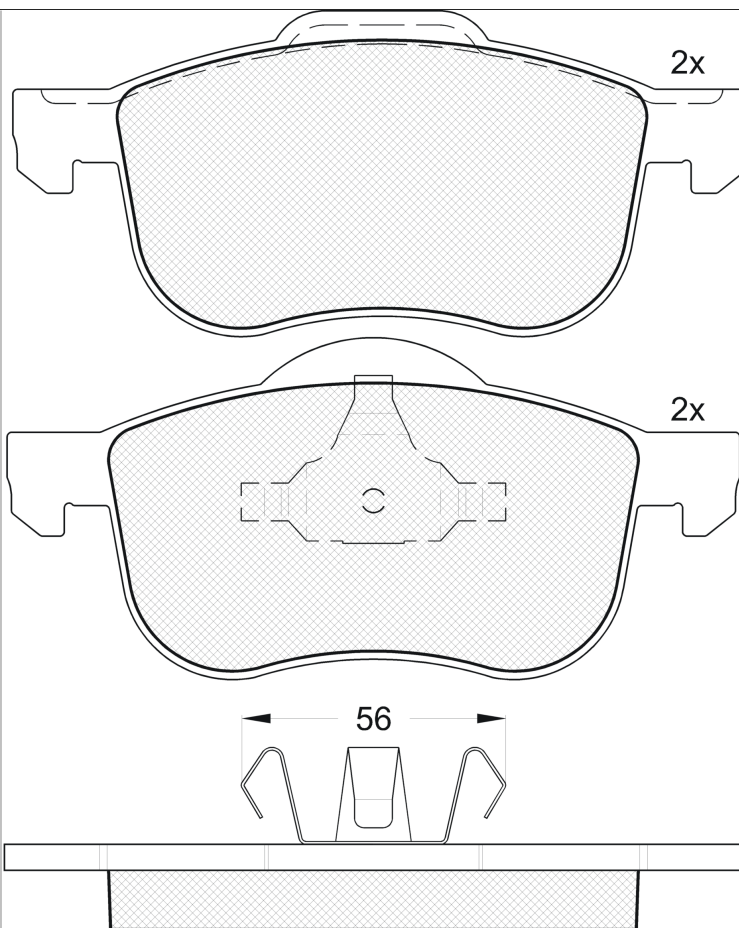
LISTA DE APLICACIONES - BUYERS GUIDE

181297



Qty: 300

Weight: 1.985



181297

E 9 90R-01111/123



Ate - Teves

155.1x72.4x18.8

156.4x68.9x18.8

O.E.M.	MAKE
2 724 01	VOLVO
2 724 01 1	VOLVO
2 743 35	VOLVO
3 064 838 5	VOLVO
3 064 838 6	VOLVO
3 064 838 7	VOLVO
3 126 250 6	VOLVO
8 623 861 0	VOLVO
8 634 921	VOLVO
8 634 921 0	VOLVO
8 634 921 4	VOLVO

WVA	FMSI
23072	D794-7664
23073	
23074	
23464	
23465	

MAKE
VOLVO



Trac.	CC	Kw	CV
-------	----	----	----



Front / Rear

VOLVO

S60 (384) 07.00-04.10							Saloon (Compact executive car-D Segment)		
2.0 T (B 5204 T5)		Gasolina	FWD	1984	132	180	07.00-04.10	■	
T5 (B 5234 T3)		Gasolina	FWD	2319	184	250	07.00-04.10	■	
T5 (B 5234 T7)		Gasolina	FWD	2319	195	265	07.00-09.02	■	
T5 (B 5244 T5)		Gasolina	FWD	2401	191	260	04.04-04.10	■	
2.4 (B 5244 S2)		Gasolina	FWD	2435	103	140	07.00-04.10	■	
2.4 (B 5244 S)		Gasolina	FWD	2435	125	170	11.00-04.10	■	
2.4 (B 5244 T4)		Gasolina	FWD	2435	132	180	01.05-10.06	■	
2.4 T (B 5244 T3)		Gasolina	FWD	2435	147	200	07.00-04.10	■	
2.4 T AWD (B 5244 T3)		Gasolina	4WD	2435	147	200	06.01-04.10	■	
2.5 T (B 5254 T2)		Gasolina	FWD	2521	154	210	01.03-04.10	■	
2.5 T AWD (B 5254 T2)		Gasolina	4WD	2521	154	210	07.02-04.10	■	
2.5	Rim 15	Gasolina	FWD	2521	224	300	09.03-04.10	■	
2.4 Bifuel (LPG) (B 5244 SG2)		Gasol./Gas (LPG)	FWD	2435	103	140	07.01-04.10	■	
2.4 Bifuel (CNG) (B 5244 SG)		Gasol./Gas (CNG)	FWD	2435	103	140	07.01-04.10	■	
2.4 D (D 5244 T7)		Diesel	FWD	2400	93	126	03.05-04.10	■	
2.4 D (D 5244 T5)	01/07-	Diesel	FWD	2400	120	163	07.05-12.09	■	
2.4 CDI (D 5244 T3)		Diesel	FWD	2401	85	116	10.03-12.05	■	
2.4 D (D 5244 T6)		Diesel	FWD	2401	90	122	05.05-12.06	■	
2.4 D (D 5244 T2)		Diesel	FWD	2401	96	130	05.01-04.10	■	
D5 (D 5244 T)		Diesel	FWD	2401	120	163	01.01-04.10	■	
D5 (D 5244 T4)		Diesel	FWD	2401	136	185	03.05-04.10	■	

LISTA DE APLICACIONES - BUYERS GUIDE

S70 (874) 11.96-11.00					Saloon (Compact executive car-D Segment)			
2.0 (B 5204 T4)		Gasolina	FWD	1984	120	163	01.97-11.00	■
S80 (184) 05.98-02.08					Saloon (Executive car-E Segment)			
2.0 (B 5204 T4)		Gasolina	FWD	1984	120	163	06.98-07.06	■
2.0 T (B 5204 T5)		Gasolina	FWD	1984	132	180	12.99-07.06	■
2.0 T (B 5204 T3)		Gasolina	FWD	1984	166	226	06.98-07.06	■
2.3 R (B 5234 T7)		Gasolina	FWD	2319	195	265	04.00-08.05	■
2.4 (B 5244 S2)		Gasolina	FWD	2435	103	140	01.99-07.06	■
2.4 (B 5244 S)		Gasolina	FWD	2435	125	170	01.99-07.06	■
2.4 LTP	-12/05	Gasolina	FWD	2435	132	179	06.04-07.06	■
2.4 T (B 5244 T3)		Gasolina	FWD	2435	147	200	06.00-07.06	■
T5 AWD (B 5244 T3)		Gasolina	4WD	2435	147	200	04.00-09.03	■
2.5 T (B 5254 T2)		Gasolina	FWD	2521	154	210	03.03-07.06	■
2.5 T AWD (B 5254 T2)		Gasolina	4WD	2521	154	210	07.03-07.06	■
T6 (B 6284 T)		Gasolina	FWD	2783	200	272	05.98-12.01	■
2.9		Gasolina	FWD	2922	144	196	05.98-02.08	■
3.0 (B 6294 S2)		Gasolina	FWD	2922	144	196	06.01-07.06	■
2.9 (B 6294 S)		Gasolina	FWD	2922	147	200	03.99-07.06	■
2.9 (B 6304 S3)		Gasolina	FWD	2922	150	204	05.98-07.06	■
T6 (B 6294 T)		Gasolina	FWD	2922	200	272	06.01-07.06	■
T6		Gasolina	FWD	2922	200	272	06.01-07.06	■
2.4 Bifuel (LPG) (B 5244 SG)		Gasol./Gas (LPG)	FWD	2435	103	140	09.01-07.06	■
2.4 Bifuel (CNG) (B 5244 SG2)		Gasol./Gas (CNG)	FWD	2435	103	140	09.01-07.06	■
2.4 D (D 5244 T2)		Diesel	FWD	2401	96	131	10.01-07.06	■
D5 (D 5244 T)		Diesel	FWD	2401	120	163	08.01-07.06	■
2.5 TDI (D 5252 T)		Diesel	FWD	2460	103	140	01.99-07.06	■
V70 (875, 876) 12.95-12.00					Estate (Executive car-E Segment)			
2.0 (B 5202 FS)	01/99-	Gasolina	FWD	1984	93	126	12.95-03.00	■
2.0 (B 5202 S)	01/99-	Gasolina	FWD	1984	93	126	12.95-03.00	■
2.0 (B 5204 F)	01/99-	Gasolina	FWD	1984	105	143	12.95-03.00	■
2.0 (B 5204 T4)	01/99-	Gasolina	FWD	1984	120	163	01.97-12.00	■
2.3 T AWD (B 5234 T4)	01/99-	Gasolina	4WD	2319	184	250	04.97-03.00	■
2.3 Turbo (B 5234 T4)	01/99-	Gasolina	FWD	2319	184	250	12.95-03.00	■
2.3 AWD (B 5234 T7)		Gasolina	4WD	2319	195	265	12.98-02.00	■
2.3 AWD (B 5234 T8)		Gasolina	4WD	2319	195	265	12.98-02.00	■
2.4 (B 5244 S2)		Gasolina	FWD	2435	103	140	03.99-12.00	■
2.4 (B 5244 SG2)		Gasolina	FWD	2435	103	140	03.99-12.00	■
2.4 (B 5252 FS)	01/99-	Gasolina	FWD	2435	106	144	12.95-03.00	■
2.4 (B 5254 S)	01/99-	Gasolina	FWD	2435	121	165	06.98-12.99	■
2.4 (B 5244 S)	01/99-	Gasolina	FWD	2435	125	170	12.95-05.00	■
2.4 (B 5254 FS)	01/99-	Gasolina	FWD	2435	125	170	12.95-05.00	■
2.4 (B 5254 S)	01/99-	Gasolina	FWD	2435	125	170	12.95-05.00	■
2.4 Turbo		Gasolina	FWD	2435	195	265	05.99-02.00	■
2.4 Turbo AWD (B 5244 T2)		Gasolina	4WD	2435	195	265	03.99-12.00	■
2.4 Bifuel (B 5244 SG)		Gasol./Gas (CNG)	FWD	2435	103	140	08.99-12.00	■
2.5 TDI (D 5252 T)	01/99-	Diesel	FWD	2460	103	140	12.95-12.00	■
2.5 TDi AWD (D 5252 T)	01/99-	Diesel	4WD	2460	103	140	11.96-02.00	■

LISTA DE APLICACIONES - BUYERS GUIDE

V70 II (285) 11.99-12.08					Estate (Executive car-E Segment)			
2.0 T (B 5204 T5)		Gasolina	FWD	1984	132	180	11.99-08.07	■
T5 (B 5234 T3)	01/01-	Gasolina	FWD	2319	184	250	11.99-12.04	■
2.3		Gasolina	FWD	2319	195	265	10.00-09.04	■
2.3 (B 5234 T7)		Gasolina	FWD	2319	195	265	10.00-09.04	■
T5 (B 5244 T5)		Gasolina	FWD	2401	191	260	04.04-08.07	■
2.4 (B 5244 S2)		Gasolina	FWD	2435	103	140	03.00-08.07	■
2.4		Gasolina	FWD	2435	121	165	03.00-09.03	■
2.4		Gasolina	FWD	2435	121	165	03.00-09.03	■
2.4 (B 5244 S)		Gasolina	FWD	2435	125	170	03.00-08.07	■
2.4 T (B 5244 T3)		Gasolina	FWD	2435	147	200	11.99-08.03	■
2.4 T AWD (B 5244 T3)		Gasolina	4WD	2435	147	200	09.01-08.02	■
2.5 T (B 5254 T2)		Gasolina	FWD	2521	154	209	07.01-08.07	■
2.5 T AWD (B 5254 T2)		Gasolina	4WD	2521	154	209	07.02-08.07	■
2.4 Bifuel (LPG) (B 5244 SG2)		Gasol./Gas (LPG)	FWD	2435	103	140	09.01-08.07	■
2.4 Bifuel (CNG) (B 5244 SG)		Gasol./Gas (CNG)	FWD	2435	103	140	09.01-08.07	■
2.4 D (D 5244 T7)		Diesel	FWD	2400	93	126	04.05-12.08	■
2.4 D5		Diesel	FWD	2400	120	163	08.05-07.07	■
2.4 CDI (D 5244 T6)		Diesel	FWD	2401	90	122	07.05-12.08	■
2.4 D (D 5244 T2)		Diesel	FWD	2401	96	131	07.01-08.07	■
D5 (D 5244 T)		Diesel	FWD	2401	120	163	01.01-12.08	■
D5 (D 5244 T2)		Diesel	FWD	2401	120	163	01.01-12.08	■
D5 (D 5244 T5)		Diesel	FWD	2401	120	163	01.01-12.08	■
D5 AWD (D 5244 T)		Diesel	4WD	2401	120	163	07.02-08.07	■
D5 AWD (D 5244 T2)		Diesel	4WD	2401	120	163	07.02-08.07	■
D5 AWD (D 5244 T5)		Diesel	4WD	2401	120	163	07.02-08.07	■
D5 (D 5244 T4)		Diesel	FWD	2401	136	185	04.05-12.08	■
D5 AWD (D 5244 T4)		Diesel	4WD	2401	136	185	05.05-08.07	■
2.5 TDI (D 5252 T)		Diesel	FWD	2460	103	140	11.99-08.07	■
XC70 CROSS COUNTRY / V70 XC (295) 10.97-10.07					Estate (Executive car-E Segment)			
2.4	01/01-	Gasolina	FWD	2435	121	165	03.00-09.03	■
2.4 T XC AWD (B 5244 T3)	01/01-	Gasolina	4WD	2435	147	200	03.00-09.02	■
2.5 T XC AWD (B 5254 T2)	Great Britain, Rim 17, Rim 15,16	Gasolina	4WD	2521	154	209	09.02-08.07	■
D5 XC AWD (D 5244 T)		Diesel	4WD	2401	120	163	09.02-08.07	■
D5 AWD (D 5244 T4)		Diesel	4WD	2401	136	185	12.05-08.07	■