

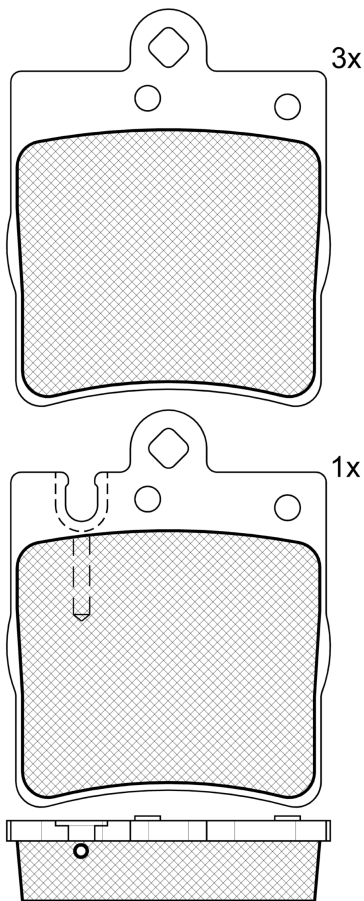
LISTA DE APLICACIONES - BUYERS GUIDE

181312-396



Qty: 944 Weight: 790

O.E.M.	MAKE
003 420 28 20	MERCEDES-BENZ



181312-396



E1 90R-01100/312

Ate - Teves

63.7x78.1x15.8

WVA	FMSI
21898	D873-7748
21899	
MAKE	
MERCEDES-BENZ	



Trac.	CC	Kw	CV		
					Front / Rear

MERCEDES-BENZ

C-Class II (CL203) 03.01-06.11						Coupe (Compact executive car-D Segment)				
C 220 (M 271.940)		Gasolina	RWD	1796	120	163	05.02-05.08			■
C 200 CGI Kompressor (203.743) (M 271.942)	-12/07	Gasolina	RWD	1796	125	170	03.03-05.08			■
C 230 Kompressor (203.747) (M 271.948)	-12/07	Gasolina	RWD	1796	141	192	05.02-05.08			■
C 230 Kompressor (203.747) (M 111.981)		Gasolina	RWD	2295	145	197	03.01-05.02			■
C 230 (203.752) (M 272.920)		Gasolina	RWD	2496	150	204	01.05-05.08			■
C 320 (203.764) (M 112.946)		Gasolina	RWD	3199	160	218	09.02-05.08			■
C 350 (203.756) (M 272.960)		Gasolina	RWD	3498	200	272	01.05-05.08			■
C 200 CDI (203.707) (OM 646.962)		Diesel	RWD	2148	90	122	03.03-05.08			■
C 30 CDI AMG (203.718) (OM 612.990)	01/03-	Diesel	RWD	2950	170	231	09.02-05.08			■
C-Class II (W203) 05.00-12.07						Saloon (Compact executive car-D Segment)				
C 180 Kompressor (203.046) (M 271.946)		Gasolina	RWD	1796	105	143	05.02-02.07			■
C 200 Kompressor (203.045) (M 271.940)		Gasolina	RWD	1796	120	163	05.02-02.07			■
C 200 CGI Kompressor (203.743) (M 271.942)		Gasolina	RWD	1796	125	170	07.03-02.07			■
C 230 Kompressor (203.040) (M 271.948)		Gasolina	RWD	1796	141	192	02.04-02.07			■
C 230 (203.052) (M 272.920)		Gasolina	RWD	2496	150	204	01.05-02.07			■
C 240 (203.061) (M 112.912)		Gasolina	RWD	2597	125	170	05.00-02.07			■
C 240 4-matic (203.081) (M 112.916)		Gasolina	4WD	2597	125	170	07.02-02.07			■
C 280 (203.054) (M 272.940)		Gasolina	RWD	2996	170	231	01.05-02.07			■
C 280 4-matic (203.092) (M 272.941)		Gasolina	4WD	2996	170	231	01.05-02.07			■
C 320 (203.064) (M 112.946)		Gasolina	RWD	3199	160	218	05.00-02.07			■
C 320 4-matic (203.084) (M 112.953)		Gasolina	4WD	3199	160	218	07.02-02.07			■
3.5 (203.056) (M 272.960)		Gasolina	RWD	3498	170	231	01.05-02.07			■

LISTA DE APLICACIONES - BUYERS GUIDE

C 350 (203.056) (M 272.960)		Gasolina	RWD	3498	200	272	01.05-02.07	■	
C 350 4-matic (203.087) (M 272.960)		Gasolina	4WD	3498	200	272	01.05-02.07	■	
C 350 4-matic (203.087) (M 272.970)		Gasolina	4WD	3498	200	272	01.05-02.07	■	
C 200 CDI (203.004) (OM 611.962)		Diesel	RWD	2148	85	116	09.00-06.03	■	
C 200 CDI (203.007) (OM 646.962)		Diesel	RWD	2148	90	122	04.03-02.07	■	
C 200 CDI (203.007) (OM 646.963)		Diesel	RWD	2148	90	122	04.03-02.07	■	
C 220 CDI (203.006, 203.008) (OM 611.962)		Diesel	RWD	2148	105	143	05.00-02.07	■	
C 220 CDI (203.006, 203.008) (OM 646.963)		Diesel	RWD	2148	105	143	05.00-02.07	■	
C 220 CDI (203.008) (OM 646.963)		Diesel	RWD	2148	110	150	04.03-02.07	■	
C 270 CDI (203.016) (OM 612.962)		Diesel	RWD	2685	120	163	12.00-02.07	■	
C 270 CDI (203.016) (OM 612.962)		Diesel	RWD	2685	125	170	12.00-02.07	■	
C-Class II T-Model (S203) 03.01-08.07					Estate (Compact executive car-D Segment)				
C 180 Kompressor (203.246) (M 271.946)		Gasolina	RWD	1796	105	143	05.02-08.07	■	
C 200 Kompressor (203.245) (M 271.940)		Gasolina	RWD	1796	120	163	05.02-08.07	■	
C 200 CGI Kompressor (203.743) (M 271.942)		Gasolina	RWD	1796	125	170	07.03-08.07	■	
C 230 Kompressor (203.240) (M 271.948)		Gasolina	RWD	1796	141	192	02.04-08.07	■	
C 180 (203.235) (M 111.951)		Gasolina	RWD	1998	95	129	03.01-05.02	■	
C 200 Kompressor (203.245) (M 111.955)		Gasolina	RWD	1998	120	163	03.01-05.02	■	
C 230 (203.252) (M 272.920)		Gasolina	RWD	2496	150	204	01.05-08.07	■	
C 240 (203.261) (M 112.912)		Gasolina	RWD	2597	125	170	03.01-08.07	■	
C 240 4-matic (203.281) (M 112.916)		Gasolina	4WD	2597	125	170	07.02-08.07	■	
C 280 (203.254) (M 272.940)		Gasolina	RWD	2996	170	231	01.05-08.07	■	
C 280 4-matic (203.292) (M 272.941)		Gasolina	4WD	2996	170	231	01.05-08.07	■	
C 320 (203.264) (M 112.946)		Gasolina	RWD	3199	160	218	03.01-08.07	■	
C 320 4-matic (203.284) (M 112.953)		Gasolina	4WD	3199	160	218	07.02-08.07	■	
C 350 (203.256) (M 272.960)		Gasolina	RWD	3498	200	272	01.05-08.07	■	
C 350 4-matic (203.287) (M 272.970)		Gasolina	4WD	3498	200	272	01.05-08.07	■	
C 200 CDI (203.204) (OM 611.962)		Diesel	RWD	2148	75	102	03.01-08.07	■	
C 200 CDI (203.204) (OM 646.962)		Diesel	RWD	2148	75	102	03.01-08.07	■	
C 200 CDI (203.204) (OM 611.962)		Diesel	RWD	2148	85	116	03.01-08.07	■	
C 200 CDI (203.207) (OM 646.962)		Diesel	RWD	2148	90	122	04.03-08.07	■	
C 200 CDI (203.207) (OM 646.963)		Diesel	RWD	2148	90	122	04.03-08.07	■	
C 220 CDI (203.208) (OM 646.963)		Diesel	RWD	2148	100	136	08.06-08.07	■	
C 220 CDI (203.206, 203.208) (OM 611.962)		Diesel	RWD	2148	105	143	03.01-08.07	■	
C 220 CDI (203.208) (OM 646.963)		Diesel	RWD	2148	110	150	02.04-08.07	■	
C 270 CDI (203.216) (OM 612.962)		Diesel	RWD	2685	120	163	03.01-08.07	■	
C 270 CDI (203.216) (OM 612.962)		Diesel	RWD	2685	125	170	03.01-08.07	■	
C 320 CDI (203.220) (OM 642.910)		Diesel	RWD	2987	165	224	06.05-08.07	■	
CLC-Class (CL203) 05.08-06.11					Coupe (Compact executive car-D Segment)				
CLC 200 Kompressor (203.741) (M 271.957)		Gasolina	RWD	1796	135	184	05.08-06.11	■	
CLC 230 (203.752) (M 272.920)		Gasolina	RWD	2496	150	204	05.08-06.11	■	
CLC 250 (203.752) (M 272.920)		Gasolina	RWD	2496	150	204	06.09-06.11	■	
CLC 350 (203.756) (M 272.960)		Gasolina	RWD	3498	200	272	05.08-06.11	■	
CLK-Class II (A209) 06.02-12.13					Convertible (Executive car-E Segment)				
CLK 200 Kompressor (209.442) (M 271.940)		Gasolina	RWD	1796	120	163	02.03-03.10	■	
CLK 200 Kompressor (209.442) (M 271.955)		Gasolina	RWD	1796	135	184	10.06-03.10	■	
CLK 240 (209.461) (M 112.912)		Gasolina	RWD	2597	125	170	02.03-03.10	■	
CLK 280 (209.454) (M 272.940)		Gasolina	RWD	2996	170	231	01.05-03.10	■	
CLK 320 (209.465) (M 112.955)		Gasolina	RWD	3199	160	218	02.03-03.10	■	
CLK 350 (209.456) (M 272.960)		Gasolina	RWD	3498	200	272	01.05-03.10	■	

LISTA DE APLICACIONES - BUYERS GUIDE

CLK 320 CDI (209.420) (OM 642.910)		Diesel	RWD	2987	165	224	03.05-03.10	■	
CLK-Class II (C209) 05.02-12.13					Coupe (Executive car-E Segment)				
CLK 200 Kompressor (209.442) (M 271.940)		Gasolina	RWD	1796	120	163	09.02-05.09	■	
CLK 200 CGI (209.343) (M 271.942)		Gasolina	RWD	1796	125	170	07.03-05.09	■	
CLK 200 Kompressor (209.442) (M 271.955)		Gasolina	RWD	1796	135	184	10.06-05.09	■	
CLK 240 (209.361) (M 112.912)		Gasolina	RWD	2597	120	163	06.02-05.09	■	
CLK 240 (209.361) (M 112.912)		Gasolina	RWD	2597	125	170	06.02-05.09	■	
CLK 280 (209.354) (M 272.940)		Gasolina	RWD	2996	170	231	01.05-05.09	■	
CLK 320 (209.365) (M 112.955)		Gasolina	RWD	3199	160	218	06.02-05.09	■	
CLK 350 (209.356) (M 272.960)		Gasolina	RWD	3498	200	272	01.05-05.09	■	
CLK 220 CDI (209.308) (OM 646.966)		Diesel	RWD	2148	110	150	01.05-05.09	■	
CLK 270 CDI (209.316) (OM 612.967)		Diesel	RWD	2685	120	163	02.03-06.05	■	
CLK 270 CDI (209.316) (OM 612.962)		Diesel	RWD	2685	125	170	10.02-05.09	■	
CLK 270 CDI (209.316) (OM 612.967)		Diesel	RWD	2685	125	170	10.02-05.09	■	
CLK 320 CDI (209.320) (OM 642.910)		Diesel	RWD	2987	165	224	01.05-05.09	■	
E-Class II T-Model (S210) 06.96-03.03					Estate (Executive car-E Segment)				
E 300 T Turbo-D (210.225) (OM 606.962)		Diesel	RWD	2996	130	177	12.96-07.99	■	
SLK-Class II (R171) 03.04-12.15					Convertible (Sports car-S Segment)				
200 Kompressor (171.445) (M 271.944)		Gasolina	RWD	1796	120	163	03.04-02.11	■	
200 Kompressor (171.445) (M 271.954)		Gasolina	RWD	1796	135	184	01.08-02.11	■	
280 (171.454) (M 272.942)		Gasolina	RWD	2996	170	231	01.05-02.11	■	
300 (171.454) (M 272.942)		Gasolina	RWD	2996	170	231	04.09-02.11	■	
350 (171.456) (M 272.963)	-12/08	Gasolina	RWD	3498	200	272	06.04-02.11	■	
350 (171.458) (M 272.969)		Gasolina	RWD	3498	224	305	01.08-02.11	■	