

LISTA DE APLICACIONES - BUYERS GUIDE

181329

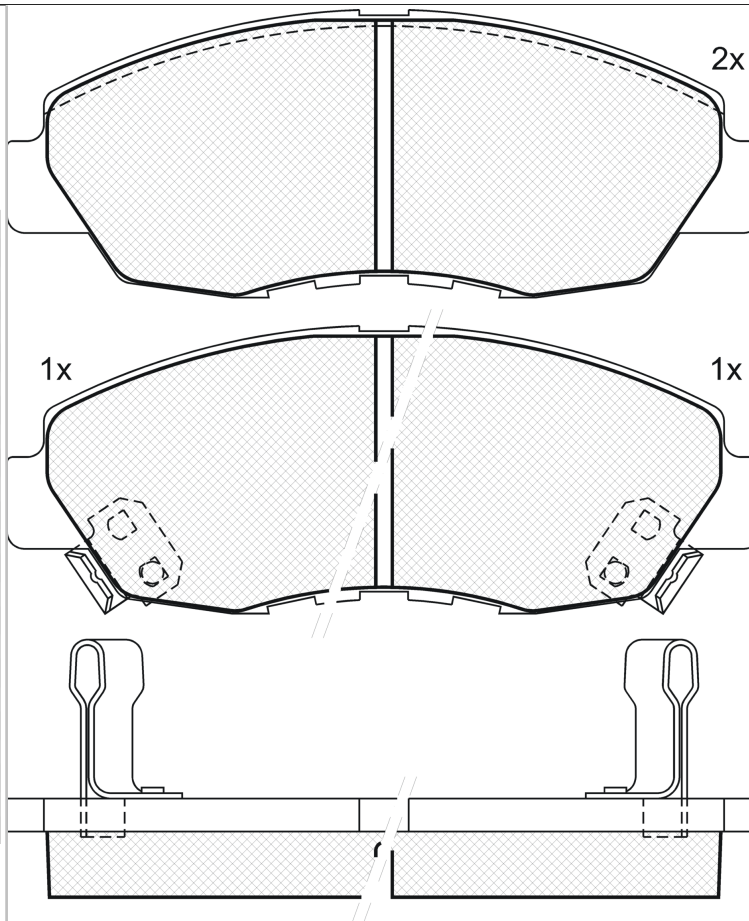


8 424073 004154

Qty: 300

Weight: 1.575

| O.E.M. | MAKE |
|---------------|-------|
| 06450-S5D-A01 | HONDA |
| 45022-S01-A01 | HONDA |
| 45022-S01-A02 | HONDA |
| 45022-S01-A03 | HONDA |
| 45022-S10-000 | HONDA |
| 45022-S10-010 | HONDA |
| 45022-S10-020 | HONDA |
| 45022-S10-030 | HONDA |
| 45022-S4K-A00 | HONDA |
| 45022-S4K-A01 | HONDA |
| 45022-S5D-A00 | HONDA |
| 45022-S5D-H00 | HONDA |
| 45022-S84-A00 | HONDA |
| 45022-S84-A01 | HONDA |
| 45022-S84-A02 | HONDA |
| 45022-SNE-A00 | HONDA |
| 45022-SNE-A50 | HONDA |
| 45022-SNE-A51 | HONDA |
| 45022-TR3-A00 | HONDA |
| 45022-TR3-A01 | HONDA |
| 45022-TR3-A02 | HONDA |
| H4502-S10-003 | HONDA |
| V9118-H014 | HONDA |



181329



90R-01111/204

Akebono

137.8x52.65x16.5

| WVA | FMSI |
|-------|------------|
| 21497 | D465A-7573 |
| 21498 | D764-7573 |
| 21499 | D764-7632 |
| | D1956-9182 |

MAKE
HONDA



| Trac. | CC | Kw | CV |
|-------|----|----|----|
|-------|----|----|----|



Front / Rear

HONDA

ACCORD VI (CK, CG, CH, CF, CL) 03.97-12.03

Saloon (Executive car-E Segment)

| | | | | | | | |
|---------------------------------------|----------|-----|------|-----|-----|-------------|---|
| 2.3 (CG5, CF9, CF0, CF1, CF2) (F23A1) | Gasolina | FWD | 2254 | 110 | 150 | 03.97-01.99 | ■ |
| 2.3 (CG5, CF9, CF0, CF1, CF2) (F23A2) | Gasolina | FWD | 2254 | 110 | 150 | 03.97-01.99 | ■ |

CIVIC IX 01.12-

Coupe (Compact car-C Segment)

| | | | | | | | |
|-----|----------|-----|------|-----|-----|--------|---|
| 1.8 | Gasolina | FWD | 1798 | 104 | 141 | 01.12- | ■ |
| 2.4 | Gasolina | FWD | 2354 | 150 | 204 | 01.12- | ■ |

CIVIC IX (FK) 02.12-

Hatchback (Compact car-C Segment)

| | | | | | | | |
|--------------------------|----------|-----|------|-----|-----|-------------|---|
| 1.4 i-VTEC (FK1) (L13Z4) | Gasolina | FWD | 1339 | 73 | 99 | 02.12-12.16 | ■ |
| 1.8 i-VTEC (FK2) (R18Z4) | Gasolina | FWD | 1798 | 104 | 141 | 02.12-12.16 | ■ |
| 1.6 i-DTEC (FK3) (N16A1) | Diesel | FWD | 1597 | 88 | 120 | 02.13-12.16 | ■ |
| 2.2 i-DTEC (FK3) (N22B4) | Diesel | FWD | 2199 | 110 | 150 | 02.12-12.16 | ■ |

CIVIC IX (FB) 09.11-

Saloon (Compact car-C Segment)

| | | | | | | | |
|-------------------|----------|-----|------|-----|-----|-------------|---|
| 1.5 Hybrid | Gasolina | FWD | 1497 | 82 | 112 | 06.12- | ■ |
| 1.8 (FB2) (R18Z1) | Gasolina | FWD | 1799 | 104 | 141 | 02.12-12.16 | ■ |
| 1.8 (FB2) (R18Z4) | Gasolina | FWD | 1799 | 104 | 141 | 02.12-12.16 | ■ |
| 2.0 (FB3) | Gasolina | FWD | 1997 | 114 | 155 | 06.12-12.16 | ■ |

CIVIC V (EJ) 08.93-03.96

Coupe (Supermini car-B Segment)

| | | | | | | | | |
|--------------------------|--------|----------|-----|------|----|-----|-------------|---|
| 1.6 i Vtec (EJ1) (D16Y6) | -12/95 | Gasolina | FWD | 1590 | 92 | 125 | 01.94-03.96 | ■ |
| 1.6 i Vtec (EJ1) (D16Z9) | -12/95 | Gasolina | FWD | 1590 | 92 | 125 | 01.94-03.96 | ■ |

CIVIC VI (EJ, EM1) 03.96-12.00

Coupe (Supermini car-B Segment)

| | | | | | | | | |
|--------------------------|--------|----------|-----|------|----|-----|-------------|---|
| 1.6 i Vtec (EM1) (D16Y8) | 01/00- | Gasolina | FWD | 1590 | 92 | 125 | 03.96-03.00 | ■ |
|--------------------------|--------|----------|-----|------|----|-----|-------------|---|

LISTA DE APLICACIONES - BUYERS GUIDE

| CIVIC VI / BALLADE (EJ, EK, SO) 06.95-03.01 | | | | | | Saloon (Sport compact car-C Segment) | | | |
|--|-------------------|----------|-----|------|-----|---|-------------|---|--|
| 1.6 i Vtec (EK1, SO4) (D16Y6) | 01/00- | Gasolina | FWD | 1590 | 92 | 125 | 11.95-02.01 | ■ | |
| 1.6 i Vtec (EK1, SO4) (D16Y8) | 01/00- | Gasolina | FWD | 1590 | 92 | 125 | 11.95-02.01 | ■ | |
| CIVIC VIII (FN, FK) 09.05- | | | | | | Hatchback (Compact car-C Segment) | | | |
| 1.8 (FN1, FK2) (R18A2) | | Gasolina | FWD | 1799 | 103 | 140 | 09.05-12.11 | ■ | |
| 2.0 | | Gasolina | FWD | 1998 | 110 | 150 | 12.06- | ■ | |
| Type R (FN2) (K20Z4) | | Gasolina | FWD | 1998 | 148 | 201 | 09.06-01.12 | ■ | |
| 2.2 CTDi (FK3) (N22A2) | | Diesel | FWD | 2204 | 103 | 140 | 09.05-12.11 | ■ | |
| CIVIC VIII / BALLADE (FD, FA) 09.05- | | | | | | Saloon (Compact car-C Segment) | | | |
| 1.8 | | Gasolina | FWD | 1799 | 97 | 132 | 01.06-12.13 | ■ | |
| 1.8 | | Gasolina | FWD | 1799 | 103 | 140 | 02.06- | ■ | |
| 1.8 (FD1, FD7, FA1) (R18A1) | | Gasolina | FWD | 1799 | 103 | 140 | 09.05-02.12 | ■ | |
| 1.8 (FD1, FD7, FA1) (R18A2) | | Gasolina | FWD | 1799 | 103 | 140 | 09.05-02.12 | ■ | |
| 2.0 | | Gasolina | FWD | 1998 | 114 | 155 | 02.06-02.12 | ■ | |
| CR-V (RD) 10.95-07.02 | | | | | | SUV (Compact SUV-J Segment) | | | |
| 2.0 (RD1) (B20Z1) | Automatic, 4 vel. | Gasolina | 4WD | 1973 | 98 | 133 | 04.99-02.02 | ■ | |