

LISTA DE APLICACIONES - BUYERS GUIDE

181331

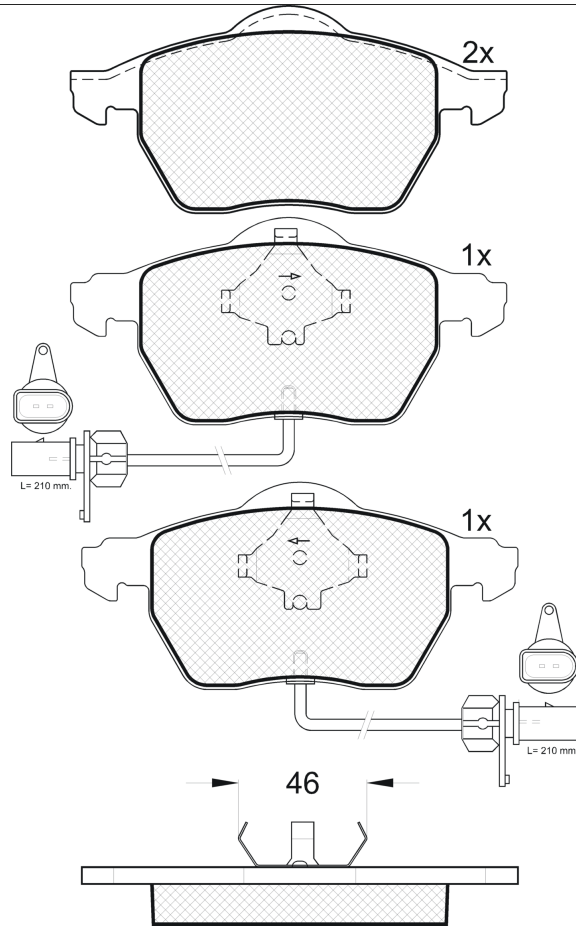


8 424073 059253

Qty: 300

Weight: 2.116

O.E.M.	MAKE
4B0 698 151 AB	VW
4B0 698 151 AF	VW
4B0 698 151 E	VW
4B0 698 151 J	VW
4B0 698 151 K	VW
4B0 698 151 M	VW
4B0 698 151 N	VW
4D0 698 151 J	VW
4F0 698 151	AUDI
8E0 698 151 F	AUDI
8E0 698 151 K	SEAT
JZW 698 151 P	VW



181331

E1 90R-01101/183



Ate - Teves

156.3x74.1x20.4

156.6x74.1x20.4

WVA	FMSI
20676	D840-7715
23018	
23019	
23911	
23007	

MAKE
AUDI
SEAT
SKODA
VW



Trac.	CC	Kw	CV
-------	----	----	----



Front / Rear

AUDI

A4 (U.S.A. B5) 12.94-12.01

Saloon (Compact executive car-D Segment)

Engine	Year	Fuel	Drive	CC	Kw	CV	12.94-	12.01
1.8 20V	01/03-	Gasolina	FWD	1795				■
1.8 20V	01/00-	Gasolina	FWD	1795				■
1.8 20V	01/02-	Gasolina	FWD	1795				■
1.8 20V	01/03-	Gasolina	FWD	1795				■
1.8 20V Quattro	01/01-	Gasolina	FWD	1795				■
1.8 20V Quattro	01/02-	Gasolina	FWD	1795				■
1.8 20V Quattro	01/01-	Gasolina	FWD	1795				■
1.8 20V Quattro	01/02-	Gasolina	FWD	1795				■
2.0	01/05-	Gasolina	FWD	1995				■
2.0 16V quattro	01/05-	Gasolina	FWD	1995				■
2.0 16V quattro	01/05-	Gasolina	FWD	1995				■
2.8 30V	01/01-	Gasolina	FWD	2795				■
2.8 30V	01/02-	Gasolina	FWD	2795				■
3.0 30V	01/03-	Gasolina	FWD	2995				■
3.0 30V	01/05-	Gasolina	FWD	2995				■
3.0 30V	01/02-	Gasolina	FWD	2995				■
3.0 30V	01/05-	Gasolina	FWD	2995				■
3.0 30V	01/04-	Gasolina	FWD	2995				■
3.0 30V	01/05-	Gasolina	FWD	2995				■
3.0 30V Quattro	01/02-	Gasolina	FWD	2995				■
3.0 30V Quattro	01/05-	Gasolina	FWD	2995				■
3.0 30V Quattro	01/02-	Gasolina	FWD	2995				■
3.0 30V Quattro	01/05-	Gasolina	FWD	2995				■

LISTA DE APLICACIONES - BUYERS GUIDE

A4 B5 (8D2) 11.94-12.01					Saloon (Compact executive car-D Segment)			
1.8 T (AEB)		Gasolina	FWD	1781	110	150	01.95-11.00	■
1.8 T (ANB)		Gasolina	FWD	1781	110	150	01.95-11.00	■
1.8 T (APU)		Gasolina	FWD	1781	110	150	01.95-11.00	■
1.8 T (ARK)		Gasolina	FWD	1781	110	150	01.95-11.00	■
1.8 T (ATW)		Gasolina	FWD	1781	110	150	01.95-11.00	■
1.8 T (AWT)		Gasolina	FWD	1781	110	150	01.95-11.00	■
1.8 T quattro (AEB)		Gasolina	4WD	1781	110	150	01.95-11.00	■
1.8 T quattro (ANB)		Gasolina	4WD	1781	110	150	01.95-11.00	■
1.8 T quattro (APU)		Gasolina	4WD	1781	110	150	01.95-11.00	■
1.8 T quattro (ARK)		Gasolina	4WD	1781	110	150	01.95-11.00	■
1.8 T quattro (ATW)		Gasolina	4WD	1781	110	150	01.95-11.00	■
1.8 T quattro (AWT)		Gasolina	4WD	1781	110	150	01.95-11.00	■
1.8 T (AJL)		Gasolina	FWD	1781	132	180	12.97-11.00	■
2.4 (AJG)		Gasolina	FWD	2393	120	163	08.97-11.00	■
2.4 (AMM)		Gasolina	FWD	2393	120	163	08.97-11.00	■
2.4 (APZ)		Gasolina	FWD	2393	120	163	08.97-11.00	■
2.4 (AGA)		Gasolina	FWD	2393	121	165	03.97-11.00	■
2.4 (ALF)		Gasolina	FWD	2393	121	165	03.97-11.00	■
2.4 (AML)		Gasolina	FWD	2393	121	165	03.97-11.00	■
2.4 (APS)		Gasolina	FWD	2393	121	165	03.97-11.00	■
2.4 (ARJ)		Gasolina	FWD	2393	121	165	03.97-11.00	■
2.4 quattro (AGA)		Gasolina	4WD	2393	121	165	03.97-11.00	■
2.4 quattro (ALF)		Gasolina	4WD	2393	121	165	03.97-11.00	■
2.4 quattro (AML)		Gasolina	4WD	2393	121	165	03.97-11.00	■
2.4 quattro (APS)		Gasolina	4WD	2393	121	165	03.97-11.00	■
2.4 quattro (ARJ)		Gasolina	4WD	2393	121	165	03.97-11.00	■
2.6 (ACZ)		Gasolina	FWD	2598	102	139	01.96-07.97	■
2.6 (ABC)		Gasolina	FWD	2598	110	150	01.95-11.00	■
2.6 quattro (ABC)		Gasolina	4WD	2598	110	150	01.95-11.00	■
2.8 (AAH)		Gasolina	FWD	2771	128	174	09.95-07.97	■
2.8 (AFC)		Gasolina	FWD	2771	128	174	09.95-07.97	■
2.8 quattro (AAH)		Gasolina	4WD	2771	128	174	01.95-07.97	■
2.8 quattro (AFC)		Gasolina	4WD	2771	128	174	01.95-07.97	■
2.8 (ATX)		Gasolina	FWD	2771	140	190	09.99-10.00	■
2.8 (ACK)		Gasolina	FWD	2771	142	193	10.96-11.00	■
2.8 (AHA)		Gasolina	FWD	2771	142	193	10.96-11.00	■
2.8 (ALG)		Gasolina	FWD	2771	142	193	10.96-11.00	■
2.8 (AMX)		Gasolina	FWD	2771	142	193	10.96-11.00	■
2.8 (APR)		Gasolina	FWD	2771	142	193	10.96-11.00	■
2.8 (AQD)		Gasolina	FWD	2771	142	193	10.96-11.00	■
2.8 (ATQ)		Gasolina	FWD	2771	142	193	10.96-11.00	■
2.8 quattro (ACK)		Gasolina	4WD	2771	142	193	10.96-08.01	■
2.8 quattro (AHA)		Gasolina	4WD	2771	142	193	10.96-08.01	■
2.8 quattro (ALG)		Gasolina	4WD	2771	142	193	10.96-08.01	■
2.8 quattro (AMX)		Gasolina	4WD	2771	142	193	10.96-08.01	■
2.8 quattro (APR)		Gasolina	4WD	2771	142	193	10.96-08.01	■
2.8 quattro (AQD)		Gasolina	4WD	2771	142	193	10.96-08.01	■
2.8 quattro (ATQ)		Gasolina	4WD	2771	142	193	10.96-08.01	■
1.9 TDI (AFN)		Diesel	FWD	1896	81	110	10.95-11.00	■
1.9 TDI (AVG)		Diesel	FWD	1896	81	110	10.95-11.00	■

LISTA DE APLICACIONES - BUYERS GUIDE

1.9 TDI quattro (AFN)		Diesel	4WD	1896	81	110	07.96-01.00	■
1.9 TDI quattro (AVG)		Diesel	4WD	1896	81	110	07.96-01.00	■
1.9 TDI (AJM)		Diesel	FWD	1896	85	116	03.00-11.00	■
2.5 TDI (AFB)		Diesel	FWD	2496	110	150	09.97-11.00	■
2.5 TDI (AKN)		Diesel	FWD	2496	110	150	09.97-11.00	■
2.5 TDI quattro (AFB)		Diesel	4WD	2496	110	150	09.97-11.00	■
2.5 TDI quattro (AKN)		Diesel	4WD	2496	110	150	09.97-11.00	■
A4 B5 Avant (8D5) 11.94-12.02							Estate (Compact executive car-D Segment)	
1.8 (ADR)		Gasolina	FWD	1781	92	125	02.96-09.01	■
1.8 (APT)		Gasolina	FWD	1781	92	125	02.96-09.01	■
1.8 (ARG)		Gasolina	FWD	1781	92	125	02.96-09.01	■
1.8 (AVV)		Gasolina	FWD	1781	92	125	02.96-09.01	■
1.8 T (AEB)		Gasolina	FWD	1781	110	150	03.96-09.01	■
1.8 T (ANB)		Gasolina	FWD	1781	110	150	03.96-09.01	■
1.8 T (APU)		Gasolina	FWD	1781	110	150	03.96-09.01	■
1.8 T (ARK)		Gasolina	FWD	1781	110	150	03.96-09.01	■
1.8 T (AWT)		Gasolina	FWD	1781	110	150	03.96-09.01	■
1.8 T quattro (AEB)		Gasolina	4WD	1781	110	150	01.96-09.01	■
1.8 T quattro (ANB)		Gasolina	4WD	1781	110	150	01.96-09.01	■
1.8 T quattro (APU)		Gasolina	4WD	1781	110	150	01.96-09.01	■
1.8 T quattro (ARK)		Gasolina	4WD	1781	110	150	01.96-09.01	■
1.8 T quattro (ATW)		Gasolina	4WD	1781	110	150	01.96-09.01	■
1.8 T quattro (AWT)		Gasolina	4WD	1781	110	150	01.96-09.01	■
1.8 T (AJL)		Gasolina	FWD	1781	132	180	12.97-09.01	■
2.4 (AJG)		Gasolina	FWD	2393	120	163	08.97-09.01	■
2.4 (AMM)		Gasolina	FWD	2393	120	163	08.97-09.01	■
2.4 (APZ)		Gasolina	FWD	2393	120	163	08.97-09.01	■
2.4 (AGA)		Gasolina	FWD	2393	121	165	03.97-09.01	■
2.4 (ALF)		Gasolina	FWD	2393	121	165	03.97-09.01	■
2.4 (AML)		Gasolina	FWD	2393	121	165	03.97-09.01	■
2.4 (APS)		Gasolina	FWD	2393	121	165	03.97-09.01	■
2.4 (ARJ)		Gasolina	FWD	2393	121	165	03.97-09.01	■
2.4 quattro (AGA)		Gasolina	4WD	2393	121	165	03.97-09.01	■
2.4 quattro (ALF)		Gasolina	4WD	2393	121	165	03.97-09.01	■
2.4 quattro (AML)		Gasolina	4WD	2393	121	165	03.97-09.01	■
2.4 quattro (APS)		Gasolina	4WD	2393	121	165	03.97-09.01	■
2.4 quattro (ARJ)		Gasolina	4WD	2393	121	165	03.97-09.01	■
2.6 (ABC)		Gasolina	FWD	2598	110	150	02.96-09.01	■
2.6 quattro (ABC)		Gasolina	4WD	2598	110	150	01.96-09.01	■
2.8 (ATX)		Gasolina	FWD	2771	140	190	03.99-09.00	■
2.8 (ACK)		Gasolina	FWD	2771	142	193	10.96-09.01	■
2.8 (AHA)		Gasolina	FWD	2771	142	193	10.96-09.01	■
2.8 (ALG)		Gasolina	FWD	2771	142	193	10.96-09.01	■
2.8 (APR)		Gasolina	FWD	2771	142	193	10.96-09.01	■
2.8 (AQD)		Gasolina	FWD	2771	142	193	10.96-09.01	■
2.8 quattro (ACK)		Gasolina	4WD	2771	142	193	10.96-09.01	■
2.8 quattro (AHA)		Gasolina	4WD	2771	142	193	10.96-09.01	■
2.8 quattro (ALG)		Gasolina	4WD	2771	142	193	10.96-09.01	■
2.8 quattro (AMX)		Gasolina	4WD	2771	142	193	10.96-09.01	■
2.8 quattro (APR)		Gasolina	4WD	2771	142	193	10.96-09.01	■
2.8 quattro (AQD)		Gasolina	4WD	2771	142	193	10.96-09.01	■

LISTA DE APLICACIONES - BUYERS GUIDE

2.8 quattro (ATQ)		Gasolina	4WD	2771	142	193	10.96-09.01	■	
1.9 TDI (AFN)		Diesel	FWD	1896	81	110	02.96-09.01	■	
1.9 TDI (AVG)		Diesel	FWD	1896	81	110	02.96-09.01	■	
1.9 TDI quattro (AFN)		Diesel	4WD	1896	81	110	09.96-09.01	■	
1.9 TDI quattro (AVG)		Diesel	4WD	1896	81	110	09.96-09.01	■	
1.9 TDI (AJM)		Diesel	FWD	1896	85	115	03.00-09.01	■	
1.9 TDI (ATJ)		Diesel	FWD	1896	85	115	03.00-09.01	■	
2.5 TDI (AFB)		Diesel	FWD	2496	110	150	09.97-09.01	■	
2.5 TDI (AKN)		Diesel	FWD	2496	110	150	09.97-09.01	■	
2.5 TDI quattro (AFB)		Diesel	4WD	2496	110	150	09.97-09.01	■	
2.5 TDI quattro (AKN)		Diesel	4WD	2496	110	150	09.97-09.01	■	
A4 II B6 (8H7) 01.02-12.09							Convertible (Compact executive car-D Segment)		
1.8 T (BFB)		Gasolina	FWD	1781	120	163	07.02-12.05	■	
1.8 T quattro (BFB)		Gasolina	4WD	1781	120	163	05.03-12.05	■	
1.8 T (AMB)		Gasolina	FWD	1781	125	170	10.02-10.05	■	
2.0 (ALT)	01/05-	Gasolina	FWD	1984	96	130	09.04-12.05	■	
2.0	-12/07	Gasolina	FWD	1984	147	200	11.05-03.09	■	
2.0 TFSI	-12/07	Gasolina	FWD	1984	147	200	11.05-03.09	■	
2.4 (AMM)		Gasolina	FWD	2393	120	163	04.02-12.05	■	
2.4 (BDV)		Gasolina	FWD	2393	125	170	04.02-12.05	■	
3.0 (BBJ)		Gasolina	FWD	2976	160	218	04.02-12.05	■	
3.0 (ASN)		Gasolina	FWD	2976	162	220	04.02-12.05	■	
3.0 (AVK)		Gasolina	FWD	2976	162	220	04.02-12.05	■	
3.0 (BGN)		Gasolina	FWD	2976	162	220	04.02-12.05	■	
3.0 quattro (ASN)		Gasolina	4WD	2976	162	220	05.03-12.05	■	
3.0 quattro (AVK)		Gasolina	4WD	2976	162	220	05.03-12.05	■	
3.0 quattro (BGN)		Gasolina	4WD	2976	162	220	05.03-12.05	■	
2.5 TDI (BCZ)		Diesel	FWD	2496	120	163	08.02-12.05	■	
2.5 TDI (BDG)		Diesel	FWD	2496	120	163	08.02-12.05	■	
2.5 TDI (BFC)		Diesel	FWD	2496	120	163	08.02-12.05	■	
A4 II B6 (8E2) 11.00-12.05							Saloon (Compact executive car-D Segment)		
1.6 (ALZ)		Gasolina	FWD	1595	75	102	11.00-12.04	■	
1.8 T (AVJ)		Gasolina	FWD	1781	110	150	11.00-07.02	■	
1.8 T quattro (AVJ)		Gasolina	4WD	1781	110	150	11.00-07.02	■	
1.8 T (BFB)		Gasolina	FWD	1781	120	163	07.02-12.04	■	
1.8 T quattro (BFB)		Gasolina	4WD	1781	120	163	07.02-12.04	■	
1.8 T (AMB)	PR 1LB, PR 1LE, PR 1LF, PR 1LT, discØ 288	Gasolina	FWD	1781	125	170	07.01-12.04	■	
1.8 T quattro (AMB)		Gasolina	4WD	1781	125	170	07.01-12.04	■	
1.8 T quattro (AWM)		Gasolina	4WD	1781	125	170	07.01-12.04	■	
1.8 T (BEX)		Gasolina	FWD	1781	140	190	11.02-12.04	■	
1.8 T quattro (BEX)		Gasolina	4WD	1781	140	190	11.02-12.04	■	
2.0 (ALT)		Gasolina	FWD	1984	96	130	11.00-12.04	■	
2.0 FSI (AWA)		Gasolina	FWD	1984	110	150	07.02-12.04	■	
2.4 (AMM)		Gasolina	FWD	2393	120	163	09.01-12.04	■	
2.4 (BDV)		Gasolina	FWD	2393	125	170	09.01-12.04	■	
3.0 (BBJ)		Gasolina	FWD	2976	160	218	04.01-12.04	■	
3.0 quattro (BBJ)		Gasolina	4WD	2976	160	218	04.01-12.04	■	
3.0 (ASN)	01/01-	Gasolina	FWD	2976	162	220	11.00-12.04	■	
3.0 (AVK)	01/01-	Gasolina	FWD	2976	162	220	11.00-12.04	■	
3.0 quattro (ASN)	01/01-	Gasolina	4WD	2976	162	220	11.00-12.04	■	

LISTA DE APLICACIONES - BUYERS GUIDE

3.0 quattro (AVK)	01/01-	Gasolina	4WD	2976	162	220	11.00-12.04	■	
1.9 TDI (AVB)		Diesel	FWD	1896	74	101	05.01-12.04	■	
1.9 TDI (BKE)		Diesel	FWD	1896	85	116	06.04-12.04	■	
1.9 TDI (AVF)	01/01-, PR 1KF, PR 1LB, PR 1LE, PR 1LT	Diesel	FWD	1896	96	130	11.00-12.04	■	
1.9 TDI (AWX)	01/01-, PR 1KF, PR 1LB, PR 1LE, PR 1LT	Diesel	FWD	1896	96	130	11.00-12.04	■	
1.9 TDI quattro (AVF)	PR 1LB, PR 1LE, PR 1LF, PR 1LT	Diesel	4WD	1896	96	130	11.01-12.04	■	
2.5 TDI (AYM)		Diesel	FWD	2496	114	155	08.01-07.02	■	
2.5 TDI (BCZ)	-12/03	Diesel	FWD	2496	120	163	07.02-12.04	■	
2.5 TDI (BDG)	-12/03	Diesel	FWD	2496	120	163	07.02-12.04	■	
2.5 TDI (BFC)	-12/03	Diesel	FWD	2496	120	163	07.02-12.04	■	
2.5 D	01/01-	Diesel	RWD	2496	132	179	10.00-05.03	■	
2.5 TDI quattro (AKE)	01/01-	Diesel	4WD	2496	132	180	11.00-12.04	■	
2.5 TDI quattro (BAU)	01/01-	Diesel	4WD	2496	132	180	11.00-12.04	■	
2.5 TDI quattro (BDH)	01/01-	Diesel	4WD	2496	132	180	11.00-12.04	■	
A4 II B6 Avant (8E5) 02.00-12.05							Estate (Compact executive car-D Segment)		
1.6 (ALZ)		Gasolina	FWD	1595	75	102	09.01-12.04	■	
1.8 T (AVJ)		Gasolina	FWD	1781	110	150	09.01-07.02	■	
1.8 T quattro (AVJ)		Gasolina	4WD	1781	110	150	09.01-07.02	■	
1.8 T (BFB)		Gasolina	FWD	1781	120	163	07.02-12.04	■	
1.8 T quattro (BFB)		Gasolina	4WD	1781	120	163	07.02-12.04	■	
1.8 T quattro (AMB)	PR 1LB, PR 1LE, PR 1LF, PR 1LT, discØ 288	Gasolina	4WD	1781	125	170	09.01-12.04	■	
1.8 T (BEX)		Gasolina	FWD	1781	140	190	11.02-12.04	■	
1.8 T quattro (BEX)		Gasolina	4WD	1781	140	190	11.02-12.04	■	
2.0 (ALT)		Gasolina	FWD	1984	96	130	09.01-12.04	■	
2.0 FSI (AWA)		Gasolina	FWD	1984	110	150	07.02-12.04	■	
2.4 (AMM)		Gasolina	FWD	2393	120	163	09.01-12.04	■	
2.4 (BDV)		Gasolina	FWD	2393	125	170	09.01-12.04	■	
3.0 (BBJ)		Gasolina	FWD	2976	160	218	04.01-12.04	■	
3.0 quattro (BBJ)		Gasolina	4WD	2976	160	218	04.01-12.04	■	
3.0 (ASN)		Gasolina	FWD	2976	162	220	09.01-12.04	■	
3.0 quattro (ASN)		Gasolina	4WD	2976	162	220	09.01-12.04	■	
3.0 quattro (AVK)		Gasolina	4WD	2976	162	220	09.01-12.04	■	
1.9 TDI (AVB)		Diesel	FWD	1896	74	101	11.01-12.04	■	
1.9 TDI (BKE)		Diesel	FWD	1896	85	116	06.04-12.04	■	
1.9 TDI (AVF)		Diesel	FWD	1896	96	130	09.01-12.04	■	
1.9 TDI (AWX)		Diesel	FWD	1896	96	130	09.01-12.04	■	
1.9 TDI quattro (AVF)		Diesel	4WD	1896	96	130	11.01-12.04	■	
2.5 TDI (AYM)		Diesel	FWD	2496	114	155	09.01-07.02	■	
2.5 TDI (BCZ)	-12/03	Diesel	FWD	2496	120	163	07.02-12.04	■	
2.5 TDI (BDG)	-12/03	Diesel	FWD	2496	120	163	07.02-12.04	■	
2.5 TDI (BFC)	-12/03	Diesel	FWD	2496	120	163	07.02-12.04	■	
2.5 TDI	01/01-	Diesel	RWD	2496	132	179	04.01-05.03	■	
2.5 TDI quattro (AKE)		Diesel	4WD	2496	132	180	09.01-12.04	■	
2.5 TDI quattro (BAU)		Diesel	4WD	2496	132	180	09.01-12.04	■	
2.5 TDI quattro (BDH)		Diesel	4WD	2496	132	180	09.01-12.04	■	
A4 III B7 Avant (8ED) 11.04-11.08							Estate (Compact executive car-D Segment)		
1.6 (ALZ)	-12/07	Gasolina	FWD	1595	75	102	11.04-06.08	■	
1.8 T (BFB)	-12/07	Gasolina	FWD	1781	120	163	11.04-06.08	■	

LISTA DE APLICACIONES - BUYERS GUIDE

1.8 T quattro (BFB)	-12/07	Gasolina	4WD	1781	120	163	11.04-06.08	■
2.0 (ALT)	-12/07	Gasolina	FWD	1984	96	130	11.04-06.08	■
2.0 FSI		Gasolina	FWD	1984	110	150	01.05-07.05	■
2.0 TFSI (BPJ)	-12/07	Gasolina	FWD	1984	125	170	10.06-06.08	■
2.0 TFSI (BYK)	-12/07	Gasolina	FWD	1984	125	170	10.06-06.08	■
2.0 TFSI (BGB)	-12/07	Gasolina	FWD	1984	147	200	11.04-06.08	■
2.0 TFSI (BPG)	-12/07	Gasolina	FWD	1984	147	200	11.04-06.08	■
2.0 TFSI (BWE)	-12/07	Gasolina	FWD	1984	147	200	11.04-06.08	■
2.0 TFSI quattro (BGB)	-12/07	Gasolina	4WD	1984	147	200	11.04-06.08	■
2.0 TFSI quattro (BPG)	-12/07	Gasolina	4WD	1984	147	200	11.04-06.08	■
2.0 TFSI quattro (BWE)	-12/07	Gasolina	4WD	1984	147	200	11.04-06.08	■
2.0 TFSI quattro (BWT)	-12/07	Gasolina	4WD	1984	147	200	11.04-06.08	■
2.0 TFSI (BUL)	-12/07	Gasolina	FWD	1984	162	220	06.05-06.08	■
2.0 TFSI quattro (BUL)	-12/07	Gasolina	4WD	1984	162	220	06.05-06.08	■
3.0 (BBJ)		Gasolina	FWD	2976	160	218	11.04-05.06	■
3.0 quattro (BBJ)		Gasolina	4WD	2976	160	218	11.04-07.06	■
3.2 FSI (AUK)	-12/07	Gasolina	FWD	3123	188	255	01.05-06.08	■
3.2 FSI quattro (AUK)	-12/07	Gasolina	4WD	3123	188	255	01.05-06.08	■
3.2 FSI quattro (BKH)	-12/07	Gasolina	4WD	3123	188	255	01.05-06.08	■
1.9 TDI (BKE)	-12/07	Diesel	FWD	1896	85	116	11.04-06.08	■
1.9 TDI (BRB)	-12/07	Diesel	FWD	1896	85	116	11.04-06.08	■
2.0 TDI (BVG)		Diesel	FWD	1968	89	121	09.05-09.06	■
2.0 TDI (BVF)		Diesel	FWD	1968	93	126	11.05-11.06	■
2.0 TDI (BNA)	-12/07	Diesel	FWD	1968	100	136	11.04-06.08	■
2.0 TDI (BRF)	-12/07	Diesel	FWD	1968	100	136	11.04-06.08	■
2.0 TDI (BPW)	-12/07	Diesel	FWD	1968	103	140	11.04-06.08	■
2.0 TDI 16V (BLB)	-12/07	Diesel	FWD	1968	103	140	11.04-06.08	■
2.0 TDI 16V (BRE)	-12/07	Diesel	FWD	1968	103	140	11.04-06.08	■
2.0 TDI quattro (BPW)	-12/07	Diesel	4WD	1968	103	140	01.06-06.08	■
2.0 TDI (BVA)	-12/07	Diesel	FWD	1968	120	163	06.06-06.08	■
2.0 TDI quattro (BVA)	-12/07	Diesel	4WD	1968	120	163	06.06-06.08	■
2.0 TDI (BRD)	-12/07	Diesel	FWD	1968	125	170	06.06-06.08	■
2.0 TDI quattro (BRD)	-12/07	Diesel	4WD	1968	125	170	06.06-06.08	■
2.5 TDI (BDG)		Diesel	FWD	2496	120	163	11.04-05.06	■
2.7 TDI (BSG)		Diesel	FWD	2698	120	163	11.05-03.08	■
2.7 TDI (BPP)	-12/07	Diesel	FWD	2698	132	180	01.06-06.08	■
3.0 TDI quattro (BKN)	-12/07	Diesel	4WD	2967	150	204	11.04-06.08	■
3.0 TDI quattro (ASB)	-12/07	Diesel	4WD	2967	171	233	01.06-06.08	■
A4 III B7 (8HE) 01.02-01.10							Convertible (Compact executive car-D Segment)	
1.8 T		Gasolina	FWD	1781	120	163	01.06-03.09	■
2.0 TFSI 16V (BWE)	-12/07	Gasolina	FWD	1984	147	200	01.06-03.09	■
2.0 TFSI 16V (BWT)	-12/07	Gasolina	FWD	1984	147	200	01.06-03.09	■
3.2 FSI (AUK)	-12/06	Gasolina	FWD	3123	188	255	01.06-03.09	■
3.2 FSI quattro (AUK)	-12/06	Gasolina	4WD	3123	188	255	01.06-03.09	■
3.2 FSI quattro (BKH)	-12/06	Gasolina	4WD	3123	188	255	01.06-03.09	■
2.0 TDI (BRC)	-12/07	Diesel	FWD	1968	100	136	01.06-03.09	■
2.0 TDI (BPW)	-12/06	Diesel	FWD	1968	103	140	01.06-03.09	■
2.7 TDI (BPP)	-12/07	Diesel	FWD	2698	132	180	06.06-03.09	■
3.0 TDI quattro (BKN)	-12/07	Diesel	4WD	2967	150	204	01.06-03.09	■
3.0 TDI quattro (ASB)	-12/06	Diesel	4WD	2967	171	233	01.06-03.09	■

LISTA DE APLICACIONES - BUYERS GUIDE

A4 III B7 (8EC) 11.04-01.09					Saloon (Compact executive car-D Segment)			
1.6 (ALZ)	-12/07	Gasolina	FWD	1595	75	102	11.04-06.08	■
1.8 T (BFB)	-12/07	Gasolina	FWD	1781	120	163	11.04-06.08	■
1.8 T quattro (BFB)		Gasolina	4WD	1781	120	163	11.04-06.08	■
2.0 (ALT)	-12/07	Gasolina	FWD	1984	96	130	11.04-06.08	■
2.0 FSI		Gasolina	FWD	1984	110	150	01.05-07.05	■
2.0 TFSI (BPJ)	-12/07	Gasolina	FWD	1984	125	170	10.06-06.08	■
2.0 TFSI (BYK)	-12/07	Gasolina	FWD	1984	125	170	10.06-06.08	■
2.0 TFSI (BGB)	-12/07	Gasolina	FWD	1984	147	200	11.04-06.08	■
2.0 TFSI (BPG)	-12/07	Gasolina	FWD	1984	147	200	11.04-06.08	■
2.0 TFSI (BWE)	-12/07	Gasolina	FWD	1984	147	200	11.04-06.08	■
2.0 TFSI (BWT)	-12/07	Gasolina	FWD	1984	147	200	11.04-06.08	■
2.0 TFSI quattro (BGB)	-12/07	Gasolina	4WD	1984	147	200	11.04-06.08	■
2.0 TFSI quattro (BPG)	-12/07	Gasolina	4WD	1984	147	200	11.04-06.08	■
2.0 TFSI quattro (BWE)	-12/07	Gasolina	4WD	1984	147	200	11.04-06.08	■
2.0 TFSI quattro (BWT)	-12/07	Gasolina	4WD	1984	147	200	11.04-06.08	■
2.0 TFSI (BUL)	-12/07	Gasolina	FWD	1984	162	220	06.05-06.08	■
2.0 TFSI quattro (BUL)	-12/07	Gasolina	4WD	1984	162	220	06.05-06.08	■
3.0 (BBJ)		Gasolina	FWD	2976	160	218	11.04-05.06	■
3.0 quattro (BBJ)		Gasolina	4WD	2976	160	218	11.04-07.06	■
3.2 FSI (AUK)	-12/07	Gasolina	FWD	3123	188	255	01.05-06.08	■
3.2 FSI quattro (AUK)	-12/07	Gasolina	4WD	3123	188	255	01.05-06.08	■
3.2 FSI quattro (BKH)	-12/07	Gasolina	4WD	3123	188	255	01.05-06.08	■
1.9 TDI (BKE)	-12/07	Diesel	FWD	1896	85	116	11.04-06.08	■
1.9 TDI (BRB)	-12/07	Diesel	FWD	1896	85	116	11.04-06.08	■
2.0 TDI (BVG)		Diesel	FWD	1968	89	121	09.05-09.06	■
2.0 TDI (BVF)		Diesel	FWD	1968	93	126	11.05-11.06	■
2.0 TDI (BNA)	-12/07	Diesel	FWD	1968	100	136	11.04-06.08	■
2.0 TDI (BRF)	-12/07	Diesel	FWD	1968	100	136	11.04-06.08	■
2.0 TDI (BPW)	-12/07	Diesel	FWD	1968	103	140	11.04-06.08	■
2.0 TDI 16V (BLB)	-12/07	Diesel	FWD	1968	103	140	11.04-06.08	■
2.0 TDI 16V (BRE)	-12/07	Diesel	FWD	1968	103	140	11.04-06.08	■
2.0 TDI quattro (BPW)	-12/07	Diesel	4WD	1968	103	140	01.06-06.08	■
2.0 TDI (BVA)	-12/07	Diesel	FWD	1968	120	163	06.06-06.08	■
2.0 TDI quattro (BVA)	-12/07	Diesel	4WD	1968	120	163	06.06-06.08	■
2.0 TDI (BRD)	-12/07	Diesel	FWD	1968	125	170	06.06-06.08	■
2.0 TDI quattro (BRD)	-12/07	Diesel	4WD	1968	125	170	06.06-06.08	■
2.5 TDI (BDG)		Diesel	FWD	2496	120	163	11.04-05.06	■
2.7 TDI (BSG)	01/06-	Diesel	FWD	2698	120	163	11.05-06.08	■
2.7 TDI (BPP)	-12/07	Diesel	FWD	2698	132	180	01.06-06.08	■
3.0 TDI quattro (BKN)	-12/07	Diesel	4WD	2967	150	204	11.04-06.08	■
A6 II (U.S.A. C5) 09.95-12.04					Saloon (Executive car-E Segment)			
2.8 30V	01/99-	Gasolina	FWD	2795			09.95-	■
2.8 V30 Quattro	01/99-	Gasolina	FWD	2795			09.95-	■
2.8 V30 Quattro	01/99-	Gasolina	FWD	2795			09.95-	■
2.8 V30 Quattro	01/99-	Gasolina	FWD	2795			09.95-	■
A6 II C5 Avant (4B5, 4B6) 11.97-01.06					Estate (Executive car-E Segment)			
1.8 (AFY)		Gasolina	FWD	1781	85	116	02.98-01.05	■
1.8 (AJP)		Gasolina	FWD	1781	92	125	12.97-01.05	■
1.8 (AQE)		Gasolina	FWD	1781	92	125	12.97-01.05	■

LISTA DE APLICACIONES - BUYERS GUIDE

1.8 (ARH)		Gasolina	FWD	1781	92	125	12.97-01.05	■
1.8 T (AEB)		Gasolina	FWD	1781	110	150	12.97-01.05	■
1.8 T (ANB)		Gasolina	FWD	1781	110	150	12.97-01.05	■
1.8 T (APU)		Gasolina	FWD	1781	110	150	12.97-01.05	■
1.8 T (ARK)		Gasolina	FWD	1781	110	150	12.97-01.05	■
1.8 T (AWT)		Gasolina	FWD	1781	110	150	12.97-01.05	■
1.8 T quattro (AEB)	01/01-	Gasolina	4WD	1781	110	150	12.97-01.05	■
1.8 T quattro (ANB)	01/01-	Gasolina	4WD	1781	110	150	12.97-01.05	■
1.8 T quattro (APU)	01/01-	Gasolina	4WD	1781	110	150	12.97-01.05	■
1.8 T quattro (ARK)	01/01-	Gasolina	4WD	1781	110	150	12.97-01.05	■
1.8 T quattro (AWT)	01/01-	Gasolina	4WD	1781	110	150	12.97-01.05	■
1.8 T (AJL)		Gasolina	FWD	1781	132	180	04.99-01.05	■
1.8 T quattro (AJL)		Gasolina	4WD	1781	132	180	12.97-01.05	■
2.0 (ALT)		Gasolina	FWD	1984	96	130	08.01-01.05	■
2.4 (ALW)		Gasolina	FWD	2393	100	136	07.98-01.05	■
2.4 (ARN)		Gasolina	FWD	2393	100	136	07.98-01.05	■
2.4 (ASM)		Gasolina	FWD	2393	100	136	07.98-01.05	■
2.4 (APC)		Gasolina	FWD	2393	115	156	12.97-01.05	■
2.4 quattro (APC)		Gasolina	4WD	2393	115	156	08.98-05.01	■
2.4 (AJG)		Gasolina	FWD	2393	120	163	12.97-01.05	■
2.4 (AMM)		Gasolina	FWD	2393	120	163	12.97-01.05	■
2.4 (APZ)		Gasolina	FWD	2393	120	163	12.97-01.05	■
2.4 quattro (AJG)		Gasolina	4WD	2393	120	163	12.97-01.05	■
2.4 quattro (APZ)		Gasolina	4WD	2393	120	163	12.97-01.05	■
2.4 (AGA)		Gasolina	FWD	2393	121	165	12.97-01.05	■
2.4 (ALF)		Gasolina	FWD	2393	121	165	12.97-01.05	■
2.4 (AML)		Gasolina	FWD	2393	121	165	12.97-01.05	■
2.4 (APS)		Gasolina	FWD	2393	121	165	12.97-01.05	■
2.4 (ARJ)		Gasolina	FWD	2393	121	165	12.97-01.05	■
2.4 quattro (AGA)		Gasolina	4WD	2393	121	165	12.97-01.05	■
2.4 quattro (ALF)		Gasolina	4WD	2393	121	165	12.97-01.05	■
2.4 quattro (AML)		Gasolina	4WD	2393	121	165	12.97-01.05	■
2.4 quattro (APS)		Gasolina	4WD	2393	121	165	12.97-01.05	■
2.4 quattro (ARJ)		Gasolina	4WD	2393	121	165	12.97-01.05	■
2.4 (BDV)		Gasolina	FWD	2393	125	170	08.01-01.05	■
2.4 quattro (BDV)		Gasolina	4WD	2393	125	170	08.01-01.05	■
2.8 (AGE)		Gasolina	FWD	2771	132	180	12.97-05.00	■
2.8 (ATX)		Gasolina	FWD	2771	140	190	07.99-01.05	■
2.8 quattro		Gasolina	4WD	2771	140	190	08.98-04.01	■
2.8 (ACK)		Gasolina	FWD	2771	142	193	12.97-01.05	■
2.8 (ALG)		Gasolina	FWD	2771	142	193	12.97-01.05	■
2.8 (AMX)		Gasolina	FWD	2771	142	193	12.97-01.05	■
2.8 (APR)		Gasolina	FWD	2771	142	193	12.97-01.05	■
2.8 (AQD)		Gasolina	FWD	2771	142	193	12.97-01.05	■
2.8 quattro (ACK)		Gasolina	4WD	2771	142	193	12.97-01.05	■
2.8 quattro (ALG)		Gasolina	4WD	2771	142	193	12.97-01.05	■
2.8 quattro (AMX)		Gasolina	4WD	2771	142	193	12.97-01.05	■
2.8 quattro (APR)		Gasolina	4WD	2771	142	193	12.97-01.05	■
2.8 quattro (AQD)		Gasolina	4WD	2771	142	193	12.97-01.05	■
2.8 quattro (ATQ)		Gasolina	4WD	2771	142	193	12.97-01.05	■
1.9 TDI (AFN)		Diesel	FWD	1896	81	110	02.98-04.01	■

LISTA DE APLICACIONES - BUYERS GUIDE

1.9 TDI (AVG)		Diesel	FWD	1896	81	110	02.98-04.01	■
1.9 TDI (AJM)		Diesel	FWD	1896	85	115	07.00-01.05	■
1.9 TDI (AVF)		Diesel	FWD	1896	96	130	08.01-01.05	■
1.9 TDI (AWX)		Diesel	FWD	1896	96	130	08.01-01.05	■
2.5 TDI (AFB)		Diesel	FWD	2496	110	150	12.97-01.05	■
2.5 TDI (AKN)		Diesel	FWD	2496	110	150	12.97-01.05	■
2.5 TDI quattro (AFB)		Diesel	4WD	2496	110	150	12.97-01.05	■
2.5 TDI quattro (AKN)		Diesel	4WD	2496	110	150	12.97-01.05	■
2.5 TDI (AYM)		Diesel	FWD	2496	114	155	08.01-01.05	■
2.5 TDI (BCZ)		Diesel	FWD	2496	120	163	07.02-01.05	■
2.5 TDI (BDG)		Diesel	FWD	2496	120	163	07.02-01.05	■
2.5 TDI (BFC)		Diesel	FWD	2496	120	163	07.02-01.05	■
2.5 TDI (AKE)		Diesel	FWD	2496	132	180	02.00-01.05	■
2.5 TDI (BAU)		Diesel	FWD	2496	132	180	02.00-01.05	■
2.5 TDI (BDH)		Diesel	FWD	2496	132	180	02.00-01.05	■
2.5 TDI quattro (AKE)		Diesel	4WD	2496	132	180	02.00-01.05	■
2.5 TDI quattro (BAU)		Diesel	4WD	2496	132	180	02.00-01.05	■
2.5 TDI quattro (BDH)		Diesel	4WD	2496	132	180	02.00-01.05	■
A6 II C5 (4B2, 4B4) 01.97-12.05				Saloon (Executive car-E Segment)				
1.8 (AFY)		Gasolina	FWD	1781	85	116	05.97-01.05	■
1.8 (AJP)		Gasolina	FWD	1781	92	125	07.97-01.05	■
1.8 (AQE)		Gasolina	FWD	1781	92	125	07.97-01.05	■
1.8 (ARH)		Gasolina	FWD	1781	92	125	07.97-01.05	■
1.8 T (AEB)	01/01-	Gasolina	FWD	1781	110	150	01.97-01.05	■
1.8 T (ANB)	01/01-	Gasolina	FWD	1781	110	150	01.97-01.05	■
1.8 T (APU)	01/01-	Gasolina	FWD	1781	110	150	01.97-01.05	■
1.8 T (ARK)	01/01-	Gasolina	FWD	1781	110	150	01.97-01.05	■
1.8 T (AWT)	01/01-	Gasolina	FWD	1781	110	150	01.97-01.05	■
1.8 T quattro (AEB)		Gasolina	4WD	1781	110	150	02.97-01.05	■
1.8 T quattro (ANB)		Gasolina	4WD	1781	110	150	02.97-01.05	■
1.8 T quattro (APU)		Gasolina	4WD	1781	110	150	02.97-01.05	■
1.8 T quattro (ARK)		Gasolina	4WD	1781	110	150	02.97-01.05	■
1.8 T quattro (AWT)		Gasolina	4WD	1781	110	150	02.97-01.05	■
1.8 T (AJL)		Gasolina	FWD	1781	132	180	12.97-01.05	■
1.8 T quattro (AJL)		Gasolina	4WD	1781	132	180	12.97-01.05	■
2.0 (ALT)		Gasolina	FWD	1984	96	130	08.01-01.05	■
2.4 (ALW)		Gasolina	FWD	2393	100	136	07.98-01.05	■
2.4 (ARN)		Gasolina	FWD	2393	100	136	07.98-01.05	■
2.4 (ASM)		Gasolina	FWD	2393	100	136	07.98-01.05	■
2.4 (APC)		Gasolina	FWD	2393	115	156	02.97-01.05	■
2.4 quattro (APC)		Gasolina	4WD	2393	115	156	08.98-07.99	■
2.4 (AJG)		Gasolina	FWD	2393	120	163	02.97-01.05	■
2.4 (AMM)		Gasolina	FWD	2393	120	163	02.97-01.05	■
2.4 (APZ)		Gasolina	FWD	2393	120	163	02.97-01.05	■
2.4 quattro (AJG)		Gasolina	4WD	2393	120	163	02.97-01.05	■
2.4 quattro (APZ)		Gasolina	4WD	2393	120	163	02.97-01.05	■
2.4 (AGA)		Gasolina	FWD	2393	121	165	02.97-01.05	■
2.4 (ALF)		Gasolina	FWD	2393	121	165	02.97-01.05	■
2.4 (AML)		Gasolina	FWD	2393	121	165	02.97-01.05	■
2.4 (APS)		Gasolina	FWD	2393	121	165	02.97-01.05	■
2.4 (ARJ)		Gasolina	FWD	2393	121	165	02.97-01.05	■

LISTA DE APLICACIONES - BUYERS GUIDE

2.4 quattro (AGA)		Gasolina	4WD	2393	121	165	02.97-01.05	■
2.4 quattro (ALF)		Gasolina	4WD	2393	121	165	02.97-01.05	■
2.4 quattro (AML)		Gasolina	4WD	2393	121	165	02.97-01.05	■
2.4 quattro (APS)		Gasolina	4WD	2393	121	165	02.97-01.05	■
2.4 quattro (ARJ)		Gasolina	4WD	2393	121	165	02.97-01.05	■
2.4 (BDV)		Gasolina	FWD	2393	125	170	08.01-01.05	■
2.4 quattro (BDV)		Gasolina	4WD	2393	125	170	08.01-01.05	■
2.8 (AGE)		Gasolina	FWD	2771	132	180	10.97-05.00	■
2.8 (ATX)		Gasolina	FWD	2771	140	190	07.99-01.05	■
2.8 quattro (ATX)		Gasolina	4WD	2771	140	190	07.99-05.01	■
2.8 (ACK)		Gasolina	FWD	2771	142	193	02.97-01.05	■
2.8 (ALG)		Gasolina	FWD	2771	142	193	02.97-01.05	■
2.8 (AMX)		Gasolina	FWD	2771	142	193	02.97-01.05	■
2.8 (APR)		Gasolina	FWD	2771	142	193	02.97-01.05	■
2.8 (AQD)		Gasolina	FWD	2771	142	193	02.97-01.05	■
2.8 (ATQ)		Gasolina	FWD	2771	142	193	02.97-01.05	■
2.8 quattro (ACK)		Gasolina	4WD	2771	142	193	02.97-01.05	■
2.8 quattro (ALG)		Gasolina	4WD	2771	142	193	02.97-01.05	■
2.8 quattro (AMX)		Gasolina	4WD	2771	142	193	02.97-01.05	■
2.8 quattro (APR)		Gasolina	4WD	2771	142	193	02.97-01.05	■
2.8 quattro (AQD)		Gasolina	4WD	2771	142	193	02.97-01.05	■
2.8 quattro (ATQ)		Gasolina	4WD	2771	142	193	02.97-01.05	■
3.0 (BBJ)	PR 1LB, PR 1LE, PR 1LF, PR 1LT	Gasolina	FWD	2976	160	218	06.01-01.05	■
3.0 quattro (BBJ)	PR 1LF, PR 1LT	Gasolina	4WD	2976	160	218	06.01-07.04	■
1.9 TDI (AFN)		Diesel	FWD	1896	81	110	04.97-10.00	■
1.9 TDI (AVG)		Diesel	FWD	1896	81	110	04.97-10.00	■
1.9 TDI (AJM)		Diesel	FWD	1896	85	115	07.00-01.05	■
1.9 TDI (AVF)		Diesel	FWD	1896	96	130	08.01-01.05	■
1.9 TDI (AWX)		Diesel	FWD	1896	96	130	08.01-01.05	■
2.5 TDI (AFB)		Diesel	FWD	2496	110	150	07.97-01.05	■
2.5 TDI (AKN)		Diesel	FWD	2496	110	150	07.97-01.05	■
2.5 TDI quattro (AFB)		Diesel	4WD	2496	110	150	07.97-01.05	■
2.5 TDI quattro (AKN)		Diesel	4WD	2496	110	150	07.97-01.05	■
2.5 TDI (AYM)		Diesel	FWD	2496	114	155	08.01-01.05	■
2.5 TDI (BCZ)		Diesel	FWD	2496	120	163	07.02-01.05	■
2.5 TDI (BDG)		Diesel	FWD	2496	120	163	07.02-01.05	■
2.5 TDI (BFC)		Diesel	FWD	2496	120	163	07.02-01.05	■
2.5 TDI (AKE)		Diesel	FWD	2496	132	180	02.00-01.05	■
2.5 TDI (BAU)		Diesel	FWD	2496	132	180	02.00-01.05	■
2.5 TDI (BDH)		Diesel	FWD	2496	132	180	02.00-01.05	■
2.5 TDI quattro (AKE)		Diesel	4WD	2496	132	180	02.00-01.05	■
2.5 TDI quattro (BAU)		Diesel	4WD	2496	132	180	02.00-01.05	■
2.5 TDI quattro (BDH)		Diesel	4WD	2496	132	180	02.00-01.05	■
A6 III C6 Avant (4F5) 11.04-08.11					Estate (Executive car-E Segment)			
2.0 TFSI (BPJ)		Gasolina	FWD	1984	125	170	06.05-08.11	■
2.4 (BDW)	discØ 314, PR 1LT	Gasolina	FWD	2393	130	177	03.05-10.08	■
2.4 quattro (BDW)	discØ 314, PR 1LT	Gasolina	4WD	2393	130	177	03.05-10.08	■
2.8 FSI (CCDA)		Gasolina	FWD	2773	140	190	10.08-08.11	■
2.8 FSI quattro (CCDA)		Gasolina	4WD	2773	140	190	10.08-08.11	■
2.8 FSI (BDX)		Gasolina	FWD	2773	154	210	11.06-10.08	■
2.8 FSI quattro (BDX)		Gasolina	4WD	2773	154	210	06.07-10.08	■

LISTA DE APLICACIONES - BUYERS GUIDE

2.8 FSI (CCEA)		Gasolina	FWD	2773	162	220	10.08-08.11	■
2.8 FSI quattro (CCEA)		Gasolina	4WD	2773	162	220	10.08-08.11	■
3.0 (BBJ)		Gasolina	FWD	2976	160	218	03.05-05.06	■
3.0 quattro (BBJ)		Gasolina	4WD	2976	160	218	03.05-05.06	■
3.0 TFSI quattro (CAJA)		Gasolina	4WD	2995	213	290	10.08-08.11	■
3.0 TFSI quattro (CCAA)		Gasolina	4WD	2995	220	299	10.08-08.11	■
3.2 FSI (AUK)		Gasolina	FWD	3123	188	255	03.05-10.08	■
3.2 FSI quattro (AUK)		Gasolina	4WD	3123	188	255	03.05-10.08	■
3.2 FSI quattro (BKH)		Gasolina	4WD	3123	188	255	03.05-10.08	■
4.2 quattro (BAT)		Gasolina	4WD	4163	246	335	03.05-05.06	■
4.2 FSI quattro (BVJ)		Gasolina	4WD	4163	257	350	06.06-08.11	■
2.0 TDI (BVG)		Diesel	FWD	1968	89	121	09.05-06.06	■
2.0 TDI (BNA)	discØ 314, PR 1LT	Diesel	FWD	1968	100	136	06.05-08.11	■
2.0 TDI (BRF)	discØ 314, PR 1LT	Diesel	FWD	1968	100	136	06.05-08.11	■
2.0 TDI (CAGB)	discØ 314, PR 1LT	Diesel	FWD	1968	100	136	06.05-08.11	■
2.0 TDI (BLB)	discØ 314, PR 1LT	Diesel	FWD	1968	103	140	06.05-10.08	■
2.0 TDI (BRE)	discØ 314, PR 1LT	Diesel	FWD	1968	103	140	06.05-10.08	■
2.0 TDI (CAHB)		Diesel	FWD	1968	120	163	04.09-08.11	■
2.0 TDI (CAHA)		Diesel	FWD	1968	125	170	10.08-08.11	■
2.7 TDI (BSG)		Diesel	FWD	2698	120	163	03.05-08.11	■
2.7 TDI (CANB)		Diesel	FWD	2698	120	163	03.05-08.11	■
2.7 TDI quattro (BSG)		Diesel	4WD	2698	120	163	06.05-08.11	■
2.7 TDI quattro (CAND)		Diesel	4WD	2698	120	163	06.05-08.11	■
2.7 TDI (BPP)		Diesel	FWD	2698	132	180	03.05-10.08	■
2.7 TDI quattro (BPP)		Diesel	4WD	2698	132	180	11.04-10.08	■
2.7 TDI (CANA)		Diesel	FWD	2698	140	190	10.08-08.11	■
2.7 TDI quattro (CANC)		Diesel	4WD	2698	140	190	10.08-08.11	■
3.0 TDI quattro (BNG)		Diesel	4WD	2967	155	211	03.05-08.11	■
3.0 TDI quattro (CDYB)		Diesel	4WD	2967	155	211	03.05-08.11	■
3.0 TDI quattro (BMK)		Diesel	4WD	2967	165	225	03.05-05.06	■
3.0 TDI		Diesel	FWD	2967	171	232	06.06-08.11	■
3.0 TDI quattro (ASB)		Diesel	4WD	2967	171	233	06.06-10.08	■
3.0 TDI quattro (CDYA)		Diesel	4WD	2967	176	240	10.08-08.11	■
3.0 TDI quattro (CDYC)		Diesel	4WD	2967	176	240	10.08-08.11	■
A6 III Allroad C6 (4FH) 03.06-08.11							Estate (Executive car-E Segment)	
3.0 TFSI quattro (CAJA)		Gasolina	4WD	2995	213	290	10.08-08.11	■
2.7 TDI quattro (CANC)		Diesel	4WD	2698	140	190	10.08-08.11	■
3.0 TDI quattro (CDYA)		Diesel	4WD	2967	176	240	10.08-08.11	■
3.0 TDI quattro (CDYC)		Diesel	4WD	2967	176	240	10.08-08.11	■
A6 III C6 (4F2) 04.04-08.11							Saloon (Executive car-E Segment)	
2.0 TFSI (BPJ)		Gasolina	FWD	1984	125	170	06.05-03.11	■
2.0 TFSI (BYK)		Gasolina	FWD	1984	125	170	06.05-03.11	■
2.4 (BDW)	discØ 314, PR 1LT	Gasolina	FWD	2393	130	177	05.04-10.08	■
2.4 quattro (BDW)	discØ 314, PR 1LT	Gasolina	4WD	2393	130	177	01.05-10.08	■
2.8 V6		Gasolina	FWD	2771	142	193	07.08-10.08	■
2.8 FSI (CCDA)		Gasolina	FWD	2773	140	190	10.08-03.11	■
2.8 FSI quattro (CCDA)		Gasolina	4WD	2773	140	190	10.08-03.11	■
2.8 FSI (BDX)		Gasolina	FWD	2773	154	210	11.06-10.08	■
2.8 FSI quattro (BDX)		Gasolina	4WD	2773	154	210	06.07-10.08	■
2.8 FSI (CCEA)		Gasolina	FWD	2773	162	220	10.08-03.11	■
2.8 FSI quattro (CCEA)		Gasolina	4WD	2773	162	220	10.08-03.11	■

LISTA DE APLICACIONES - BUYERS GUIDE

3.0 (BBJ)		Gasolina	FWD	2976	160	218	08.04-05.06	■
3.0 quattro (BBJ)		Gasolina	4WD	2976	160	218	05.04-05.06	■
3.0 TFSI quattro (CAJA)		Gasolina	4WD	2995	213	290	10.08-03.11	■
3.0 TFSI quattro (CCAA)		Gasolina	4WD	2995	220	299	10.08-03.11	■
3.2 FSI quattro (BYU)		Gasolina	4WD	3123	183	249	09.06-10.08	■
3.2 FSI (AUK)		Gasolina	FWD	3123	188	255	05.04-05.09	■
3.2 FSI (BKH)		Gasolina	FWD	3123	188	255	05.04-05.09	■
3.2 FSI quattro (AUK)		Gasolina	4WD	3123	188	255	05.04-10.08	■
3.2 FSI quattro (BKH)		Gasolina	4WD	3123	188	255	05.04-10.08	■
3.2 FSI (CALA)	PR 1LT, discØ 314	Gasolina	FWD	3197	195	265	05.09-03.11	■
4.2 quattro (BAT)		Gasolina	4WD	4163	246	335	05.04-05.06	■
4.2 quattro (BNK)		Gasolina	4WD	4163	246	335	05.04-05.06	■
4.2 FSI quattro (BVJ)		Gasolina	4WD	4163	257	350	06.06-03.11	■
2.0 TDI (BVG)	discØ 314, PR 1LT	Diesel	FWD	1968	89	121	09.05-06.06	■
2.0 TDI (BNA)	discØ 314, PR 1LT	Diesel	FWD	1968	100	136	07.04-03.11	■
2.0 TDI (BRF)	discØ 314, PR 1LT	Diesel	FWD	1968	100	136	07.04-03.11	■
2.0 TDI (CAGB)	discØ 314, PR 1LT	Diesel	FWD	1968	100	136	07.04-03.11	■
2.0 TDI (BLB)	discØ 314, PR 1LT	Diesel	FWD	1968	103	140	07.04-10.08	■
2.0 TDI (BRE)	discØ 314, PR 1LT	Diesel	FWD	1968	103	140	07.04-10.08	■
2.0 TDI (CAHB)		Diesel	FWD	1968	120	163	04.09-03.11	■
2.0 TDI (CAHA)		Diesel	FWD	1968	125	170	11.08-03.11	■
2.7 TDI (BSG)		Diesel	FWD	2698	120	163	11.04-03.11	■
2.7 TDI (CANB)		Diesel	FWD	2698	120	163	11.04-03.11	■
2.7 TDI quattro (BSG)		Diesel	4WD	2698	120	163	06.05-03.11	■
2.7 TDI quattro (CAND)		Diesel	4WD	2698	120	163	06.05-03.11	■
2.7 TDI (BPP)		Diesel	FWD	2698	132	180	11.04-10.08	■
2.7 TDI quattro (BPP)		Diesel	4WD	2698	132	180	11.04-10.08	■
2.7 TDI (CANA)		Diesel	FWD	2698	140	190	10.08-03.11	■
2.7 TDI quattro (CANC)		Diesel	4WD	2698	140	190	10.08-03.11	■
3.0 TDI quattro (BNG)		Diesel	4WD	2967	155	211	05.04-03.11	■
3.0 TDI quattro (CDYB)		Diesel	4WD	2967	155	211	05.04-03.11	■
3.0 TDI quattro (BMK)		Diesel	4WD	2967	165	225	05.04-05.06	■
3.0 TDI		Diesel	RWD	2967	171	232	06.06-03.11	■
3.0 TDI quattro (ASB)		Diesel	4WD	2967	171	233	06.06-10.08	■
3.0 TDI quattro (CDYA)		Diesel	4WD	2967	176	240	10.08-03.11	■
3.0 TDI quattro (CDYC)		Diesel	4WD	2967	176	240	10.08-03.11	■

SEAT

				Saloon (Compact executive car-D Segment)				
EXEO (3R2) 12.08-								
1.6 (ALZ)		Gasolina	FWD	1595	75	102	03.09-09.10	■
1.8 T (CFMA)	01/09-	Gasolina	FWD	1781	110	150	12.08-05.10	■
1.8 TSI (CDHA)		Gasolina	FWD	1798	88	120	09.10-05.13	■
1.8 TSI (CDHB)		Gasolina	FWD	1798	118	160	05.10-05.13	■
2.0 TFSI (BWE)		Gasolina	FWD	1984	147	200	03.09-05.13	■
2.0 TFSI (CDND)		Gasolina	FWD	1984	155	211	05.10-05.13	■
2.0 TDI (CAGC)	01/09-	Diesel	FWD	1968	88	120	12.08-05.13	■
2.0 TDI (CJCC)	01/09-	Diesel	FWD	1968	88	120	12.08-05.13	■
2.0 TDI (CAGA)	01/09-	Diesel	FWD	1968	105	143	12.08-05.13	■
2.0 TDI (CJCA)	01/09-	Diesel	FWD	1968	105	143	12.08-05.13	■
2.0 TDI (CAHA)		Diesel	FWD	1968	125	170	02.09-05.13	■
2.0 TDI (CGLB)		Diesel	FWD	1968	125	170	02.09-05.13	■

LISTA DE APLICACIONES - BUYERS GUIDE

EXEO Station Wagon (3R5) 05.09-					Estate (Compact executive car-D Segment)			
1.6 (ALZ)		Gasolina	FWD	1595	75	102	06.09-09.10	■
1.8 T (CFMA)		Gasolina	FWD	1781	110	150	06.09-05.10	■
1.8 TSI (CDHA)		Gasolina	FWD	1798	88	120	09.10-05.13	■
1.8 TSI (CDHB)		Gasolina	FWD	1798	118	160	05.10-05.13	■
2.0 TFSI (BWE)		Gasolina	FWD	1984	147	200	06.09-05.13	■
2.0 TFSI (CDND)		Gasolina	FWD	1984	155	211	05.10-05.13	■
2.0 TDI (CAGC)		Diesel	FWD	1968	88	120	07.09-05.13	■
2.0 TDI (CJCC)		Diesel	FWD	1968	88	120	07.09-05.13	■
2.0 TDI (CAGA)		Diesel	FWD	1968	105	143	05.09-05.13	■
2.0 TDI (CJCA)		Diesel	FWD	1968	105	143	05.09-05.13	■
2.0 TDI (CAHA)		Diesel	FWD	1968	125	170	05.09-05.13	■
2.0 TDI (CGLB)		Diesel	FWD	1968	125	170	05.09-05.13	■
IBIZA III (6L1) 02.02-11.09					Hatchback (Supermini car-B Segment)			
1.9 TDI Joya Racer (ASZ)		Diesel	FWD	1896	112	152	07.03-06.04	■
SKODA								
SUPERB (3U4) 12.01-03.08					Saloon (Executive car-E Segment)			
1.8 T (AWT)		Gasolina	FWD	1781	110	150	12.01-03.08	■
2.0 (AZM)		Gasolina	FWD	1984	85	115	12.01-03.08	■
1.9 TDI (AVB)		Diesel	FWD	1896	74	101	08.02-10.05	■
1.9 TDI (BSV)		Diesel	FWD	1896	77	105	10.05-05.07	■
1.9 TDI (BPZ)		Diesel	FWD	1896	85	115	01.07-03.08	■
1.9 TDI (AVF)		Diesel	FWD	1896	96	130	12.01-03.08	■
1.9 TDI (AWX)		Diesel	FWD	1896	96	130	12.01-03.08	■
2.0 TDI (BWW)	PR 1ZC, discØ 288	Diesel	FWD	1968	91	124	02.06-03.08	■
2.0 TDI (BSS)		Diesel	FWD	1968	103	140	10.05-03.08	■
VW								
GOLF IV (1J1) 08.97-04.08					Hatchback (Compact car-C Segment)			
1.6 FSI (BAD)	-12/03	Gasolina	FWD	1598	81	110	01.02-06.05	■
1.8 T GTI (AGU)	01/01-	Gasolina	FWD	1781	110	150	08.97-06.05	■
1.8 T GTI (AQA)	01/01-	Gasolina	FWD	1781	110	150	08.97-06.05	■
1.8 T GTI (ARZ)	01/01-	Gasolina	FWD	1781	110	150	08.97-06.05	■
1.8 T GTI (AUM)	01/01-	Gasolina	FWD	1781	110	150	08.97-06.05	■
1.8 T GTI (AWD)	01/01-	Gasolina	FWD	1781	110	150	08.97-06.05	■
1.8 T GTI (AWW)	01/01-	Gasolina	FWD	1781	110	150	08.97-06.05	■
1.8 T GTI (AUQ)	-12/03	Gasolina	FWD	1781	132	180	08.01-06.05	■
1.8 T GTI (AWP)	-12/03	Gasolina	FWD	1781	132	180	08.01-06.05	■
2.3 V5 (AQN)	01/01-	Gasolina	FWD	2324	125	170	10.00-06.05	■
2.3 V5 4motion (AQN)	01/01-	Gasolina	4WD	2324	125	170	10.00-06.05	■
2.8 VR6	01/01-	Gasolina	FWD	2792	130	177	01.99-07.03	■
2.8 VR6		Gasolina	FWD	2792	147	200	03.02-06.05	■
2.8 VR6 4motion (AQP)	01/01-	Gasolina	4WD	2792	150	204	03.99-06.05	■
2.8 VR6 4motion (AUE)	01/01-	Gasolina	4WD	2792	150	204	03.99-06.05	■
2.8 VR6 4motion (BDE)	01/01-	Gasolina	4WD	2792	150	204	03.99-06.05	■
1.9 TDI (ASZ)	01/01-	Diesel	FWD	1896	96	130	11.00-06.05	■
1.9 TDI 4motion (ASZ)	01/01-	Diesel	4WD	1896	96	130	11.00-06.05	■
1.9 TDI (ARL)	01/01-	Diesel	FWD	1896	110	150	05.00-06.05	■
1.9 TDI 4motion (ARL)	01/01-	Diesel	4WD	1896	110	150	02.00-06.05	■

LISTA DE APLICACIONES - BUYERS GUIDE

GOLF IV VAN Variant / JETTA IV (1J5) 05.99-06.06					Estate Van (Compact car-C Segment)			
1.9 TDI		Diesel	FWD	1896	96	131	04.01-05.06	■
GOLF IV Variant / JETTA IV (1J5) 05.99-06.06					Estate (Compact car-C Segment)			
1.6 FSI (BAD)	-12/03	Gasolina	FWD	1598	81	110	01.02-06.06	■
1.8 T (AGU)	01/01-	Gasolina	FWD	1781	110	150	05.00-06.06	■
1.8 T (ARZ)	01/01-	Gasolina	FWD	1781	110	150	05.00-06.06	■
1.8 T (AUM)	01/01-	Gasolina	FWD	1781	110	150	05.00-06.06	■
1.8 T	01/01-	Gasolina	FWD	1781	127	173	09.99-12.01	■
2.3 V5 (AQN)	01/01-	Gasolina	FWD	2324	125	170	10.00-06.06	■
2.3 V5 4motion (AQN)	01/01-	Gasolina	4WD	2324	125	170	10.00-06.06	■
2.8 V6	01/01-	Gasolina	FWD	2792	128	174	09.00-12.04	■
2.8 V6 4motion (AQP)	01/01-	Gasolina	4WD	2792	150	204	05.99-06.06	■
2.8 V6 4motion (AUE)	01/01-	Gasolina	4WD	2792	150	204	05.99-06.06	■
2.8 V6 4motion (BDE)	01/01-	Gasolina	4WD	2792	150	204	05.99-06.06	■
1.9 TDI (ASZ)	01/01-	Diesel	FWD	1896	96	130	11.00-06.06	■
1.9 TDI 4motion (ASZ)	01/01-	Diesel	4WD	1896	96	130	11.00-06.06	■
1.9 TDI (ARL)	-12/03	Diesel	FWD	1896	110	150	06.01-06.06	■
PASSAT B5 (3B2) 08.96-12.01					Saloon (Large family car-D Segment)			
1.6 (ADP)		Gasolina	FWD	1595	74	101	10.96-11.00	■
1.6 (AHL)		Gasolina	FWD	1595	74	101	10.96-11.00	■
1.6 (ANA)		Gasolina	FWD	1595	74	101	10.96-11.00	■
1.6 (ARM)		Gasolina	FWD	1595	74	101	10.96-11.00	■
1.6 (ALZ)		Gasolina	FWD	1595	75	102	11.00-05.05	■
1.8 (AFY)	-12/99	Gasolina	FWD	1781	85	115	01.97-11.00	■
1.8 (ADR)	01/99-	Gasolina	FWD	1781	92	125	10.96-11.00	■
1.8 (APT)	01/99-	Gasolina	FWD	1781	92	125	10.96-11.00	■
1.8 (ARG)	01/99-	Gasolina	FWD	1781	92	125	10.96-11.00	■
1.8		Gasolina	FWD	1781	92	125	03.03-03.05	■
1.8 Syncro/4motion (ADR)	-12/99	Gasolina	4WD	1781	92	125	12.96-08.00	■
1.8 Syncro/4motion (APT)	-12/99	Gasolina	4WD	1781	92	125	12.96-08.00	■
1.8 Syncro/4motion (ARG)	-12/99	Gasolina	4WD	1781	92	125	12.96-08.00	■
1.8 T (AEB)	01/99-	Gasolina	FWD	1781	110	150	10.96-11.00	■
1.8 T (ANB)	01/99-	Gasolina	FWD	1781	110	150	10.96-11.00	■
1.8 T (APU)	01/99-	Gasolina	FWD	1781	110	150	10.96-11.00	■
1.8 T (ATW)	01/99-	Gasolina	FWD	1781	110	150	10.96-11.00	■
1.8 T (AUG)	01/99-	Gasolina	FWD	1781	110	150	10.96-11.00	■
1.8 T 20V (AWT)	01/01-	Gasolina	FWD	1781	110	150	11.00-05.05	■
1.8 T (AWM)	PR 1LE, PR 1LT, PR 1ZC, discØ 288, discØ 312	Gasolina	FWD	1781	125	170	02.01-11.05	■
1.8 T 4motion (AWM)	PR 1LE, PR 1LT, PR 1ZC, discØ 288, discØ 312	Gasolina	4WD	1781	125	170	11.03-05.05	■
2.0 (AZM)	01/01-	Gasolina	FWD	1984	85	115	11.00-05.05	■
2.0 4motion (AZM)	01/01-	Gasolina	4WD	1984	85	115	11.00-05.05	■
2.0 (ASU)		Gasolina	FWD	1984	88	120	04.00-11.00	■
2.0 (AUZ)		Gasolina	FWD	1984	88	120	04.00-11.00	■
2.0 4motion (ASU)		Gasolina	4WD	1984	88	120	04.00-11.00	■
2.0 (ALT)		Gasolina	FWD	1984	96	130	11.01-05.05	■
2.3 VR5 (AGZ)	01/99-	Gasolina	FWD	2324	110	150	10.96-11.00	■
2.3 VR5 Syncro/4motion (AGZ)	01/99-	Gasolina	4WD	2324	110	150	10.97-11.00	■
2.3 V5 (AZX)	01/01-	Gasolina	FWD	2324	125	170	11.00-05.05	■
2.3 V5 4motion (AZX)	01/01-	Gasolina	4WD	2324	125	170	11.00-05.05	■

LISTA DE APLICACIONES - BUYERS GUIDE

2.8 Syncro (AGE)	01/99-	Gasolina	4WD	2771	132	180	05.97-09.99	■
2.8 V6 (AGE)	01/99-	Gasolina	FWD	2771	132	180	05.97-09.99	■
2.8 (BBG)		Gasolina	FWD	2771	140	190	10.00-05.05	■
2.8 4motion (BBG)		Gasolina	4WD	2771	140	190	10.00-05.05	■
2.8 V6 (ATX)		Gasolina	FWD	2771	140	190	09.99-11.00	■
2.8 V6 (BBG)		Gasolina	FWD	2771	140	190	09.99-11.00	■
2.8 V6 4motion (ATX)		Gasolina	4WD	2771	140	190	09.99-11.00	■
2.8 (AMX)		Gasolina	FWD	2771	142	193	05.02-05.03	■
2.8 (ATQ)		Gasolina	FWD	2771	142	193	05.02-05.03	■
2.8 4motion (AMX)	01/01-	Gasolina	4WD	2771	142	193	11.00-05.05	■
2.8 4motion (ATQ)	01/01-	Gasolina	4WD	2771	142	193	11.00-05.05	■
2.8 V6 (ACK)	01/99-	Gasolina	FWD	2771	142	193	08.96-11.00	■
2.8 V6 (AHA)	01/99-	Gasolina	FWD	2771	142	193	08.96-11.00	■
2.8 V6 (APR)	01/99-	Gasolina	FWD	2771	142	193	08.96-11.00	■
2.8 V6 (AQD)	01/99-	Gasolina	FWD	2771	142	193	08.96-11.00	■
2.8 V6 Syncro/4motion (ACK)	01/99-	Gasolina	4WD	2771	142	193	10.96-11.00	■
2.8 V6 Syncro/4motion (AHA)	01/99-	Gasolina	4WD	2771	142	193	10.96-11.00	■
2.8 V6 Syncro/4motion (ALG)	01/99-	Gasolina	4WD	2771	142	193	10.96-11.00	■
2.8 V6 Syncro/4motion (APR)	01/99-	Gasolina	4WD	2771	142	193	10.96-11.00	■
2.8 V6 Syncro/4motion (AQD)	01/99-	Gasolina	4WD	2771	142	193	10.96-11.00	■
4.0 W8 4motion (BDN)		Gasolina	4WD	3999	202	275	09.01-09.04	■
4.0 W8 4motion (BDP)		Gasolina	4WD	3999	202	275	09.01-09.04	■
1.9 TDI (AHH)	-12/99	Diesel	FWD	1896	66	90	10.96-11.00	■
1.9 TDI (AHU)	-12/99	Diesel	FWD	1896	66	90	10.96-11.00	■
1.9 TDI (AVB)		Diesel	FWD	1896	74	101	02.00-11.00	■
1.9 TDI (AVB)	01/01-	Diesel	FWD	1896	74	101	11.00-05.05	■
1.9 TDI (AFN)	01/99-	Diesel	FWD	1896	81	110	10.96-11.00	■
1.9 TDI (AVG)	01/99-	Diesel	FWD	1896	81	110	10.96-11.00	■
1.9 TDI Syncro/4motion (AFN)	01/99-	Diesel	4WD	1896	81	110	06.97-08.00	■
1.9 TDI Syncro/4motion (AVG)	01/99-	Diesel	4WD	1896	81	110	06.97-08.00	■
1.9 TDI (AJM)	01/99-	Diesel	FWD	1896	85	115	08.98-11.00	■
1.9 TDI (ATJ)	01/99-	Diesel	FWD	1896	85	115	08.98-11.00	■
1.9 TDI 4motion (ATJ)		Diesel	4WD	1896	85	115	08.99-11.00	■
1.9 TDI (AVF)	01/01-	Diesel	FWD	1896	96	130	11.00-05.05	■
1.9 TDI (AWX)	01/01-	Diesel	FWD	1896	96	130	11.00-05.05	■
1.9 TDI 4motion (AVF)	01/01-	Diesel	4WD	1896	96	130	11.00-05.05	■
2.0 TDI (BGW)		Diesel	FWD	1968	100	136	12.03-05.05	■
2.0 TDI (BHW)		Diesel	FWD	1968	100	136	12.03-05.05	■
2.5 TDI (AFB)	01/99-	Diesel	FWD	2496	110	150	07.98-11.00	■
2.5 TDI (AKN)	01/99-	Diesel	FWD	2496	110	150	07.98-11.00	■
2.5 TDI (AKN)	01/01-	Diesel	FWD	2496	110	150	11.00-05.05	■
2.5 TDI 4motion (AFB)	01/01-	Diesel	4WD	2496	110	150	11.00-05.05	■
2.5 TDI 4motion (AKN)	01/01-	Diesel	4WD	2496	110	150	11.00-05.05	■
2.5 TDI Syncro/4motion (AFB)	01/99-	Diesel	4WD	2496	110	150	12.98-11.00	■
2.5 TDI Syncro/4motion (AKN)	01/99-	Diesel	4WD	2496	110	150	12.98-11.00	■
2.5 TDI (BDG)		Diesel	FWD	2496	120	163	05.03-05.05	■
2.5 TDI 4motion (BAU)		Diesel	4WD	2496	132	180	01.03-05.05	■
2.5 TDI 4motion (BDH)		Diesel	4WD	2496	132	180	01.03-05.05	■
PASSAT B5 Variant (3B5) 05.97-12.01					Estate (Large family car-D Segment)			
1.6 (ADP)		Gasolina	FWD	1595	74	101	06.97-11.00	■
1.6 (AHL)		Gasolina	FWD	1595	74	101	06.97-11.00	■

LISTA DE APLICACIONES - BUYERS GUIDE

1.6 (ANA)		Gasolina	FWD	1595	74	101	06.97-11.00	■
1.6 (ARM)		Gasolina	FWD	1595	74	101	06.97-11.00	■
1.6 (ALZ)		Gasolina	FWD	1595	75	102	11.00-05.05	■
1.8 (AFY)	-12/99	Gasolina	FWD	1781	85	115	06.97-11.00	■
1.8 (ADR)	-12/99	Gasolina	FWD	1781	92	125	06.97-11.00	■
1.8 (APT)	-12/99	Gasolina	FWD	1781	92	125	06.97-11.00	■
1.8 (ARG)	-12/99	Gasolina	FWD	1781	92	125	06.97-11.00	■
1.8 Syncro/4motion (ADR)	-12/99	Gasolina	4WD	1781	92	125	06.97-11.00	■
1.8 Syncro/4motion (APT)	-12/99	Gasolina	4WD	1781	92	125	06.97-11.00	■
1.8 Syncro/4motion (ARG)	-12/99	Gasolina	4WD	1781	92	125	06.97-11.00	■
1.8 T (AEB)	01/99-	Gasolina	FWD	1781	110	150	05.97-11.00	■
1.8 T (ANB)	01/99-	Gasolina	FWD	1781	110	150	05.97-11.00	■
1.8 T (APU)	01/99-	Gasolina	FWD	1781	110	150	05.97-11.00	■
1.8 T (ATW)	01/99-	Gasolina	FWD	1781	110	150	05.97-11.00	■
1.8 T (AUG)	01/99-	Gasolina	FWD	1781	110	150	05.97-11.00	■
1.8 T 20V (AWT)	01/01-	Gasolina	FWD	1781	110	150	11.00-05.05	■
1.8 4motion (AWM)	PR 1LE, PR 1LT, PR 1ZC, discØ 288, discØ 312	Gasolina	4WD	1781	125	170	11.03-05.05	■
1.8 T (AWM)		Gasolina	FWD	1781	125	170	05.02-08.05	■
2.0 (AZM)	01/01-	Gasolina	FWD	1984	85	115	11.00-05.05	■
2.0 4motion (AZM)	01/01-	Gasolina	4WD	1984	85	115	11.00-05.05	■
2.0 (ASU)		Gasolina	FWD	1984	88	120	04.00-11.00	■
2.0 (AUZ)		Gasolina	FWD	1984	88	120	04.00-11.00	■
2.0 4motion (ASU)		Gasolina	4WD	1984	88	120	04.00-11.00	■
2.0 4motion (AUZ)		Gasolina	4WD	1984	88	120	04.00-11.00	■
2.0 (ALT)		Gasolina	FWD	1984	96	130	11.01-05.05	■
2.3 VR5 (AGZ)	01/99-	Gasolina	FWD	2324	110	150	06.97-11.00	■
2.3 VR5 Syncro/4motion (AGZ)	01/99-	Gasolina	4WD	2324	110	150	10.97-11.00	■
2.3 VR5 (AZX)	01/01-	Gasolina	FWD	2324	125	170	11.00-05.05	■
2.3 VR5 4motion (AZX)	01/01-	Gasolina	4WD	2324	125	170	11.00-05.05	■
2.8	01/99-	Gasolina	FWD	2771	132	180	05.97-09.99	■
2.8 V6 (AGE)	01/99-	Gasolina	FWD	2771	132	180	09.97-09.99	■
2.8 (BBG)		Gasolina	FWD	2771	140	190	10.00-05.05	■
2.8 4motion (BBG)		Gasolina	4WD	2771	140	190	10.00-05.05	■
2.8 V6 (ATX)		Gasolina	FWD	2771	140	190	09.99-11.00	■
2.8 V6 4motion (ATX)		Gasolina	4WD	2771	140	190	09.99-11.00	■
2.8 (ATQ)		Gasolina	FWD	2771	142	193	10.00-08.05	■
2.8 4motion (AMX)	01/01-	Gasolina	4WD	2771	142	193	11.00-05.05	■
2.8 4motion (ATQ)	01/01-	Gasolina	4WD	2771	142	193	11.00-05.05	■
2.8 V6 (ACK)	01/99-	Gasolina	FWD	2771	142	193	06.97-11.00	■
2.8 V6 (AHA)	01/99-	Gasolina	FWD	2771	142	193	06.97-11.00	■
2.8 V6 (APR)	01/99-	Gasolina	FWD	2771	142	193	06.97-11.00	■
2.8 V6 (AQD)	01/99-	Gasolina	FWD	2771	142	193	06.97-11.00	■
2.8 V6 (ATQ)	01/99-	Gasolina	FWD	2771	142	193	06.97-11.00	■
2.8 V6 Syncro/4motion (ACK)	01/99-	Gasolina	4WD	2771	142	193	06.97-11.00	■
2.8 V6 Syncro/4motion (AHA)	01/99-	Gasolina	4WD	2771	142	193	06.97-11.00	■
2.8 V6 Syncro/4motion (ALG)	01/99-	Gasolina	4WD	2771	142	193	06.97-11.00	■
2.8 V6 Syncro/4motion (APR)	01/99-	Gasolina	4WD	2771	142	193	06.97-11.00	■
2.8 V6 Syncro/4motion (AQD)	01/99-	Gasolina	4WD	2771	142	193	06.97-11.00	■
2.8 V6 Syncro/4motion (ATQ)	01/99-	Gasolina	4WD	2771	142	193	06.97-11.00	■
4.0 W8 4motion (BDN)		Gasolina	4WD	3999	202	275	09.01-09.04	■
4.0 W8 4motion (BDP)		Gasolina	4WD	3999	202	275	09.01-09.04	■

LISTA DE APLICACIONES - BUYERS GUIDE

1.9 TDI (AHH)	01/99-	Diesel	FWD	1896	66	90	06.97-11.00	■
1.9 TDI (AHU)	01/99-	Diesel	FWD	1896	66	90	06.97-11.00	■
1.9 TDI (AVB)		Diesel	FWD	1896	74	101	02.00-11.00	■
1.9 TDI (AVB)	01/01-	Diesel	FWD	1896	74	101	11.00-05.05	■
1.9 TDI (AFN)	01/99-	Diesel	FWD	1896	81	110	06.97-11.00	■
1.9 TDI (AVG)	01/99-	Diesel	FWD	1896	81	110	06.97-11.00	■
1.9 TDI Syncro/4motion (AFN)	01/99-	Diesel	4WD	1896	81	110	06.97-08.00	■
1.9 TDI Syncro/4motion (AVG)	01/99-	Diesel	4WD	1896	81	110	06.97-08.00	■
1.9 TDI (AJM)	-12/99	Diesel	FWD	1896	85	115	08.98-11.00	■
1.9 TDI (ATJ)	-12/99	Diesel	FWD	1896	85	115	08.98-11.00	■
1.9 TDI 4motion (AJM)		Diesel	4WD	1896	85	115	08.99-11.00	■
1.9 TDI 4motion (ATJ)		Diesel	4WD	1896	85	115	08.99-11.00	■
1.9 TDI (AVF)	01/01-	Diesel	FWD	1896	96	130	11.00-05.05	■
1.9 TDI (AWX)	01/01-	Diesel	FWD	1896	96	130	11.00-05.05	■
1.9 TDI 4motion (AVF)	01/01-	Diesel	4WD	1896	96	130	11.00-05.05	■
2.0 TDI (BGW)		Diesel	FWD	1968	100	136	12.03-05.05	■
2.0 TDI (BHW)		Diesel	FWD	1968	100	136	12.03-05.05	■
2.5 TDI (AFB)	01/99-	Diesel	FWD	2496	110	150	07.98-11.00	■
2.5 TDI (AKN)	01/99-	Diesel	FWD	2496	110	150	07.98-11.00	■
2.5 TDI (AKN)	01/01-	Diesel	FWD	2496	110	150	11.00-05.05	■
2.5 TDI 4motion (AKN)	01/01-	Diesel	4WD	2496	110	150	11.00-05.05	■
2.5 TDI Syncro/4motion (AFB)	01/99-	Diesel	4WD	2496	110	150	12.98-11.00	■
2.5 TDI Syncro/4motion (AKN)	01/99-	Diesel	4WD	2496	110	150	12.98-11.00	■
2.5 TDI (BDG)		Diesel	FWD	2496	120	163	05.03-05.05	■
2.5 TDI 4motion (BAU)		Diesel	4WD	2496	132	180	01.03-05.05	■
2.5 TDI 4motion (BDH)		Diesel	4WD	2496	132	180	01.03-05.05	■