

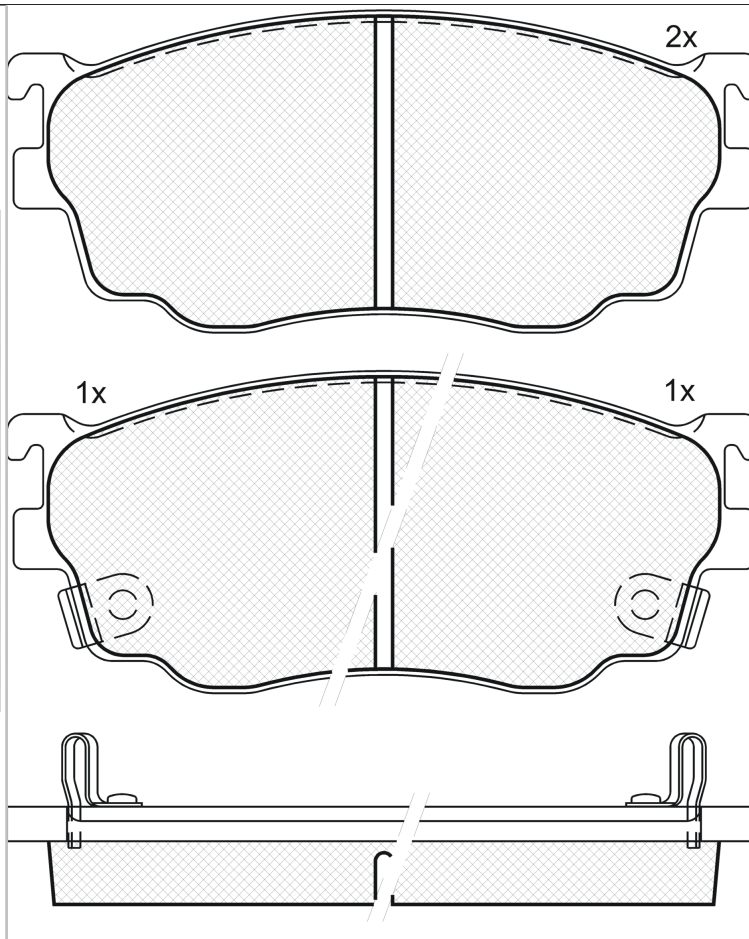
LISTA DE APLICACIONES - BUYERS GUIDE

181334



Qty: 300

Weight: 1.510



181334

E1 90R-01101/320



Sumitomo

131.35x56.1x17

WVA

23777

23778

23779

FMSI

D755-7624

MAKE

MAZDA

MAZDA (HAINAN)

| O.E.M. | MAKE |
|--------------|-------|
| CBY3-33-23Z | MAZDA |
| CBY3-33-28Z | MAZDA |
| CBY4-33-23Z | MAZDA |
| CBY4-33-28Z | MAZDA |
| G1YC-33-23Z | MAZDA |
| G1YC-33-23ZA | MAZDA |
| G1YC-33-23ZB | MAZDA |
| G1YC-33-28ZA | MAZDA |
| G1YC-33-28ZB | MAZDA |
| G1YC-33-28ZC | MAZDA |
| G1YN-33-23Z | MAZDA |
| G1YN-33-23ZA | MAZDA |
| G1YN-33-28Z | MAZDA |
| G1YN-33-28ZA | MAZDA |
| G1YN-33-28ZB | MAZDA |
| GFYR-33-23Z | MAZDA |
| GFYR-33-28Z | MAZDA |
| GJYA-33-28ZA | MAZDA |



| Trac. | CC | Kw | CV |
|-------|----|----|----|
|-------|----|----|----|



Front / Rear

MAZDA

| MAZDA | | | | | | | Hatchback (Compact car-C Segment) | | |
|---|--------|----------|-----|------|-----|-----|-------------------------------------|---|--|
| 323 F VIII / 323 ASTINA / 323 F-P / ETUDE / FAMILIA (BJ) 09.98-07.04 | | | | | | | | | |
| 1.4 (BJ3P) (B3 (16V)) | | Gasolina | FWD | 1324 | 53 | 72 | 01.01-05.04 | ■ | |
| 2.0 (BJFW) (FS7E) | | Gasolina | FWD | 1991 | 96 | 131 | 01.01-05.04 | ■ | |
| 2.0 (BJFW) (FS7G) | | Gasolina | FWD | 1991 | 96 | 131 | 01.01-05.04 | ■ | |
| 323 S VIII / 323 PROTEGÉ / ETUDE / FAMILIA (BJ) 05.98-07.04 | | | | | | | Saloon (Compact car-C Segment) | | |
| 2.0 (BJ10S) (FS) | | Gasolina | FWD | 1991 | 98 | 133 | 02.00-05.04 | ■ | |
| 626 VII / CAPELLA (GF) 05.97-12.02 | | | | | | | Hatchback (Executive car-E Segment) | | |
| 1.9 (FP) | | Gasolina | FWD | 1840 | 74 | 100 | 12.99-10.02 | ■ | |
| 1.9 (GF8P) (FP) | | Gasolina | FWD | 1840 | 74 | 100 | 12.99-10.02 | ■ | |
| 2.0 (GFEP) (FS) | 01/99- | Gasolina | FWD | 1991 | 85 | 115 | 05.97-10.02 | ■ | |
| 2.0 H.P. (GFEP) (FS2C) | 01/99- | Gasolina | FWD | 1991 | 100 | 136 | 02.98-10.02 | ■ | |
| 2.0 DITD (GFFP) (RF3F) | | Diesel | FWD | 1998 | 66 | 90 | 04.98-10.02 | ■ | |
| 2.0 Turbo DI (GFFP) (RF4F) | | Diesel | FWD | 1998 | 74 | 101 | 04.98-10.02 | ■ | |
| 2.0 TD (GFFP) (RF4F) | | Diesel | FWD | 1998 | 81 | 110 | 10.00-10.02 | ■ | |
| 626 VII / CAPELLA (GF) 05.97-05.06 | | | | | | | Saloon (Executive car-E Segment) | | |
| 2.0 (GFEP, GF12) (FS) | 01/99- | Gasolina | FWD | 1991 | 85 | 115 | 05.97-10.02 | ■ | |
| 2.0 (GFEP) (FS2C) | 01/99- | Gasolina | FWD | 1991 | 100 | 136 | 04.98-10.02 | ■ | |
| 2.0 DITD (GFFP) (RF3F) | | Diesel | FWD | 1998 | 66 | 90 | 04.98-10.02 | ■ | |
| 2.0 Turbo DI (GFFP) (RF4F) | | Diesel | FWD | 1998 | 74 | 101 | 04.98-10.02 | ■ | |
| 2.0 TD (GFFP) (RF4F) | | Diesel | FWD | 1998 | 81 | 110 | 10.00-10.02 | ■ | |
| 626 VII / CAPELLA Station Wagon (GW) 01.98-05.03 | | | | | | | Estate (Executive car-E Segment) | | |
| 1.8 (GW8W) (FP9A) | -12/01 | Gasolina | FWD | 1840 | 74 | 100 | 01.00-10.02 | ■ | |

LISTA DE APLICACIONES - BUYERS GUIDE

| | | | | | | | | | |
|---|--------|----------|-----|------|-----|-----|--|---|--|
| 1.9 (FP9A) | | Gasolina | FWD | 1840 | 74 | 100 | 01.00-10.02 | ■ | |
| 2.0 (GWEW) (FS) | 01/99- | Gasolina | FWD | 1991 | 85 | 116 | 02.98-10.02 | ■ | |
| 2.0 H.P. (GWEW) (FS2C) | 01/99- | Gasolina | FWD | 1991 | 100 | 136 | 02.98-10.02 | ■ | |
| 2.0 DITD (GWFW) (RF3F) | | Diesel | FWD | 1998 | 66 | 90 | 09.99-10.02 | ■ | |
| 2.0 Turbo DI (GWFW) (RF4F) | | Diesel | FWD | 1998 | 74 | 101 | 04.98-10.02 | ■ | |
| 2.0 TD (GWFW) (RF4F) | -12/01 | Diesel | FWD | 1998 | 81 | 110 | 10.00-10.02 | ■ | |
| PREMACY (CP_) 01.99-06.05 | | | | | | | Box Body/MPV (Compact MPV-M1 Segment) | | |
| 1.8 (CP19) | | Gasolina | FWD | 1840 | 74 | 101 | 07.99-06.05 | ■ | |
| 1.8 (CP19) | | Gasolina | FWD | 1840 | 84 | 114 | 07.99-03.05 | ■ | |
| 2.0 (CP19) | | Gasolina | FWD | 1991 | 96 | 131 | 08.01-06.05 | ■ | |
| DiTD (CP19) | | Diesel | FWD | 1998 | 74 | 101 | 08.00-06.05 | ■ | |
| PREMACY (CP) 01.99-03.05 | | | | | | | MPV (Compact MPV-M1 Segment) | | |
| 1.9 (CP8W) (FP) | | Gasolina | FWD | 1840 | 74 | 100 | 07.99-03.05 | ■ | |
| 2.0 (CP10S) (FS7E) | | Gasolina | FWD | 1991 | 96 | 131 | 11.01-03.05 | ■ | |
| 2.0 (CP10S) (FS7G) | | Gasolina | FWD | 1991 | 96 | 131 | 11.01-03.05 | ■ | |
| 2.0 TD (RF4F) | | Diesel | FWD | 1998 | 74 | 101 | 07.00-03.05 | ■ | |
| PROTEGE MAZDASPEED (U.S.A.) 01.03- | | | | | | | Saloon (Compact car-C Segment) | | |
| 2.0 | 01/03- | Gasolina | FWD | 1995 | 125 | 170 | 01.03- | ■ | |
| MAZDA (HAINAN) | | | | | | | | | |
| PREMACY 01.01-02.07 | | | | | | | MPV (Compact MPV-M1 Segment) | | |
| 1.8 | | Gasolina | FWD | 1839 | 90 | 121 | 01.01-02.07 | ■ | |