

# LISTA DE APLICACIONES - BUYERS GUIDE

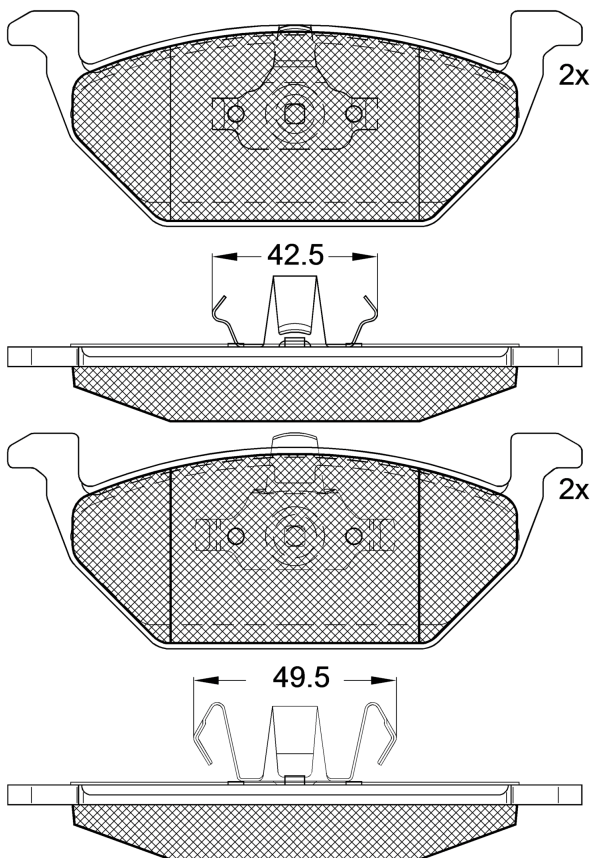
## 181338



Qty: 300

Weight: 1.585

O.E.M.	MAKE
1J0 698 151	VW
1J0 698 151 A	VW
1J0 698 151 C	VW
1J0 698 151 H	VW
1J0 698 151 J	VW
1JE 698 151 B	VW
1S0 698 151	VW
1S0 698 151 A	VW
1S0 698 151 B	VW
1S0 698 151 C	VW
1S0698151D	SEAT
2Q0 698 151	SEAT
2Q0 698 151 A	VW
6C0 698 151 A	VW
6C0 698 151 B	VW
6C0 698 151 C	VW
6Q0 698 151	VW
6R0 698 151 A	VW
JZW 698 151 A	VW
JZW 698 151 AF	VW



## 181338

E 9 90R-01111/413



Ate - Teves

146x54.7x19.5

WVA	FMSI
21974	D768-7860
23130	
23131	

MAKE
AUDI
JETTA
ROEWE (SAIC)
SEAT
SKODA
SKODA (SVW)
STREETSCOOTER
VW
VW (FAW)
VW (SVW)



Trac.	CC	Kw	CV
-------	----	----	----



Front / Rear

### AUDI

A1 (8X1, 8XK) 05.10-							Hatchback (Supermini car-B Segment)	
1.0 TFSI (CHZE)		Gasolina	FWD	999	60	82	01.16-10.18	■
1.0 TFSI (CHZB)		Gasolina	FWD	999	70	95	03.15-10.18	■
1.0 TFSI (DKLD)		Gasolina	FWD	999	70	95	03.15-10.18	■
1.2 TFSI (CBZA)		Gasolina	FWD	1197	63	86	05.10-04.15	■
1.4 TFSI (CAXA)		Gasolina	FWD	1390	90	122	05.10-04.15	■
1.4 TFSI (CNVA)		Gasolina	FWD	1390	90	122	05.10-04.15	■
1.4 TFSI (CAVG)		Gasolina	FWD	1390	136	185	01.11-04.15	■
1.4 TFSI (CTHG)		Gasolina	FWD	1390	136	185	01.11-04.15	■
1.4 TFSI (CZCA)		Gasolina	FWD	1395	92	125	11.14-10.18	■
1.4 TFSI (CZDD)		Gasolina	FWD	1395	92	125	11.14-10.18	■
1.4 TFSI (CPTA)		Gasolina	FWD	1395	103	140	04.12-04.15	■
1.4 TSI (CZEA)		Gasolina	FWD	1395	110	150	11.14-10.18	■
1.4 TDI (CUSB)		Diesel	FWD	1422	66	90	11.14-10.18	■
1.6 TDI (CAYB)		Diesel	FWD	1598	66	90	03.11-04.15	■
1.6 TDI (CAYC)		Diesel	FWD	1598	77	105	05.10-04.15	■
1.6 TDI (CXMA)		Diesel	FWD	1598	85	115	11.14-10.18	■
2.0 TDI (CFHB)		Diesel	FWD	1968	100	136	05.12-04.15	■
2.0 TDI (CFHD)		Diesel	FWD	1968	105	143	09.11-04.15	■
A1 CITY CARVER (GBH) 07.19-							Hatchback (Supermini car-B Segment)	
25 TFSI (DKLA)	PR 1ZG	Gasolina	FWD	999	70	95	07.19-06.22	■
30 TFSI (DLAA)	PR 1ZG, discØ 256	Gasolina	FWD	999	81	110	09.20-06.22	■
30 TFSI (DKJA)	Eq.V_ Ate, PR 1ZG, discØ 256	Gasolina	FWD	999	85	116	07.19-06.22	■

# LISTA DE APLICACIONES - BUYERS GUIDE

30 TFSI (DKRF)	Eq.V_ Ate, PR 1ZG, discØ 256	Gasolina	FWD	999	85	116	07.19-06.22	■	
35 TFSI (DPCA)		Gasolina	FWD	1498	110	150	07.19-06.22	■	
<b>A1 II Sportback (GBA) 07.18-</b>							<b>Hatchback (Supermini car-B Segment)</b>		
25 TFSI (DKLA)	PR 1ZG	Gasolina	FWD	999	70	95	11.18-	■	
25 TFSI (DLAC)	PR 1ZG	Gasolina	FWD	999	70	95	11.18-	■	
30 TFSI (DLAA)	PR 1ZG, discØ 256	Gasolina	FWD	999	81	110	09.20-	■	
30 TFSI (DKJA)	Eq.V_ Ate, PR 1ZG, discØ 256	Gasolina	FWD	999	85	116	07.18-	■	
30 TFSI (DKRF)	Eq.V_ Ate, PR 1ZG, discØ 256	Gasolina	FWD	999	85	116	07.18-	■	
35 TFSI (DADA)		Gasolina	FWD	1498	110	150	09.18-	■	
35 TFSI (DPCA)		Gasolina	FWD	1498	110	150	09.18-	■	
<b>A1 II Allstreet (GBH) 07.22-</b>							<b>Hatchback (Supermini car-B Segment)</b>		
25 TFSI		Gasolina	FWD	999	70	95	07.22-	■	
30 TFSI		Gasolina	FWD	999	81	110	07.22-	■	
30 TFSI		Gasolina	FWD	999	85	116	03.24-	■	
35 TFSI		Gasolina	FWD	1498	110	150	07.22-	■	
<b>A1 Sportback (8XA, 8XF) 09.11-</b>							<b>Hatchback (Supermini car-B Segment)</b>		
1.0 TFSI (CHZE)		Gasolina	FWD	999	60	82	01.16-10.18	■	
1.0 TFSI (CHZB)		Gasolina	FWD	999	70	95	03.15-10.18	■	
1.0 TFSI (DKLD)		Gasolina	FWD	999	70	95	03.15-10.18	■	
1.2 TFSI (CBZA)		Gasolina	FWD	1197	63	86	01.12-04.15	■	
1.4 TFSI (CAXA)	01/12-	Gasolina	FWD	1390	90	122	11.11-04.15	■	
1.4 TFSI (CNVA)	01/12-	Gasolina	FWD	1390	90	122	11.11-04.15	■	
1.4 TFSI (CAVG)	01/12-	Gasolina	FWD	1390	136	185	11.11-04.15	■	
1.4 TFSI (CTHG)	01/12-	Gasolina	FWD	1390	136	185	11.11-04.15	■	
1.4 TFSI (CZCA)		Gasolina	FWD	1395	92	125	11.14-10.18	■	
1.4 TFSI (CZDD)		Gasolina	FWD	1395	92	125	11.14-10.18	■	
1.4 TFSI (CPTA)		Gasolina	FWD	1395	103	140	04.12-04.15	■	
1.4 TSI (CZEA)		Gasolina	FWD	1395	110	150	11.14-10.18	■	
1.4 TDI (CUSB)		Diesel	FWD	1422	66	90	11.14-10.18	■	
1.6 TDI (CAYB)	01/12-	Diesel	FWD	1598	66	90	11.11-04.15	■	
1.6 TDI (CAYC)	01/12-	Diesel	FWD	1598	77	105	11.11-04.15	■	
1.6 TDI (CXMA)		Diesel	FWD	1598	85	115	11.14-10.18	■	
2.0 TDI (CFHB)		Diesel	FWD	1968	100	136	05.12-04.15	■	
2.0 TDI (CFHD)		Diesel	FWD	1968	105	143	09.11-04.15	■	
<b>A3 (8L1) 09.96-09.06</b>							<b>Hatchback (Compact executive car-D Segment)</b>		
1.6 (AEH)		Gasolina	FWD	1595	74	101	09.96-05.03	■	
1.6 (AKL)		Gasolina	FWD	1595	74	101	09.96-05.03	■	
1.6 (APF)		Gasolina	FWD	1595	74	101	09.96-05.03	■	
1.8 (AGN)	-12/99	Gasolina	FWD	1781	92	125	09.96-05.03	■	
1.8 (APG)	-12/99	Gasolina	FWD	1781	92	125	09.96-05.03	■	
1.9 TDI (AGR)	-12/99	Diesel	FWD	1896	66	90	09.96-07.01	■	
1.9 TDI (ALH)	-12/99	Diesel	FWD	1896	66	90	09.96-07.01	■	
1.9 TDI (ATD)		Diesel	FWD	1896	74	100	10.00-05.03	■	
1.9 TDI (AXR)		Diesel	FWD	1896	74	100	10.00-05.03	■	
1.9 TDI (AHF)	-12/99	Diesel	FWD	1896	81	110	08.97-07.01	■	
1.9 TDI (ASV)	-12/99	Diesel	FWD	1896	81	110	08.97-07.01	■	
<b>JETTA</b>									
<b>VA3 (0M2) 09.19-</b>							<b>Saloon (Compact car-C Segment)</b>		
1.5 (DLFA)		Gasolina	FWD	1498	82	112	09.19-	■	

# LISTA DE APLICACIONES - BUYERS GUIDE

## ROEWE (SAIC)

<b>i5 10.18-</b>					<b>Saloon (Compact car-C Segment)</b>			
1.5		Gasolina	FWD	1498	888	120	10.18-	■

<b>i6 PLUS 03.19-</b>					<b>Saloon ()</b>			
1.6 (16S4C)		Gasolina	FWD	1598	92	125	03.19-	■

## SEAT

<b>CORDOBA III (6L2) 09.02-11.09</b>					<b>Saloon (Supermini car-B Segment)</b>			
1.2 (AZQ)		Gasolina	FWD	1198	47	64	10.02-06.06	■
1.2 (BME)		Gasolina	FWD	1198	47	64	10.02-06.06	■
1.2 12V (BXV)	-12/08	Gasolina	FWD	1198	51	70	05.06-11.09	■
1.4 16V (BBY)	-12/06	Gasolina	FWD	1390	55	75	09.02-12.07	■
1.4 16V (BKY)	-12/06	Gasolina	FWD	1390	55	75	09.02-12.07	■
1.4 16V (BXW)	-12/08	Gasolina	FWD	1390	63	86	05.06-11.09	■
1.4 16V (BBZ)		Gasolina	FWD	1390	74	100	10.02-11.09	■
1.6 (BAH)		Gasolina	FWD	1598	74	101	04.03-11.09	■
1.6 16V (BTS)		Gasolina	FWD	1598	77	105	11.06-11.09	■
2.0 (AZL)		Gasolina	FWD	1984	85	115	09.02-11.09	■
2.0 (BBX)		Gasolina	FWD	1984	85	115	09.02-11.09	■
1.4 Tdi 14"	01/06-	Diesel	RWD	1395	51	69	09.02-	■
1.4 TDI (BNM)	-12/08	Diesel	FWD	1422	51	70	05.05-11.09	■
1.4 TDI (AMF)		Diesel	FWD	1422	55	75	10.02-12.05	■
1.4 TDI (BMS)	-12/08	Diesel	FWD	1422	59	80	06.05-11.09	■
1.4 TDI (BNV)	-12/08	Diesel	FWD	1422	59	80	06.05-11.09	■
1.9 SDI (ASY)	-12/06	Diesel	FWD	1896	47	64	09.02-11.09	■
1.9 TDI (ATD)	-12/08	Diesel	FWD	1896	74	100	09.02-11.09	■
1.9 TDI (AXR)	-12/08	Diesel	FWD	1896	74	100	09.02-11.09	■
1.9 TDI (BMT)	-12/08	Diesel	FWD	1896	74	100	09.02-11.09	■
1.9 TDI (ASZ)		Diesel	FWD	1896	96	131	10.02-11.09	■
1.9 TDI (BLT)		Diesel	FWD	1896	96	131	10.02-11.09	■

<b>IBIZA III (6L1) 02.02-11.09</b>					<b>Hatchback (Supermini car-B Segment)</b>			
1.2 (BBM)		Gasolina	FWD	1198	44	60	06.07-05.08	■
1.2 (AZQ)		Gasolina	FWD	1198	47	64	02.02-06.06	■
1.2 (BME)		Gasolina	FWD	1198	47	64	02.02-06.06	■
1.2 12V (BXV)	-12/08	Gasolina	FWD	1198	51	70	05.06-11.09	■
1.4 16V (BBY)		Gasolina	FWD	1390	55	75	02.02-12.07	■
1.4 16V (BKY)		Gasolina	FWD	1390	55	75	02.02-12.07	■
1.4 16V (BXW)	-12/08	Gasolina	FWD	1390	63	86	05.06-11.09	■
1.4 16V (AUB)		Gasolina	FWD	1390	74	100	02.02-11.09	■
1.4 16V (BBZ)		Gasolina	FWD	1390	74	100	02.02-11.09	■
1.6 (BAH)	-12/08	Gasolina	FWD	1598	74	101	02.03-11.09	■
1.6 16V (BTS)	-12/08	Gasolina	FWD	1598	77	105	11.06-11.09	■
2.0 (AZL)		Gasolina	FWD	1984	85	116	04.02-11.09	■
2.0 (BBX)		Gasolina	FWD	1984	85	116	04.02-11.09	■
1.4 TDI (BNM)	-12/08	Diesel	FWD	1422	51	70	05.05-11.09	■
1.4 TDI (AMF)		Diesel	FWD	1422	55	75	05.02-12.05	■
1.4 TDI (BMS)	-12/08	Diesel	FWD	1422	59	80	06.05-11.09	■
1.4 TDI (BNV)	-12/08	Diesel	FWD	1422	59	80	06.05-11.09	■
1.9 SDI (ASY)		Diesel	FWD	1896	47	64	02.02-12.05	■
1.9 TDI (ATD)	-12/08	Diesel	FWD	1896	74	100	02.02-11.09	■

# LISTA DE APLICACIONES - BUYERS GUIDE

1.9 TDI (AXR)	-12/08	Diesel	FWD	1896	74	100	02.02-11.09	■	
1.9 TDI (BMT)	-12/08	Diesel	FWD	1896	74	100	02.02-11.09	■	
<b>IBIZA IV (6J1) 04.08-</b>							<b>Hatchback Van (Supermini car-B Segment)</b>		
1.2 (CGPA)		Gasolina	FWD	1198	51	69	04.08-05.15	■	
1.2 TDI (CFWA)		Diesel	FWD	1199	55	75	05.10-05.15	■	
1.6 TDI (CAYB)		Diesel	FWD	1598	66	90	05.09-05.15	■	
<b>IBIZA IV (6J5, 6P1) 03.08-</b>							<b>Hatchback (Supermini car-B Segment)</b>		
1.0 (CHYB)		Gasolina	FWD	999	55	75	05.15-06.17	■	
1.0 TSI (CHZB)		Gasolina	FWD	999	70	95	05.15-06.17	■	
1.2 TSI (CBZA)		Gasolina	FWD	1197	63	86	08.12-05.15	■	
1.2 TSI (CJZC)		Gasolina	FWD	1197	66	90	05.15-06.17	■	
1.2 TSI (CBZB)		Gasolina	FWD	1197	77	105	09.10-03.12	■	
1.2 (CGPB)		Gasolina	FWD	1198	44	60	07.09-05.15	■	
1.2 (BZG)		Gasolina	FWD	1198	51	70	03.08-05.15	■	
1.2 (CGPA)		Gasolina	FWD	1198	51	70	03.08-05.15	■	
1.2 (CJLB)		Gasolina	FWD	1198	51	70	03.08-05.15	■	
1.4 (BXW)		Gasolina	FWD	1390	63	85	03.08-05.15	■	
1.4 (CGGB)		Gasolina	FWD	1390	63	85	03.08-05.15	■	
1.4 TSI (CPTA)	12/13-, PR 1LQ, PR 1LR, PR 1ZG	Gasolina	FWD	1395	103	140	10.13-05.15	■	
1.6 (BTS)		Gasolina	FWD	1598	77	105	05.08-03.12	■	
2.0 (CEKA)		Gasolina	FWD	1984	85	115	10.08-05.15	■	
1.2 LPG (BZG)		Gasol./Gas (LPG)	FWD	1198	51	70	03.08-05.11	■	
1.4 LPG (BXW)		Gasol./Gas (LPG)	FWD	1390	63	85	03.08-05.11	■	
1.6 LPG (CNKA)		Gasol./Gas (LPG)	FWD	1598	60	81	05.11-05.15	■	
1.2 TDI (CFWA)		Diesel	FWD	1199	55	75	06.10-05.15	■	
1.4 TDI (CUSA)		Diesel	FWD	1422	55	75	05.15-06.17	■	
1.4 TDI (BMS)		Diesel	FWD	1422	59	80	07.08-06.10	■	
1.4 TDI (CUSB)		Diesel	FWD	1422	66	90	05.15-06.17	■	
1.6 TDI		Diesel	RWD	1598	55	75	05.10-06.10	■	
1.6 TDI (CAYA)		Diesel	FWD	1598	55	75	05.09-06.10	■	
1.6 TDI (CAYB)		Diesel	FWD	1598	66	90	05.09-05.15	■	
1.6 TDI (CAYC)		Diesel	FWD	1598	77	105	05.09-05.15	■	
1.6 TDI (CLNA)		Diesel	FWD	1598	77	105	05.09-05.15	■	
1.9 TDI (BXJ)		Diesel	FWD	1896	66	90	07.08-06.10	■	
1.9 TDI (BLS)		Diesel	FWD	1896	77	105	03.08-06.10	■	
<b>IBIZA IV SC (6J1, 6P5) 06.08-12.18</b>							<b>Coupe (Supermini car-B Segment)</b>		
1.6 TDI		Diesel	RWD	1598	55	75	05.10-06.10	■	
<b>IBIZA IV SC (6J1, 6P5) 06.08-12.18</b>							<b>Hatchback (Supermini car-B Segment)</b>		
1.0 (CHYB)		Gasolina	FWD	999	55	75	05.15-12.16	■	
1.0 TSI (CHZB)		Gasolina	FWD	999	70	95	05.15-12.16	■	
1.2 TSI (CBZA)	12/13-, PR 1LQ, PR 1LR, PR 1ZG	Gasolina	FWD	1197	63	86	08.12-05.15	■	
1.2 TSI (CJZC)		Gasolina	FWD	1197	66	90	05.15-12.16	■	
1.2 TSI (CBZB)		Gasolina	FWD	1197	77	105	09.10-05.15	■	
1.2 (CGPB)		Gasolina	FWD	1198	44	60	07.09-05.15	■	
1.2 (BZG)		Gasolina	FWD	1198	51	70	07.08-05.15	■	
1.2 (CGPA)		Gasolina	FWD	1198	51	70	07.08-05.15	■	
1.4 (BXW)		Gasolina	FWD	1390	63	85	07.08-05.15	■	

# LISTA DE APLICACIONES - BUYERS GUIDE

1.4 (CGGB)		Gasolina	FWD	1390	63	85	07.08-05.15	■	
1.4 TSI (CPTA)	12/13-, PR 1LQ, PR 1LR, PR 1ZG	Gasolina	FWD	1395	103	140	10.13-05.15	■	
1.6 (BTS)		Gasolina	FWD	1598	77	105	07.08-05.15	■	
1.6 (CWVA)		Gasolina	FWD	1598	81	110	07.15-12.16	■	
2.0 (CEKA)		Gasolina	FWD	1984	85	115	10.08-05.15	■	
1.4 LPG		Gasol./Gas (LPG)	FWD	1390	63	85	07.08-05.11	■	
1.6 LPG (CNKA)		Gasol./Gas (LPG)	FWD	1598	60	81	05.11-05.15	■	
1.2 TDI (CFWA)		Diesel	FWD	1199	55	75	05.10-05.15	■	
1.4 TDI (CUSA)		Diesel	FWD	1422	55	75	05.15-12.16	■	
1.4 TDI (BMS)		Diesel	FWD	1422	59	80	07.08-06.10	■	
1.4 TDI (CUSB)		Diesel	FWD	1422	66	90	05.15-12.16	■	
1.6 TDI (CAYA)		Diesel	FWD	1598	55	75	05.10-06.10	■	
1.6 TDI (CAYB)		Diesel	FWD	1598	66	90	05.09-05.15	■	
1.6 TDI (CAYC)		Diesel	FWD	1598	77	105	05.09-05.15	■	
1.9 TDI (BXJ)		Diesel	FWD	1896	66	90	06.08-06.10	■	
1.9 TDI (BLS)		Diesel	FWD	1896	77	105	07.08-06.10	■	
<b>IBIZA IV ST (6J8, 6P8) 03.10-</b>							<b>Estate (Supermini car-B Segment)</b>		
1.0 (CHYB)		Gasolina	FWD	999	55	75	05.15-07.16	■	
1.0 TSI (CHZB)		Gasolina	FWD	999	70	95	05.15-07.16	■	
1.2 TSI (CBZA)		Gasolina	FWD	1197	63	86	09.12-05.15	■	
1.2 TSI (CJZC)		Gasolina	FWD	1197	66	90	05.15-07.16	■	
1.2 TSI (CBZB)		Gasolina	FWD	1197	77	105	09.10-05.15	■	
1.2 (CGPB)		Gasolina	FWD	1198	44	60	05.10-05.15	■	
1.2 (BZG)		Gasolina	FWD	1198	51	70	05.10-05.15	■	
1.2 (CGPA)		Gasolina	FWD	1198	51	70	05.10-05.15	■	
1.2 (CJLB)		Gasolina	FWD	1198	51	70	05.10-05.15	■	
1.4 (CGGB)		Gasolina	FWD	1390	63	85	03.10-05.15	■	
1.4 TSI (CAVF)	Rim 14, PR 1LQ, PR 1LR, PR 1ZG	Gasolina	FWD	1390	110	150	02.12-05.15	■	
1.4 TSI (CNUB)	Rim 14, PR 1LQ, PR 1LR, PR 1ZG	Gasolina	FWD	1390	110	150	02.12-05.15	■	
1.4 TSI (CTHF)	Rim 14, PR 1LQ, PR 1LR, PR 1ZG	Gasolina	FWD	1390	110	150	02.12-05.15	■	
1.4 TSI (CTJB)	Rim 14, PR 1LQ, PR 1LR, PR 1ZG	Gasolina	FWD	1390	110	150	02.12-05.15	■	
1.4 TSI (CPTA)	12/13-, PR 1LQ, PR 1LR, PR 1ZG	Gasolina	FWD	1395	103	140	10.13-05.15	■	
1.6	Rim 14, PR 1LQ, PR 1LR, PR 1ZG	Gasolina	FWD	1598	77	105	02.12-	■	
1.6 (BTS)	Rim 14, PR 1LQ, PR 1LR, PR 1ZG	Gasolina	FWD	1598	77	105	02.12-05.15	■	
1.2 TDI (CFWA)		Diesel	FWD	1199	55	75	04.10-05.15	■	
1.4 TDI (CUSA)		Diesel	FWD	1422	55	75	05.15-07.16	■	
1.4 TDI (CUSB)		Diesel	FWD	1422	66	90	05.15-07.16	■	
1.6 TDI (CAYB)		Diesel	FWD	1598	66	90	03.10-05.15	■	
1.6 TDI (CAYC)		Diesel	FWD	1598	77	105	03.10-05.15	■	
1.6 TDI (CLNA)		Diesel	FWD	1598	77	105	03.10-05.15	■	
<b>IBIZA V (KJ1, KJG) 01.17-</b>							<b>Hatchback (Supermini car-B Segment)</b>		
1.0 MPi (CHYC)	PR 1ZG, discØ 256	Gasolina	FWD	999	48	65	07.17-	■	
1.0 MPi (DFNB)	PR 1ZG, discØ 256	Gasolina	FWD	999	48	65	07.17-	■	
1.0 MPi (CHYB)	PR 1ZE, PR 1ZQ, discØ 256	Gasolina	FWD	999	55	75	01.17-	■	
1.0 MPi (DFNA)		Gasolina	FWD	999	59	80	07.18-	■	
1.0 MPi (DSGB)		Gasolina	FWD	999	59	80	07.18-	■	

# LISTA DE APLICACIONES - BUYERS GUIDE

1.0 TSI (CHZL)	PR 1ZE, PR 1ZQ, discØ 256	Gasolina	FWD	999	70	95	01.17-	■	
1.0 TSI (DKLA)	PR 1ZE, PR 1ZQ, discØ 256	Gasolina	FWD	999	70	95	01.17-	■	
1.0 TSI (DLAA)	discØ 256	Gasolina	FWD	999	81	110	06.20-	■	
1.0 TSI (CHZJ)	PR 1ZE, PR 1ZQ, discØ 256	Gasolina	FWD	999	85	116	01.17-	■	
1.0 TSI (DKJA)	PR 1ZE, PR 1ZQ, discØ 256	Gasolina	FWD	999	85	116	01.17-	■	
1.0 TSI (DKRF)	PR 1ZE, PR 1ZQ, discØ 256	Gasolina	FWD	999	85	116	01.17-	■	
1.5 TSI (DADA)	PR 1ZG, discØ 256	Gasolina	FWD	1498	110	150	07.17-	■	
1.6 SRE (CWVA)	PR 1ZG, discØ 256	Gasolina	FWD	1598	81	110	05.17-	■	
1.0 TGI (DBYA)	PR 1ZG, discØ 256	Gasol./Gas (CNG)	FWD	999	66	90	11.17-	■	
1.6 TDI (DGTC)	PR 1ZG, discØ 256	Diesel	FWD	1598	59	80	11.17-	■	
1.6 TDI (DGTD)	PR 1ZG, discØ 256	Diesel	FWD	1598	70	95	09.17-	■	
1.6 TDI (DGTA)	PR 1ZG, discØ 256	Diesel	FWD	1598	85	115	12.17-	■	
<b>LEON (1M1) 11.99-06.06</b>							<b>Hatchback (Compact car-C Segment)</b>		
1.4 16V (AHW)	-12/99	Gasolina	FWD	1390	55	75	11.99-06.06	■	
1.4 16V (APE)	-12/99	Gasolina	FWD	1390	55	75	11.99-06.06	■	
1.4 16V (AXP)	-12/99	Gasolina	FWD	1390	55	75	11.99-06.06	■	
1.4 16V (BCA)	-12/99	Gasolina	FWD	1390	55	75	11.99-06.06	■	
1.6 (AEH)	-12/99	Gasolina	FWD	1595	74	100	11.99-06.06	■	
1.6 (AKL)	-12/99	Gasolina	FWD	1595	74	100	11.99-06.06	■	
1.6 (BFQ)		Gasolina	FWD	1595	75	102	10.05-06.06	■	
1.6 16V (AUS)		Gasolina	FWD	1598	77	105	09.00-06.06	■	
1.6 16V (AZD)		Gasolina	FWD	1598	77	105	09.00-06.06	■	
1.6 16V (BCB)		Gasolina	FWD	1598	77	105	09.00-06.06	■	
1.8 20V (AGN)	-12/99	Gasolina	FWD	1781	92	125	11.99-06.06	■	
1.8 20V (APG)	-12/99	Gasolina	FWD	1781	92	125	11.99-06.06	■	
1.9 SDI (AQM)		Diesel	FWD	1896	50	68	11.99-06.06	■	
1.9 TDI (AGR)	-12/99	Diesel	FWD	1896	66	90	11.99-06.06	■	
1.9 TDI (ALH)	-12/99	Diesel	FWD	1896	66	90	11.99-06.06	■	
1.9 TDI (AXR)		Diesel	FWD	1896	74	100	10.05-06.06	■	
1.9 TDI (AHF)	-12/99	Diesel	FWD	1896	81	110	11.99-06.06	■	
1.9 TDI (ASV)	-12/99	Diesel	FWD	1896	81	110	11.99-06.06	■	
<b>LEON II (1P1) 05.05-12.13</b>							<b>Hatchback (Compact car-C Segment)</b>		
1.6 TDI (CAYB)		Diesel	FWD	1598	66	90	11.10-12.12	■	
1.6 TDI (CAYC)		Diesel	FWD	1598	77	105	02.10-12.12	■	
1.9 TDI (BXF)		Diesel	FWD	1896	66	90	06.07-12.10	■	
<b>Mii (KF1, KE1) 10.11-</b>							<b>Hatchback (City car-A Segment)</b>		
1.0 (CHYA)	PR 1LA	Gasolina	FWD	999	44	60	10.11-07.19	■	
1.0 (CHYB)	PR 1LA	Gasolina	FWD	999	55	75	10.11-07.19	■	
1.0 EcoFuel (CPGA)	PR 1LA	Gasol./Gas (CNG)	FWD	999	50	68	10.12-07.19	■	
Electric (EBMA)		Eléctrico	FWD		61	83	01.20-	■	
<b>TOLEDO II (1M2) 10.98-05.06</b>							<b>Saloon (Compact car-C Segment)</b>		
1.4 16V (AHW)		Gasolina	FWD	1390	55	75	01.00-05.02	■	
1.4 16V (APE)		Gasolina	FWD	1390	55	75	01.00-05.02	■	
1.4 16V (AXP)		Gasolina	FWD	1390	55	75	01.00-05.02	■	
1.4 16V (BCA)		Gasolina	FWD	1390	55	75	01.00-05.02	■	
1.6 (AEH)	-12/99	Gasolina	FWD	1595	74	100	10.98-07.04	■	
1.6 (AKL)	-12/99	Gasolina	FWD	1595	74	100	10.98-07.04	■	

# LISTA DE APLICACIONES - BUYERS GUIDE

1.6 16V (AUS)		Gasolina	FWD	1598	77	105	06.00-05.06	■	
1.6 16V (AZD)		Gasolina	FWD	1598	77	105	06.00-05.06	■	
1.6 16V (BCB)		Gasolina	FWD	1598	77	105	06.00-05.06	■	
1.8 20V (AGN)	-12/99	Gasolina	FWD	1781	92	125	10.98-07.04	■	
1.8 20V (APG)	-12/99	Gasolina	FWD	1781	92	125	10.98-07.04	■	
1.9 TDI (AGR)	-12/99	Diesel	FWD	1896	66	90	03.99-07.04	■	
1.9 TDI (ALH)	-12/99	Diesel	FWD	1896	66	90	03.99-07.04	■	
1.9 TDI (AXR)		Diesel	FWD	1896	74	101	08.05-05.06	■	
1.9 TDI (AHF)	-12/99	Diesel	FWD	1896	81	110	10.98-07.04	■	
1.9 TDI (ASV)	-12/99	Diesel	FWD	1896	81	110	10.98-07.04	■	
<b>TOLEDO IV (KG3) 07.12-</b>							<b>Hatchback (Compact car-C Segment)</b>		
1.0 TSI (CHZB)		Gasolina	FWD	999	70	95	05.17-04.19	■	
1.0 TSI (DKLD)		Gasolina	FWD	999	70	95	05.17-04.19	■	
1.0 TSI (CHZC)		Gasolina	FWD	999	81	110	05.17-04.19	■	
1.0 TSI (DKRC)		Gasolina	FWD	999	81	110	05.17-04.19	■	
1.2 TSI (CBZA)	PR 1ZG	Gasolina	FWD	1197	63	86	07.12-06.15	■	
1.2 TSI (CJZC)		Gasolina	FWD	1197	66	90	05.15-05.17	■	
1.2 TSI (CBZB)	PR 1ZG	Gasolina	FWD	1197	77	105	07.12-06.15	■	
1.2 TSI (CJZD)		Gasolina	FWD	1197	81	110	05.15-05.17	■	
1.2 (CGPC)	PR 1ZG	Gasolina	FWD	1198	55	75	07.12-06.15	■	
1.4 TSI (CAXA)	PR 1ZG	Gasolina	FWD	1390	90	122	07.12-06.15	■	
1.4 TSI (CZCA)		Gasolina	FWD	1395	92	125	05.15-04.19	■	
1.6 (CFNA)	PR 1ZG	Gasolina	FWD	1598	77	105	07.13-06.15	■	
1.6 (CWVA)		Gasolina	FWD	1598	81	110	05.15-04.19	■	
1.4 TDI (CUSB)		Diesel	FWD	1422	66	90	05.15-04.19	■	
1.6 TDI (CAYB)	PR 1ZG	Diesel	FWD	1598	66	90	06.13-06.15	■	
1.6 TDI (CAYC)	PR 1ZG	Diesel	FWD	1598	77	105	07.12-06.15	■	
1.6 TDI (CLNA)	PR 1ZG	Diesel	FWD	1598	77	105	07.12-06.15	■	
1.6 TDI (CXMA)		Diesel	FWD	1598	85	115	05.15-04.19	■	
<b>SKODA</b>									
<b>(545) 12.06-12.14</b>							<b>Estate Van ()</b>		
1.0		Gasolina	FWD	999	44	60	10.14-12.22	■	
1.0		Gasolina	FWD	999	55	75	10.14-12.22	■	
1.2 TSI		Gasolina	FWD	1197	66	90	10.14-12.22	■	
1.4 TDI		Diesel	FWD	1422	55	75	05.15-12.22	■	
1.4 TDI		Diesel	FWD	1422	66	90	10.14-12.22	■	
TDI		Diesel	FWD	1598	55	75	10.13-11.14	■	
<b>CITIGO (NF1) 10.11-</b>							<b>Hatchback (City car-A Segment)</b>		
1.0 (CHYA)	PR 1LA, discØ 256	Gasolina	FWD	999	44	60	10.11-08.19	■	
1.0 (CHYB)	PR 1LA, discØ 256	Gasolina	FWD	999	55	75	10.11-08.19	■	
1.0 LPG	PR 1LA, discØ 256	Gasol./el éc./GLP	FWD	999	55	75	10.11-	■	
e iV		Eléctrico	FWD		61	83	10.19-	■	
1.0 CNG (CPGA)	PR 1LA, discØ 256	CNG	FWD	999	50	68	11.12-08.19	■	
<b>E-CITIGO (NE1) 09.19-</b>							<b>Hatchback (City car-A Segment)</b>		
e iV (EBMA)		Eléctrico	FWD		61	83	09.19-09.21	■	
<b>FABIA (6Y5) 01.00-12.07</b>							<b>Estate Van (Compact car-C Segment)</b>		
1.2 (AWY)		Gasolina	FWD	1198	40	54	07.01-12.07	■	
1.2 (BMD)		Gasolina	FWD	1198	40	54	07.01-12.07	■	
1.2 (AZQ)	-12/06	Gasolina	FWD	1198	47	64	01.03-12.07	■	

# LISTA DE APLICACIONES - BUYERS GUIDE

1.2 (BME)	-12/06	Gasolina	FWD	1198	47	64	01.03-12.07	■	
1.4 (BKY)		Gasolina	FWD	1390	55	75	05.04-12.07	■	
1.4 (AZE)		Gasolina	FWD	1397	44	60	04.00-03.03	■	
1.4 (AZF)		Gasolina	FWD	1397	44	60	04.00-03.03	■	
1.4 (AME)		Gasolina	FWD	1397	50	68	07.01-05.03	■	
1.4 (AQW)		Gasolina	FWD	1397	50	68	07.01-05.03	■	
1.4 (ATZ)		Gasolina	FWD	1397	50	68	07.01-05.03	■	
1.4 TDI (BNM)		Diesel	FWD	1422	51	70	10.05-12.07	■	
1.4 TDI (AMF)		Diesel	FWD	1422	55	75	08.04-10.05	■	
1.9 SDI (ASY)	-12/06	Diesel	FWD	1896	47	64	07.01-12.07	■	
1.9 TDI (ATD)		Diesel	FWD	1896	74	101	01.00-12.07	■	
1.9 TDI (AXR)		Diesel	FWD	1896	74	101	01.00-12.07	■	
<b>FABIA (6Y2) 08.99-03.08</b>							<b>Hatchback (Compact car-C Segment)</b>		
1.2 (AWY)		Gasolina	FWD	1198	40	54	07.01-04.07	■	
1.2 (BMD)		Gasolina	FWD	1198	40	54	07.01-04.07	■	
1.2 (AZQ)	-12/06	Gasolina	FWD	1198	47	64	01.03-03.08	■	
1.2 (BME)	-12/06	Gasolina	FWD	1198	47	64	01.03-03.08	■	
1.4 16V (AUA)		Gasolina	FWD	1390	55	75	12.99-03.08	■	
1.4 16V (BBY)		Gasolina	FWD	1390	55	75	12.99-03.08	■	
1.4 16V (BKY)		Gasolina	FWD	1390	55	75	12.99-03.08	■	
1.4 16V (AUB)	-12/00	Gasolina	FWD	1390	74	100	12.99-03.08	■	
1.4 16V (BBZ)	-12/00	Gasolina	FWD	1390	74	100	12.99-03.08	■	
1.4 (AZE)	-12/00	Gasolina	FWD	1397	44	60	08.00-08.02	■	
1.4 (AZF)	-12/00	Gasolina	FWD	1397	44	60	08.00-08.02	■	
1.4 (AME)	01/00-	Gasolina	FWD	1397	50	68	08.99-05.03	■	
1.4 (AQW)	01/00-	Gasolina	FWD	1397	50	68	08.99-05.03	■	
1.4 (ATZ)	01/00-	Gasolina	FWD	1397	50	68	08.99-05.03	■	
1.4 TDI (BNM)		Diesel	FWD	1422	51	70	10.05-03.08	■	
1.4 TDI (AMF)		Diesel	FWD	1422	55	75	04.03-03.08	■	
1.4 TDI (BNV)		Diesel	FWD	1422	59	80	10.05-03.08	■	
1.9 SDI (ASY)	-12/00	Diesel	FWD	1896	47	64	12.99-03.08	■	
1.9 TDI (ATD)	-12/00	Diesel	FWD	1896	74	100	01.00-03.08	■	
1.9 TDI (AXR)	-12/00	Diesel	FWD	1896	74	100	01.00-03.08	■	
<b>FABIA (6Y3) 10.99-12.07</b>							<b>Saloon (Compact car-C Segment)</b>		
1.2 (AWY)		Gasolina	FWD	1198	40	54	07.01-12.07	■	
1.2 (BMD)		Gasolina	FWD	1198	40	54	07.01-12.07	■	
1.2 (AZQ)	-12/06	Gasolina	FWD	1198	47	64	01.03-12.07	■	
1.2 (BME)	-12/06	Gasolina	FWD	1198	47	64	01.03-12.07	■	
1.4 16V (AUA)		Gasolina	FWD	1390	55	75	10.99-12.07	■	
1.4 16V (BBY)		Gasolina	FWD	1390	55	75	10.99-12.07	■	
1.4 16V (BKY)		Gasolina	FWD	1390	55	75	10.99-12.07	■	
1.4 16V (BUD)		Gasolina	FWD	1390	59	80	04.06-12.07	■	
1.4 16V (AUB)	-12/00	Gasolina	FWD	1390	74	100	12.99-12.07	■	
1.4 16V (BBZ)	-12/00	Gasolina	FWD	1390	74	100	12.99-12.07	■	
1.4 (AZE)	-12/00	Gasolina	FWD	1397	44	60	04.00-08.02	■	
1.4 (AZF)	-12/00	Gasolina	FWD	1397	44	60	04.00-08.02	■	
1.4 (AME)		Gasolina	FWD	1397	50	68	07.01-05.03	■	
1.4 (AQW)		Gasolina	FWD	1397	50	68	07.01-05.03	■	
1.4 (ATZ)		Gasolina	FWD	1397	50	68	07.01-05.03	■	
1.4 TDI (BNM)		Diesel	FWD	1422	51	70	10.05-12.07	■	

# LISTA DE APLICACIONES - BUYERS GUIDE

1.4 TDI (AMF)		Diesel	FWD	1422	55	75	04.03-12.07	■	
1.4 TDI (BNV)		Diesel	FWD	1422	59	80	10.05-12.07	■	
1.9 SDI (ASY)	-12/00	Diesel	FWD	1896	47	64	11.99-12.07	■	
1.9 TDI (ATD)	-12/00	Diesel	FWD	1896	74	100	01.00-12.07	■	
1.9 TDI (AXR)	-12/00	Diesel	FWD	1896	74	100	01.00-12.07	■	
<b>FABIA II (542) 12.06-12.14</b>							<b>Hatchback (Compact car-C Segment)</b>		
1.2 TSI (CBZA)		Gasolina	FWD	1197	63	86	03.10-12.14	■	
1.2 TSI (CBZB)		Gasolina	FWD	1197	77	105	03.10-12.14	■	
1.2 (BBM)		Gasolina	FWD	1198	44	60	12.06-12.14	■	
1.2 (CHFA)		Gasolina	FWD	1198	44	60	12.06-12.14	■	
1.2 12V (CGPB)		Gasolina	FWD	1198	44	60	11.11-12.14	■	
1.2 (BZG)		Gasolina	FWD	1198	51	70	01.07-12.14	■	
1.2 (CEVA)		Gasolina	FWD	1198	51	70	01.07-12.14	■	
1.2 (CGPA)		Gasolina	FWD	1198	51	70	01.07-12.14	■	
1.2 (CHTA)		Gasolina	FWD	1198	51	70	01.07-12.14	■	
1.2 12V		Gasolina	FWD	1198	55	75	10.10-12.14	■	
1.4 (BXW)		Gasolina	FWD	1390	63	86	01.07-12.14	■	
1.4 (CGGB)		Gasolina	FWD	1390	63	86	01.07-12.14	■	
1.4 TSI RS (CAVE)	Eq.V_ 1LQ, 1LR	Gasolina	FWD	1390	132	180	05.10-12.14	■	
1.4 TSI RS (CTHE)	Eq.V_ 1LQ, 1LR	Gasolina	FWD	1390	132	180	05.10-12.14	■	
1.6 (BTS)		Gasolina	FWD	1598	77	105	04.07-12.14	■	
1.6 (CFNA)		Gasolina	FWD	1598	77	105	04.07-12.14	■	
1.6 (CLSA)		Gasolina	FWD	1598	77	105	04.07-12.14	■	
1.2 LPG (CHFA)		Gasol./Gas (LPG)	FWD	1198	44	60	03.09-11.11	■	
1.2 LPG (CGPA)		Gasol./Gas (LPG)	FWD	1198	51	69	07.07-11.14	■	
1.4 LPG (BXW)		Gasol./Gas (LPG)	FWD	1390	63	86	01.07-11.14	■	
1.4 LPG (CGGB)		Gasol./Gas (LPG)	FWD	1390	63	86	01.07-11.14	■	
1.2 TDI (CFWA)		Diesel	FWD	1199	55	75	05.10-12.14	■	
1.4 TDI (BNM)		Diesel	FWD	1422	51	70	02.07-03.10	■	
1.4 TDI (BMS)		Diesel	FWD	1422	59	80	01.07-03.10	■	
1.4 TDI (BNV)		Diesel	FWD	1422	59	80	01.07-03.10	■	
1.6 TDI (CAYA)		Diesel	FWD	1598	55	75	04.10-12.14	■	
1.6 TDI (CAYB)		Diesel	FWD	1598	66	90	03.10-12.14	■	
1.6 TDI (CAYC)		Diesel	FWD	1598	77	105	03.10-12.14	■	
1.9 TDI (BLS)		Diesel	FWD	1896	77	105	04.07-03.10	■	
1.9 TDI (BSW)		Diesel	FWD	1896	77	105	04.07-03.10	■	
<b>FABIA II Combi (545) 10.07-12.14</b>							<b>Estate (Compact car-C Segment)</b>		
1.2 TSI (CBZA)		Gasolina	FWD	1197	63	86	03.10-12.14	■	
1.2 TSI (CBZB)		Gasolina	FWD	1197	77	105	03.10-12.14	■	
1.2 (BBM)		Gasolina	FWD	1198	44	60	10.07-11.14	■	
1.2 (CHFA)		Gasolina	FWD	1198	44	60	10.07-11.14	■	
1.2 12V (CGPB)		Gasolina	FWD	1198	44	60	11.11-12.14	■	
1.2 (BZG)		Gasolina	FWD	1198	51	70	10.07-12.14	■	
1.2 (CEVA)		Gasolina	FWD	1198	51	70	10.07-12.14	■	
1.2 (CGPA)		Gasolina	FWD	1198	51	70	10.07-12.14	■	
1.2 (CHTA)		Gasolina	FWD	1198	51	70	10.07-12.14	■	
1.4 (BXW)		Gasolina	FWD	1390	63	86	10.07-12.14	■	
1.4 (CGGB)		Gasolina	FWD	1390	63	86	10.07-12.14	■	
1.4 TSI RS (CAVE)	Eq.V_ 1LQ, 1LR	Gasolina	FWD	1390	132	180	05.10-12.14	■	

# LISTA DE APLICACIONES - BUYERS GUIDE

1.4 TSI RS (CTHE)	Eq.V_ 1LQ, 1LR	Gasolina	FWD	1390	132	180	05.10-12.14	■	
1.6 (BTS)		Gasolina	FWD	1598	77	105	10.07-12.14	■	
1.6 (CFNA)		Gasolina	FWD	1598	77	105	10.07-12.14	■	
1.2 LPG (CHFA)		Gasol./Gas (LPG)	FWD	1198	44	60	03.09-11.11	■	
1.2 LPG (CGPA)		Gasol./Gas (LPG)	FWD	1198	51	69	10.07-11.14	■	
1.4 LPG (BXW)		Gasol./Gas (LPG)	FWD	1390	63	86	10.07-11.14	■	
1.4 LPG (CGGB)		Gasol./Gas (LPG)	FWD	1390	63	86	10.07-11.14	■	
1.2 TDI (CFWA)		Diesel	FWD	1199	55	75	05.10-12.14	■	
1.4 TDI (BNM)		Diesel	FWD	1422	51	70	10.07-03.10	■	
1.4 TDI (BMS)		Diesel	FWD	1422	59	80	10.07-03.10	■	
1.4 TDI (BNV)		Diesel	FWD	1422	59	80	10.07-03.10	■	
1.6 TDI (CAYA)		Diesel	FWD	1598	55	75	04.10-12.14	■	
1.6 TDI (CAYB)		Diesel	FWD	1598	66	90	03.10-12.14	■	
1.6 TDI (CAYC)		Diesel	FWD	1598	77	105	03.10-12.14	■	
1.9 TDI (BLS)		Diesel	FWD	1896	77	105	10.07-03.10	■	
1.9 TDI (BSW)		Diesel	FWD	1896	77	105	10.07-03.10	■	
<b>FABIA III (NJ5) 08.14-</b>							<b>Estate (Compact car-C Segment)</b>		
1.0 (CHYA)	discØ 256, PR 1LR, PR 1ZG	Gasolina	FWD	999	44	60	10.14-12.22	■	
1.0 (CHYE)	discØ 256, PR 1LR, PR 1ZG	Gasolina	FWD	999	44	60	10.14-12.22	■	
1.0 (CHYB)	discØ 256, PR 1LR, PR 1ZG	Gasolina	FWD	999	55	75	10.14-12.22	■	
1.0 TSI (CHZB)		Gasolina	FWD	999	70	95	08.14-12.22	■	
1.0 TSI (DKLD)		Gasolina	FWD	999	70	95	08.14-12.22	■	
1.0 TSI (CHZC)		Gasolina	FWD	999	81	110	08.14-12.22	■	
1.0 TSI (DKRC)		Gasolina	FWD	999	81	110	08.14-12.22	■	
1.2 TSI (CJZC)	discØ 256, PR 1LR, PR 1ZG	Gasolina	FWD	1197	66	90	10.14-12.22	■	
1.2 TSI (CJZD)	discØ 256, PR 1LR, PR 1ZG	Gasolina	FWD	1197	81	110	10.14-12.22	■	
1.6 (CWVA)		Gasolina	FWD	1598	81	110	01.15-12.22	■	
1.4 TDI (CUSA)		Diesel	FWD	1422	55	75	05.15-12.22	■	
1.4 TDI (CUSB)	discØ 256, PR 1LR, PR 1ZG	Diesel	FWD	1422	66	90	10.14-12.22	■	
1.4 TDI (CUTA)	discØ 256, PR 1LR, PR 1ZG	Diesel	FWD	1422	77	105	10.14-12.22	■	
<b>FABIA III (NJ3) 08.14-</b>							<b>Hatchback (Compact car-C Segment)</b>		
1.0 (CHYA)	discØ 256, PR 1LR, PR 1ZG	Gasolina	FWD	999	44	60	08.14-06.21	■	
1.0 (CHYE)	discØ 256, PR 1LR, PR 1ZG	Gasolina	FWD	999	44	60	08.14-06.21	■	
1.0 (CHYB)	discØ 256, PR 1LR, PR 1ZG	Gasolina	FWD	999	55	75	08.14-06.21	■	
1.0 TSI (CHZB)		Gasolina	FWD	999	70	95	08.14-06.21	■	
1.0 TSI (DKLD)		Gasolina	FWD	999	70	95	08.14-06.21	■	
1.0 TSI (CHZC)		Gasolina	FWD	999	81	110	08.14-06.21	■	
1.0 TSI (DKRC)		Gasolina	FWD	999	81	110	08.14-06.21	■	
1.2 TSI (CJZC)	discØ 256, PR 1LR, PR 1ZG	Gasolina	FWD	1197	66	90	08.14-06.21	■	
1.2 TSI (CJZD)	discØ 256, PR 1LR, PR 1ZG	Gasolina	FWD	1197	81	110	08.14-06.21	■	
1.6 (CWVA)		Gasolina	FWD	1598	81	110	01.15-06.21	■	
1.4 TDI (CUSA)		Diesel	FWD	1422	55	75	05.15-06.21	■	
1.4 TDI (CUSB)	discØ 256, PR 1LR, PR 1ZG	Diesel	FWD	1422	66	90	08.14-06.21	■	
1.4 TDI (CUTA)	discØ 256, PR 1LR, PR 1ZG	Diesel	FWD	1422	77	105	08.14-06.21	■	
<b>FABIA IV (PJ3) 06.21-</b>							<b>Hatchback (Compact car-C Segment)</b>		
1.0 MPi	PR 1ZG, discØ 256	Gasolina	FWD	999	48	65	08.21-	■	
1.0 MPi	PR 1ZG, discØ 256	Gasolina	FWD	999	59	80	06.21-	■	
1.0 TSI	PR 1ZG, discØ 256	Gasolina	FWD	999	70	95	06.21-	■	

# LISTA DE APLICACIONES - BUYERS GUIDE

1.0 TSI	PR 1ZG, discØ 256	Gasolina	FWD	999	81	110	06.21-	■	
1.0 TSI		Gasolina	FWD	999	85	116	01.24-	■	
1.5 TSI		Gasolina	FWD	1498	110	150	11.21-	■	
1.6		Gasolina	FWD	1598	81	110	06.21-	■	
<b>FABIA Combi (6Y5) 04.00-12.07</b>					<b>Estate (Compact car-C Segment)</b>				
1.2 (AWY)		Gasolina	FWD	1198	40	54	07.01-12.07	■	
1.2 (BMD)		Gasolina	FWD	1198	40	54	07.01-12.07	■	
1.2 (AZQ)	-12/06	Gasolina	FWD	1198	47	64	01.03-12.07	■	
1.2 (BME)	-12/06	Gasolina	FWD	1198	47	64	01.03-12.07	■	
1.4 16V (AUA)		Gasolina	FWD	1390	55	75	05.00-12.07	■	
1.4 16V (BBY)		Gasolina	FWD	1390	55	75	05.00-12.07	■	
1.4 16V (BKY)		Gasolina	FWD	1390	55	75	05.00-12.07	■	
1.4 16V (BUD)		Gasolina	FWD	1390	59	80	04.06-12.07	■	
1.4 16V (AUB)	-12/00	Gasolina	FWD	1390	74	100	04.00-12.07	■	
1.4 16V (BBZ)	-12/00	Gasolina	FWD	1390	74	100	04.00-12.07	■	
1.4 (AZE)	-12/00	Gasolina	FWD	1397	44	60	04.00-03.03	■	
1.4 (AZF)	-12/00	Gasolina	FWD	1397	44	60	04.00-03.03	■	
1.4 (AME)	-12/00	Gasolina	FWD	1397	50	68	04.00-05.03	■	
1.4 (AQW)	-12/00	Gasolina	FWD	1397	50	68	04.00-05.03	■	
1.4 (ATZ)	-12/00	Gasolina	FWD	1397	50	68	04.00-05.03	■	
1.4 TDI (BNM)		Diesel	FWD	1422	51	70	10.05-12.07	■	
1.4 TDI (AMF)		Diesel	FWD	1422	55	75	04.03-12.07	■	
1.4 TDI (BNV)	PR 1LQ, PR 1LR, PR 9U0	Diesel	FWD	1422	59	80	10.05-12.07	■	
1.9 SDI (ASY)	-12/00	Diesel	FWD	1896	47	64	04.00-12.07	■	
1.9 TDI (ATD)	-12/00	Diesel	FWD	1896	74	100	04.00-12.07	■	
1.9 TDI (AXR)	-12/00	Diesel	FWD	1896	74	100	04.00-12.07	■	
<b>KAMIQ (NW4) 07.19-</b>					<b>SUV (Compact Crossover CUV-C Segment)</b>				
1.0 TSI (DKLA)	PR 1ZG, discØ 256	Gasolina	FWD	999	70	95	07.19-	■	
1.0 TSI (DLAA)	PR 1ZG, discØ 256	Gasolina	FWD	999	81	110	08.20-	■	
1.0 TSI (DKRF)	PR 1ZG, discØ 256	Gasolina	FWD	999	85	116	07.19-	■	
1.5 TSI (DPCA)		Gasolina	FWD	1498	110	150	07.19-	■	
1.6 SRE (CWVA)	PR 1ZG, discØ 256	Gasolina	FWD	1598	81	110	07.19-	■	
1.0 TGI CNG (DBYA)		Gasol./Gas (CNG)	FWD	999	66	90	11.19-	■	
1.6 TDI (DGTD)	PR 1ZG, discØ 256	Diesel	FWD	1598	70	95	09.19-	■	
1.6 TDI		Diesel	FWD	1598	70	95	09.19-	■	
1.6 TDI (DGTA)	PR 1ZG, discØ 256	Diesel	FWD	1598	85	115	07.19-	■	
<b>OCTAVIA (1U5) 08.00-03.10</b>					<b>Estate Van (Compact car-C Segment)</b>				
1.9 D (AQM)		Diesel	FWD	1896	50	68	08.00-12.03	■	
1.9 TDI (ALH)	-12/00	Diesel	FWD	1896	66	90	08.00-03.10	■	
<b>OCTAVIA (1U2) 09.96-12.10</b>					<b>Hatchback (Compact car-C Segment)</b>				
1.4 16V (AXP)		Gasolina	FWD	1390	55	75	09.00-12.10	■	
1.4 16V (BCA)		Gasolina	FWD	1390	55	75	09.00-12.10	■	
1.4 (AMD)		Gasolina	FWD	1397	44	60	04.99-03.01	■	
1.6 (AVU)		Gasolina	FWD	1595	75	102	11.00-12.10	■	
1.6 (BFQ)		Gasolina	FWD	1595	75	102	11.00-12.10	■	
1.8 (AGN)		Gasolina	FWD	1781	92	125	09.96-07.00	■	
2.0 (AEG)	-12/00	Gasolina	FWD	1984	85	116	04.99-05.07	■	
2.0 (APK)	-12/00	Gasolina	FWD	1984	85	116	04.99-05.07	■	

# LISTA DE APLICACIONES - BUYERS GUIDE

2.0 (AQY)	-12/00	Gasolina	FWD	1984	85	116	04.99-05.07	■	
2.0 (AZH)	-12/00	Gasolina	FWD	1984	85	116	04.99-05.07	■	
2.0 (AZJ)	-12/00	Gasolina	FWD	1984	85	116	04.99-05.07	■	
1.9 SDI (AGP)	-12/99	Diesel	FWD	1896	50	68	06.97-12.03	■	
1.9 SDI (AQM)	-12/99	Diesel	FWD	1896	50	68	06.97-12.03	■	
1.9 TDI (AGR)	-12/00	Diesel	FWD	1896	66	90	09.96-03.10	■	
1.9 TDI (ALH)	-12/00	Diesel	FWD	1896	66	90	09.96-03.10	■	
1.9 TDI (AXR)		Diesel	FWD	1896	74	100	10.05-12.10	■	
1.9 TDI (AHF)	-12/00	Diesel	FWD	1896	81	110	08.97-01.06	■	
1.9 TDI (ASV)	-12/00	Diesel	FWD	1896	81	110	08.97-01.06	■	
1.9 TDI (ASZ)		Diesel	FWD	1896	96	130	09.02-09.04	■	
<b>OCTAVIA IV Combi (NX5, PV5) 11.19-</b>					<b>Estate (Compact car-C Segment)</b>				
2.0 TSI 4x4		Gasolina	4WD	1984	140	190	09.20-	■	
<b>OCTAVIA Combi (1U5) 07.98-12.10</b>					<b>Estate (Compact car-C Segment)</b>				
1.4 16V (AXP)		Gasolina	FWD	1390	55	75	08.00-12.10	■	
1.4 16V (BCA)		Gasolina	FWD	1390	55	75	08.00-12.10	■	
1.6 (AVU)		Gasolina	FWD	1595	75	102	09.00-12.10	■	
1.6 (BFQ)		Gasolina	FWD	1595	75	102	09.00-12.10	■	
1.8 20V (AGN)		Gasolina	FWD	1781	92	125	07.98-07.00	■	
2.0 (AEG)	-12/00	Gasolina	FWD	1984	85	116	04.99-05.07	■	
2.0 (APK)	-12/00	Gasolina	FWD	1984	85	116	04.99-05.07	■	
2.0 (AQY)	-12/00	Gasolina	FWD	1984	85	116	04.99-05.07	■	
2.0 (AZH)	-12/00	Gasolina	FWD	1984	85	116	04.99-05.07	■	
2.0 (AZJ)	-12/00	Gasolina	FWD	1984	85	116	04.99-05.07	■	
1.9 SDI (AGP)	-12/99	Diesel	FWD	1896	50	68	07.98-12.03	■	
1.9 SDI (AQM)	-12/99	Diesel	FWD	1896	50	68	07.98-12.03	■	
1.9 TDI (AGR)	-12/00	Diesel	FWD	1896	66	90	07.98-03.10	■	
1.9 TDI (ALH)	-12/00	Diesel	FWD	1896	66	90	07.98-03.10	■	
1.9 TDI 4x4 (AGR)		Diesel	4WD	1896	66	90	11.99-02.06	■	
1.9 TDI (AXR)	-12/04	Diesel	FWD	1896	74	100	08.00-12.10	■	
1.9 TDI 4x4 (ATD)	-12/04	Diesel	4WD	1896	74	100	09.00-01.06	■	
1.9 TDI (AHF)	-12/00	Diesel	FWD	1896	81	110	07.98-01.06	■	
1.9 TDI (ASV)	-12/00	Diesel	FWD	1896	81	110	07.98-01.06	■	
<b>OCTAVIA III (5E3, NL3, NR3) 11.12-</b>					<b>Hatchback (Compact car-C Segment)</b>				
1.8 TSI (CJSA)		Gasolina	FWD	1798	132	180	11.12-10.20	■	
1.8 TSI 4x4 (CJSB)		Gasolina	4WD	1798	132	180	05.14-10.20	■	
2.0 TSI (DKZA)		Gasolina	FWD	1984	140	190	02.17-10.20	■	
2.0 TSI 4x4 (DKZA)		Gasolina	4WD	1984	140	190	02.19-10.20	■	
2.0 TDI / TDI RS 4x4 (CUNA)		Diesel	4WD	1968	135	184	05.13-10.20	■	
2.0 TDI / TDI RS 4x4 (CUPA)		Diesel	4WD	1968	135	184	05.13-10.20	■	
2.0 TDI / TDI RS 4x4 (DJGA)		Diesel	4WD	1968	135	184	05.13-10.20	■	
2.0 TDI RS (CUNA)		Diesel	FWD	1968	135	184	05.13-10.20	■	
2.0 TDI RS (CUPA)		Diesel	FWD	1968	135	184	05.13-10.20	■	
2.0 TDI RS (DJGA)		Diesel	FWD	1968	135	184	05.13-10.20	■	
<b>OCTAVIA III Combi (5E5, 5E6) 11.12-</b>					<b>Estate (Compact car-C Segment)</b>				
1.8 TSI (CJSA)		Gasolina	FWD	1798	132	180	11.12-10.20	■	
1.8 TSI (CJSB)		Gasolina	FWD	1798	132	180	11.12-10.20	■	
1.8 TSI 4x4 (CJSB)		Gasolina	4WD	1798	132	180	11.12-02.17	■	
2.0 TSI (DKZA)		Gasolina	FWD	1984	140	190	02.17-10.20	■	
2.0 TSI 4x4 (DKZA)		Gasolina	4WD	1984	140	190	02.19-10.20	■	

# LISTA DE APLICACIONES - BUYERS GUIDE

2.0 TDI / TDI RS 4x4 (CUNA)		Diesel	4WD	1968	135	184	05.13-10.20	■	
2.0 TDI / TDI RS 4x4 (CUPA)		Diesel	4WD	1968	135	184	05.13-10.20	■	
2.0 TDI / TDI RS 4x4 (DJGA)		Diesel	4WD	1968	135	184	05.13-10.20	■	
2.0 TDI RS (CUNA)		Diesel	FWD	1968	135	184	05.13-10.20	■	
2.0 TDI RS (CUPA)		Diesel	FWD	1968	135	184	05.13-10.20	■	
2.0 TDI RS (DJGA)		Diesel	FWD	1968	135	184	05.13-10.20	■	
<b>RAPID III (NH3, NK3, NK6) 07.12-</b>							<b>Hatchback (Supermini car-B Segment)</b>		
1.0 TSI (CHZB)		Gasolina	FWD	999	70	95	06.17-12.19	■	
1.0 TSI (DKLD)		Gasolina	FWD	999	70	95	06.17-12.19	■	
1.0 TSI (CHZC)	PR 1ZG	Gasolina	FWD	999	81	110	06.17-12.19	■	
1.0 TSI (DKRC)	PR 1ZG	Gasolina	FWD	999	81	110	06.17-12.19	■	
1.2 TSI (CBZA)	Eq.V_ 1ZG, 10/12-	Gasolina	FWD	1197	63	86	07.12-05.15	■	
1.2 TSI (CJZC)	discØ 256, PR 1ZG	Gasolina	FWD	1197	66	90	05.15-12.19	■	
1.2 TSI (CBZB)	Eq.V_ 1ZG, 10/12-	Gasolina	FWD	1197	77	105	07.12-05.15	■	
1.2 TSI (CJZD)		Gasolina	FWD	1197	81	110	05.15-12.19	■	
1.2 (CGPC)	Eq.V_ 1ZG, 10/12-	Gasolina	FWD	1198	55	75	07.12-06.15	■	
1.4 TSI (CAXA)	Eq.V_ 1ZG, 10/12-, PR 1ZG	Gasolina	FWD	1390	90	122	07.12-06.15	■	
1.4 TSI (CZCA)		Gasolina	FWD	1395	92	125	05.15-03.22	■	
1.6 SRE (CWVB)	discØ 256, PR 1ZG	Gasolina	FWD	1598	66	90	06.15-03.22	■	
1.6 (CFNA)	Eq.V_ 1ZG, 10/12-	Gasolina	FWD	1598	77	105	07.12-06.15	■	
1.6 (CWVA)		Gasolina	FWD	1598	81	110	05.15-03.22	■	
1.2 LPG (CBZA)		Gasol./Gas (LPG)	FWD	1197	63	86	07.12-05.15	■	
1.2 LPG (CGPC)		Gasol./Gas (LPG)	FWD	1198	55	75	07.12-06.15	■	
1.4 TDI (CUSB)	discØ 256, PR 1ZG	Diesel	FWD	1422	66	90	05.15-12.19	■	
1.6 TDI (CAYB)	PR 1ZG, discØ 256	Diesel	FWD	1598	66	90	08.13-05.15	■	
1.6 TDI (CAYC)	PR 1ZG, discØ 256	Diesel	FWD	1598	77	105	07.12-12.19	■	
1.6 TDI (CLNA)	PR 1ZG, discØ 256	Diesel	FWD	1598	77	105	07.12-12.19	■	
1.6 TDI (CXMA)		Diesel	FWD	1598	85	115	05.15-12.19	■	
<b>RAPID III Spaceback (NH1) 07.12-</b>							<b>Hatchback (Supermini car-B Segment)</b>		
1.0 TSI (CHZB)		Gasolina	FWD	999	70	95	06.17-12.19	■	
1.0 TSI (DKLD)		Gasolina	FWD	999	70	95	06.17-12.19	■	
1.0 TSI (CHZC)	PR 1ZG	Gasolina	FWD	999	81	110	06.17-12.19	■	
1.0 TSI (DKRC)	PR 1ZG	Gasolina	FWD	999	81	110	06.17-12.19	■	
1.2 TSI (CBZA)	PR 1ZG, discØ 256	Gasolina	FWD	1197	63	86	07.12-05.15	■	
1.2 TSI (CJZC)		Gasolina	FWD	1197	66	90	05.15-12.19	■	
1.2 TSI (CBZB)	PR 1ZG, discØ 256	Gasolina	FWD	1197	77	105	07.12-05.15	■	
1.2 TSI (CJZD)		Gasolina	FWD	1197	81	110	05.15-12.19	■	
1.2 (CGPC)		Gasolina	FWD	1198	55	75	07.12-06.15	■	
1.4 TSI (CAXA)	PR 1ZG, discØ 256	Gasolina	FWD	1390	90	122	07.12-06.15	■	
1.4 TSI (CZCA)		Gasolina	FWD	1395	92	125	05.15-12.19	■	
1.6 (CFNA)	PR 1ZG, discØ 256	Gasolina	FWD	1598	77	105	07.12-06.15	■	
1.6 SRE (CWVA)	PR 1ZG	Gasolina	FWD	1598	81	110	05.15-12.19	■	
1.2 LPG (CBZA)		Gasol./Gas (LPG)	FWD	1197	63	86	07.12-05.15	■	
1.2 LPG (CGPC)		Gasol./Gas (LPG)	FWD	1198	55	75	07.12-06.15	■	
1.4 TDI (CUSB)	discØ 256, PR 1ZG	Diesel	FWD	1422	66	90	05.15-12.19	■	
1.6 TDI (CAYB)	PR 1ZG, discØ 256	Diesel	FWD	1598	66	90	08.13-05.15	■	
1.6 TDI (CAYC)	PR 1ZG, discØ 256	Diesel	FWD	1598	77	105	07.12-12.19	■	
1.6 TDI (CLNA)	PR 1ZG, discØ 256	Diesel	FWD	1598	77	105	07.12-12.19	■	

# LISTA DE APLICACIONES - BUYERS GUIDE

1.6 TDI (CXMA)		Diesel	FWD	1598	85	115	05.15-12.19	■	
<b>ROOMSTER / PRAKTIK (5J) 03.07-05.15</b>					<b>Estate Van (Large MPV-M1 Segment)</b>				
1.2 TSI (CBZA)	PR 1LQ, PR 1LR, PR 1ZG	Gasolina	FWD	1197	63	86	03.10-05.15	■	
1.2 (BZG)		Gasolina	FWD	1198	51	70	03.07-05.15	■	
1.2 (CGPA)		Gasolina	FWD	1198	51	70	03.07-05.15	■	
1.4 (BXW)		Gasolina	FWD	1390	63	86	03.07-05.15	■	
1.4 (CGGB)		Gasolina	FWD	1390	63	86	03.07-05.15	■	
1.2 TDI (CFWA)	PR 1LQ, PR 1LR, PR 1ZG	Diesel	FWD	1199	55	75	03.10-05.15	■	
1.4 TDI (BNM)		Diesel	FWD	1422	51	70	03.07-03.10	■	
1.4 TDI (BMS)		Diesel	FWD	1422	59	80	03.07-03.10	■	
1.4 TDI (BNV)		Diesel	FWD	1422	59	80	03.07-03.10	■	
1.6 TDI (CAYB)	PR 1LQ, PR 1LR, PR 1ZG	Diesel	FWD	1598	66	90	03.10-05.15	■	
<b>ROOMSTER / PRAKTIK (5J7) 03.06-05.15</b>					<b>MPV (Large MPV-M1 Segment)</b>				
1.2 TSI (CBZA)		Gasolina	FWD	1197	63	86	03.10-05.15	■	
1.2 TSI (CBZB)		Gasolina	FWD	1197	77	105	03.10-05.15	■	
1.2 (BME)		Gasolina	FWD	1198	47	64	05.06-01.07	■	
1.2 (BZG)		Gasolina	FWD	1198	51	70	01.07-05.15	■	
1.2 (CGPA)		Gasolina	FWD	1198	51	70	01.07-05.15	■	
1.4 (BXW)		Gasolina	FWD	1390	63	86	09.06-05.15	■	
1.4 (CGGB)		Gasolina	FWD	1390	63	86	09.06-05.15	■	
1.6 (BTS)		Gasolina	FWD	1598	77	105	09.06-05.15	■	
1.6 (CFNA)		Gasolina	FWD	1598	77	105	09.06-05.15	■	
1.2 LPG (CGPA)		Gasol./Gas (LPG)	FWD	1198	51	69	03.09-05.15	■	
1.4 LPG (BXW)		Gasol./Gas (LPG)	FWD	1390	63	86	03.10-05.15	■	
1.4 LPG (CGGB)		Gasol./Gas (LPG)	FWD	1390	63	86	03.10-05.15	■	
1.6 LPG (BTS)		Gasol./Gas (LPG)	FWD	1598	77	105	06.06-07.10	■	
1.2 TDI (CFWA)		Diesel	FWD	1199	55	75	03.10-05.15	■	
1.4 TDI (BNM)		Diesel	FWD	1422	51	70	07.06-03.10	■	
1.4 TDI (BMS)		Diesel	FWD	1422	59	80	09.06-03.10	■	
1.4 TDI (BNV)		Diesel	FWD	1422	59	80	09.06-03.10	■	
1.6 TDI (CAYB)		Diesel	FWD	1598	66	90	03.10-05.15	■	
1.6 TDI (CAYC)		Diesel	FWD	1598	77	105	03.10-05.15	■	
1.9 TDI (AXR)	PR 1LQ, PR 1LR, PR 9U0, PR 1ZG, discØ 256	Diesel	FWD	1896	74	101	03.06-05.06	■	
1.9 TDI (BLS)		Diesel	FWD	1896	77	105	09.06-03.10	■	
1.9 TDI (BSW)		Diesel	FWD	1896	77	105	09.06-03.10	■	
<b>SCALA (NW1) 02.19-</b>					<b>Hatchback (Compact car-C Segment)</b>				
1.0 TSI (DKLA)	PR 1ZG, discØ 256	Gasolina	FWD	999	70	95	02.19-	■	
1.0 TSI (DLAA)	PR 1ZG, discØ 256	Gasolina	FWD	999	81	110	08.20-	■	
1.0 TSI (DKRF)	PR 1ZG, discØ 256	Gasolina	FWD	999	85	116	02.19-	■	
1.5 TSI (DADA)	PR 1ZG, discØ 256	Gasolina	FWD	1498	110	150	02.19-	■	
1.5 TSI (DPCA)	PR 1ZG, discØ 256	Gasolina	FWD	1498	110	150	02.19-	■	
1.6 SRE	PR 1ZG, discØ 256	Gasolina	FWD	1598	81	110	02.19-	■	
1.0 TGI CNG (DBYA)	PR 1ZG, discØ 256	Gasol./Gas (CNG)	FWD	999	66	90	11.19-	■	
1.6 TDI	PR 1ZG, discØ 256	Diesel	FWD	1598	70	95	09.19-	■	
1.6 TDI (DGTA)	PR 1ZG, discØ 256	Diesel	FWD	1598	85	116	02.19-	■	

# LISTA DE APLICACIONES - BUYERS GUIDE

<b>YETI (5L) 05.09-</b>					<b>SUV (Mini SUV-J Segment)</b>			
1.2 TSI (CBZB)		Gasolina	FWD	1197	77	105	09.09-05.15	■
1.2 TSI (CYVB)		Gasolina	FWD	1197	81	110	05.15-12.17	■
1.4 TSI (CAXA)		Gasolina	FWD	1390	90	122	06.10-05.15	■
1.4 TSI (CZCA)		Gasolina	FWD	1395	92	125	05.15-12.17	■
1.6 (CWVA)		Gasolina	FWD	1598	81	110	04.14-12.17	■
1.6 TDI (CAYC)		Diesel	FWD	1598	77	105	11.10-05.15	■
2.0 TDI (CFHA)		Diesel	FWD	1968	81	110	11.09-12.17	■
2.0 TDI (CLCA)		Diesel	FWD	1968	81	110	11.09-12.17	■
2.0 TDI (CUUA)		Diesel	FWD	1968	81	110	11.09-12.17	■
2.0 TDI (DFSA)		Diesel	FWD	1968	81	110	11.09-12.17	■
2.0 TDI 4x4 (CFHF)		Diesel	4WD	1968	81	110	11.09-12.17	■
2.0 TDI 4x4 (CUUA)		Diesel	4WD	1968	81	110	11.09-12.17	■
2.0 TDI 4x4 (DFSA)		Diesel	4WD	1968	81	110	11.09-12.17	■
<b>SKODA (SVW)</b>								
<b>KAMIQ (0N7) 06.18-</b>					<b>SUV (Compact Crossover CUV-C Segment)</b>			
1.5		Gasolina	FWD	1498	81	110	06.18-	■
1.5		Gasolina	FWD	1498	82	111	06.19-	■
<b>KAMIQ GT (0N8) 11.19-</b>					<b>SUV (Compact Crossover CUV-C Segment)</b>			
TSi230		Gasolina	FWD	1197	85	116	11.19-	■
1.5		Gasolina	FWD	1498	82	111	11.19-	■
<b>STREETSCOOTER</b>								
<b>WORK 01.15-</b>					<b>Platform/Chassis (LCVs-N1 Segment)</b>			
Elektro (B14)		Eléctrico	FWD		15	20	02.15-07.22	■
Elektro (B14)		Eléctrico	FWD		30	41	01.15-07.22	■
Elektro (B14)		Eléctrico	FWD		38	52	01.15-	■
Elektro (B16C, B16)		Eléctrico	FWD		39	53	05.18-07.22	■
Elektro		Eléctrico	FWD		48	65	01.15-07.22	■
<b>WORK 01.15-</b>					<b>Van (LCVs-N1 Segment)</b>			
Elektro (B14)		Eléctrico	FWD		30	41	01.15-07.22	■
Elektro (B14)		Eléctrico	FWD		38	52	01.15-	■
Elektro (B16C, B16)		Eléctrico	FWD		39	53	05.18-07.22	■
Elektro (B14)		Eléctrico	FWD		48	65	01.15-07.22	■
<b>VW</b>								
<b>BEETLE (5C7, 5C8) 12.11-</b>					<b>Convertible (Compact car-C Segment)</b>			
1.2 TSI (CBZB)	PR 1ZQ	Gasolina	FWD	1197	77	105	12.11-07.19	■
1.2 TSI 16V (CYVD)		Gasolina	FWD	1197	77	105	12.14-07.19	■
1.4 TSI (CAVD)	PR 1ZQ	Gasolina	FWD	1390	118	160	12.11-07.16	■
1.4 TSI (CNWA)	PR 1ZQ	Gasolina	FWD	1390	118	160	12.11-07.16	■
1.4 TSI (CTHD)	PR 1ZQ	Gasolina	FWD	1390	118	160	12.11-07.16	■
1.4 TSI (CTKA)	PR 1ZQ	Gasolina	FWD	1390	118	160	12.11-07.16	■
1.4 TSI (CZDA)	PR 1ZQ	Gasolina	FWD	1395	110	150	12.14-09.18	■
1.8 TSI	PR 1ZQ	Gasolina	FWD	1798	125	170	12.13-	■
2.0 TFSI (CBFA)	PR 1ZQ	Gasolina	FWD	1984	147	200	12.11-07.16	■
2.0 TFSI (CCTA)	PR 1ZQ	Gasolina	FWD	1984	147	200	12.11-07.16	■
2.0 TFSI (CCZA)	PR 1ZQ	Gasolina	FWD	1984	147	200	12.11-07.16	■
2.0 TSI (CPLA)	PR 1ZQ	Gasolina	FWD	1984	155	210	12.12-07.19	■
2.0 TSI (CPPA)	PR 1ZQ	Gasolina	FWD	1984	155	210	12.12-07.19	■

# LISTA DE APLICACIONES - BUYERS GUIDE

2.0 TSI (CULC)	PR 1ZQ	Gasolina	FWD	1984	162	220	12.14-09.18	■	
2.5 (CBTA)	PR 1ZQ, discØ 280	Gasolina	FWD	2480	125	170	12.11-07.16	■	
2.5 (CBUA)	PR 1ZQ, discØ 280	Gasolina	FWD	2480	125	170	12.11-07.16	■	
2.5 (CCCA)	PR 1ZQ, discØ 280	Gasolina	FWD	2480	125	170	12.11-07.16	■	
1.6 TDI (CAYC)	PR 1ZQ	Diesel	FWD	1598	77	105	12.11-07.16	■	
2.0 TDI (CUUA)	PR 1ZQ	Diesel	FWD	1968	81	110	06.14-09.18	■	
2.0 TDI (CFFB)	PR 1ZQ	Diesel	FWD	1968	103	140	04.12-07.16	■	
2.0 TDI (CJAA)	PR 1ZQ	Diesel	FWD	1968	103	140	04.12-07.16	■	
2.0 TDI (CUUB)	PR 1ZQ	Diesel	FWD	1968	110	150	09.14-09.18	■	
2.0 TDI (CVCA)	PR 1ZQ	Diesel	FWD	1968	110	150	09.14-09.18	■	
2.0 TDI (DELA)	PR 1ZQ	Diesel	FWD	1968	110	150	09.14-09.18	■	
<b>BEETLE / NOVO FUSCA (5C1, 5C2) 04.11-</b>							<b>Hatchback (Compact car-C Segment)</b>		
1.2 TSI (CBZB)		Gasolina	FWD	1197	77	105	07.11-07.19	■	
1.2 TSI 16V (CYVD)		Gasolina	FWD	1197	77	105	12.14-07.19	■	
1.4 TSI (CAVD)	PR 1ZQ	Gasolina	FWD	1390	118	160	10.11-07.16	■	
1.4 TSI (CNWA)	PR 1ZQ	Gasolina	FWD	1390	118	160	10.11-07.16	■	
1.4 TSI (CTHD)	PR 1ZQ	Gasolina	FWD	1390	118	160	10.11-07.16	■	
1.4 TSI (CTKA)	PR 1ZQ	Gasolina	FWD	1390	118	160	10.11-07.16	■	
1.4 TSI (CZDA)		Gasolina	FWD	1395	110	150	12.14-07.19	■	
2.5 (CBTA)		Gasolina	FWD	2480	125	170	04.11-07.19	■	
2.5 (CBUA)		Gasolina	FWD	2480	125	170	04.11-07.19	■	
2.5 (CCCA)		Gasolina	FWD	2480	125	170	04.11-07.19	■	
1.6 TDI (CAYC)		Diesel	FWD	1598	77	105	10.11-07.16	■	
2.0 TDI (CUUA)		Diesel	FWD	1968	81	110	06.14-09.18	■	
2.0 TDI (CFFB)	01/12-, PR 1ZQ	Diesel	FWD	1968	103	140	04.11-07.16	■	
2.0 TDI (CJAA)	01/12-, PR 1ZQ	Diesel	FWD	1968	103	140	04.11-07.16	■	
2.0 TDI (CUUB)		Diesel	FWD	1968	110	150	07.14-09.18	■	
2.0 TDI (CVCA)		Diesel	FWD	1968	110	150	07.14-09.18	■	
2.0 TDI (DELA)		Diesel	FWD	1968	110	150	07.14-09.18	■	
<b>BORA / JETTA IV (1J2) 10.98-12.13</b>							<b>Saloon (Compact car-C Segment)</b>		
1.4 16V (AHW)		Gasolina	FWD	1390	55	75	03.00-05.05	■	
1.4 16V (AKQ)		Gasolina	FWD	1390	55	75	03.00-05.05	■	
1.4 16V (APE)		Gasolina	FWD	1390	55	75	03.00-05.05	■	
1.4 16V (AXP)		Gasolina	FWD	1390	55	75	03.00-05.05	■	
1.4 16V (BCA)		Gasolina	FWD	1390	55	75	03.00-05.05	■	
1.6 (AEH)	-12/99	Gasolina	FWD	1595	74	101	10.98-05.05	■	
1.6 (AKL)	-12/99	Gasolina	FWD	1595	74	101	10.98-05.05	■	
1.6 (APF)	-12/99	Gasolina	FWD	1595	74	101	10.98-05.05	■	
1.6 (AVU)		Gasolina	FWD	1595	75	102	08.00-05.05	■	
1.6 (BFQ)		Gasolina	FWD	1595	75	102	08.00-05.05	■	
1.6 16V (ATN)		Gasolina	FWD	1598	77	105	05.00-05.05	■	
1.6 16V (AUS)		Gasolina	FWD	1598	77	105	05.00-05.05	■	
1.6 16V (AZD)		Gasolina	FWD	1598	77	105	05.00-05.05	■	
1.6 16V (BCB)		Gasolina	FWD	1598	77	105	05.00-05.05	■	
1.6 FSI (BAD)		Gasolina	FWD	1598	81	110	01.02-05.05	■	
1.8 (AGN)	-12/99	Gasolina	FWD	1781	92	125	10.98-05.05	■	
1.8 (BAF)	-12/99	Gasolina	FWD	1781	92	125	10.98-05.05	■	
1.8 4motion (AGN)	-12/99	Gasolina	4WD	1781	92	125	02.99-05.05	■	
2.0 (AEG)	-12/99	Gasolina	FWD	1984	85	115	10.98-12.13	■	
2.0 (APK)	-12/99	Gasolina	FWD	1984	85	115	10.98-12.13	■	

# LISTA DE APLICACIONES - BUYERS GUIDE

2.0 (AQY)	-12/99	Gasolina	FWD	1984	85	115	10.98-12.13	■	
2.0 (AVH)	-12/99	Gasolina	FWD	1984	85	115	10.98-12.13	■	
2.0 (AZG)	-12/99	Gasolina	FWD	1984	85	115	10.98-12.13	■	
2.0 (AZH)	-12/99	Gasolina	FWD	1984	85	115	10.98-12.13	■	
2.0 (AZJ)	-12/99	Gasolina	FWD	1984	85	115	10.98-12.13	■	
2.0 (BBW)	-12/99	Gasolina	FWD	1984	85	115	10.98-12.13	■	
2.0 (BER)	-12/99	Gasolina	FWD	1984	85	115	10.98-12.13	■	
2.0 (BEV)	-12/99	Gasolina	FWD	1984	85	115	10.98-12.13	■	
2.0 (BHP)	-12/99	Gasolina	FWD	1984	85	115	10.98-12.13	■	
2.0 (CBPA)	-12/99	Gasolina	FWD	1984	85	115	10.98-12.13	■	
2.0 (CFEA)	-12/99	Gasolina	FWD	1984	85	115	10.98-12.13	■	
2.0 (CBPA)		Gasolina	FWD	1984	85	116	01.05-12.14	■	
2.0 4motion (AZH)		Gasolina	4WD	1984	85	115	04.00-05.05	■	
2.0 4motion (AZJ)		Gasolina	4WD	1984	85	115	04.00-05.05	■	
1.9 SDI (AGP)	-12/99	Diesel	FWD	1896	50	68	10.98-05.05	■	
1.9 SDI (AQM)	-12/99	Diesel	FWD	1896	50	68	10.98-05.05	■	
1.9 TDI (AGR)	-12/99	Diesel	FWD	1896	66	90	10.98-05.05	■	
1.9 TDI (ALH)	-12/99	Diesel	FWD	1896	66	90	10.98-05.05	■	
1.9 TDI 4motion (AGR)		Diesel	4WD	1896	66	90	11.98-04.02	■	
1.9 TDI (ATD)		Diesel	FWD	1896	74	101	09.00-05.05	■	
1.9 TDI (AXR)		Diesel	FWD	1896	74	101	09.00-05.05	■	
1.9 TDI (BEW)		Diesel	FWD	1896	74	101	09.00-05.05	■	
1.9 TDI 4motion (ATD)		Diesel	4WD	1896	74	101	09.00-05.05	■	
1.9 TDI (AHF)	-12/99	Diesel	FWD	1896	81	110	10.98-06.01	■	
1.9 TDI (ASV)	-12/99	Diesel	FWD	1896	81	110	10.98-06.01	■	
1.9 TDI (AJM)	-12/99	Diesel	FWD	1896	85	115	12.98-01.02	■	
1.9 TDI (AUJ)	-12/99	Diesel	FWD	1896	85	115	12.98-01.02	■	
1.9 TDI 4motion (AJM)		Diesel	4WD	1896	85	115	02.99-06.01	■	
1.9 TDI 4motion (AUJ)		Diesel	4WD	1896	85	115	02.99-06.01	■	
1.9 TDI 4motion (ASZ)		Diesel	4WD	1896	96	130	11.00-05.05	■	
<b>BORA Variant / JETTA IV (1J6) 05.99-05.05</b>							<b>Estate (Compact car-C Segment)</b>		
1.4 16V (AHW)		Gasolina	FWD	1390	55	75	09.01-05.05	■	
1.4 16V (AXP)		Gasolina	FWD	1390	55	75	09.01-05.05	■	
1.4 16V (BCA)		Gasolina	FWD	1390	55	75	09.01-05.05	■	
1.6 (AEH)	-12/99	Gasolina	FWD	1595	74	100	05.99-05.05	■	
1.6 (AKL)	-12/99	Gasolina	FWD	1595	74	100	05.99-05.05	■	
1.6 (APF)	-12/99	Gasolina	FWD	1595	74	100	05.99-05.05	■	
1.6 (AVU)		Gasolina	FWD	1595	75	102	08.00-05.05	■	
1.6 (BFQ)		Gasolina	FWD	1595	75	102	08.00-05.05	■	
1.6 16V (ATN)		Gasolina	FWD	1598	77	105	02.00-05.05	■	
1.6 16V (AUS)		Gasolina	FWD	1598	77	105	02.00-05.05	■	
1.6 16V (AZD)		Gasolina	FWD	1598	77	105	02.00-05.05	■	
1.6 16V (BCB)		Gasolina	FWD	1598	77	105	02.00-05.05	■	
1.6 FSI (BAD)		Gasolina	FWD	1598	81	110	01.02-05.05	■	
1.8 4motion (AGN)	-12/99	Gasolina	4WD	1781	92	125	05.99-05.05	■	
2.0 (APK)		Gasolina	FWD	1984	85	115	05.99-05.05	■	
2.0 (AQY)		Gasolina	FWD	1984	85	115	05.99-05.05	■	
2.0 (AVH)		Gasolina	FWD	1984	85	115	05.99-05.05	■	
2.0 (AZG)		Gasolina	FWD	1984	85	115	05.99-05.05	■	
2.0 (AZH)		Gasolina	FWD	1984	85	115	05.99-05.05	■	
2.0 (AZJ)		Gasolina	FWD	1984	85	115	05.99-05.05	■	

# LISTA DE APLICACIONES - BUYERS GUIDE

2.0 (BEV)		Gasolina	FWD	1984	85	115	05.99-05.05	■
2.0 4motion (AZH)		Gasolina	4WD	1984	85	115	04.00-05.05	■
2.0 4motion (AZJ)		Gasolina	4WD	1984	85	115	04.00-05.05	■
2.0 4motion (ATF)		Gasolina	4WD	1984	88	120	12.99-05.03	■
1.9 TDI (AGR)		Diesel	FWD	1896	66	90	07.04-05.05	■
1.9 TDI (ALH)		Diesel	FWD	1896	66	90	07.04-05.05	■
1.9 TDI (ATD)		Diesel	FWD	1896	74	101	09.00-05.05	■
1.9 TDI (AXR)		Diesel	FWD	1896	74	101	09.00-05.05	■
1.9 TDI (BEW)		Diesel	FWD	1896	74	101	09.00-05.05	■
1.9 TDI 4motion (ATD)		Diesel	4WD	1896	74	101	09.00-05.05	■
1.9 TDI (AHF)		Diesel	FWD	1896	81	110	05.99-06.01	■
1.9 TDI (ASV)		Diesel	FWD	1896	81	110	05.99-06.01	■
1.9 TDI (AJM)		Diesel	FWD	1896	85	115	05.99-06.01	■
1.9 TDI (AUY)		Diesel	FWD	1896	85	115	05.99-06.01	■
1.9 TDI 4motion (AJM)		Diesel	4WD	1896	85	115	05.99-06.01	■
1.9 TDI 4motion (AUY)		Diesel	4WD	1896	85	115	05.99-06.01	■
<b>CADDY III (2KA, 2KH, 2CA, 2CH) 03.04-03.16</b>					<b>Box Body/MPV (LCVs-N1 Segment)</b>			
1.2 TSI (CBZA)		Gasolina	FWD	1197	63	86	09.10-05.15	■
1.2 TSI (CBZB)		Gasolina	FWD	1197	77	105	09.10-05.15	■
1.4 (BCA)		Gasolina	FWD	1390	55	75	03.04-05.06	■
1.4 (BUD)		Gasolina	FWD	1390	59	80	05.06-08.10	■
1.6 (BGU)		Gasolina	FWD	1595	75	102	04.04-05.15	■
1.6 (BSE)		Gasolina	FWD	1595	75	102	04.04-05.15	■
1.6 (BSF)		Gasolina	FWD	1595	75	102	04.04-05.15	■
1.6 BiFuel (CHGA)		Gasol./Gas (LPG)	FWD	1595	75	102	05.11-05.15	■
1.6 TDI (CAYE)		Diesel	FWD	1598	55	75	08.10-05.15	■
1.6 TDI (CAYD)		Diesel	FWD	1598	75	102	08.10-05.15	■
1.9 TDI (BSU)		Diesel	FWD	1896	55	75	09.05-08.10	■
1.9 TDI (BJB)		Diesel	FWD	1896	77	105	04.04-08.10	■
1.9 TDI (BLS)		Diesel	FWD	1896	77	105	04.04-08.10	■
1.9 TDI 4motion (BLS)		Diesel	4WD	1896	77	105	11.08-08.10	■
2.0 SDI (BDJ)		Diesel	FWD	1968	51	70	03.04-08.10	■
2.0 SDI (BST)		Diesel	FWD	1968	51	70	03.04-08.10	■
2.0 TDI (CFHE)		Diesel	FWD	1968	62	85	11.10-05.15	■
2.0 TDI 4motion (CFHE)		Diesel	4WD	1968	62	85	12.10-05.15	■
2.0 TDI (CLCA)		Diesel	FWD	1968	81	110	08.10-05.15	■
2.0 TDI 4motion (CFHF)		Diesel	4WD	1968	81	110	08.10-05.15	■
2.0 TDI (BMM)		Diesel	FWD	1968	103	140	09.07-08.10	■
2.0 TDI 16V (CFHC)		Diesel	FWD	1968	103	140	11.10-05.15	■
2.0 TDI 16V (CLCB)		Diesel	FWD	1968	103	140	11.10-05.15	■
2.0 TDI 16V 4motion (CFHC)		Diesel	4WD	1968	103	140	11.10-05.15	■
2.0 TDI (CFJA)		Diesel	FWD	1968	125	170	05.12-05.15	■
2.0 EcoFuel (BSX)		CNG	FWD	1984	80	109	04.06-05.15	■
<b>CADDY III (2KB, 2KJ, 2CB, 2CJ) 03.04-03.16</b>					<b>MPV (Mini MPV-M1 Segment)</b>			
1.2 TSI (CBZA)		Gasolina	FWD	1197	63	86	09.10-05.15	■
1.2 TSI (CBZB)		Gasolina	FWD	1197	77	105	09.10-05.15	■
1.4 (BCA)		Gasolina	FWD	1390	55	75	03.04-05.06	■
1.4 (BUD)		Gasolina	FWD	1390	59	80	05.06-08.10	■
1.6 (BGU)		Gasolina	FWD	1595	75	102	04.04-05.15	■
1.6 (BSE)		Gasolina	FWD	1595	75	102	04.04-05.15	■

# LISTA DE APLICACIONES - BUYERS GUIDE

1.6 (BSF)		Gasolina	FWD	1595	75	102	04.04-05.15	■
1.6 BiFuel (CHGA)		Gasol./Gas (LPG)	FWD	1595	75	102	05.11-05.15	■
1.6 TDI (CAYE)		Diesel	FWD	1598	55	75	08.10-05.15	■
1.6 TDI (CAYD)		Diesel	FWD	1598	75	102	08.10-05.15	■
1.9 D		Diesel	FWD	1896	48	65	10.05-06.09	■
1.9 TDI (BSU)		Diesel	FWD	1896	55	75	09.05-08.10	■
1.9 TDI (BJB)		Diesel	FWD	1896	77	105	04.04-08.10	■
1.9 TDI (BLS)		Diesel	FWD	1896	77	105	04.04-08.10	■
1.9 TDI 4motion (BLS)		Diesel	4WD	1896	77	105	05.08-08.10	■
2.0 SDI (BDJ)		Diesel	FWD	1968	51	70	03.04-08.10	■
2.0 SDI (BST)		Diesel	FWD	1968	51	70	03.04-08.10	■
2.0 TDI (CLCA)		Diesel	FWD	1968	81	110	08.10-05.15	■
2.0 TDI 4motion (CFHF)		Diesel	4WD	1968	81	110	08.10-05.15	■
2.0 TDI (BMM)		Diesel	FWD	1968	103	140	09.07-08.10	■
2.0 TDI 16V (CFHC)		Diesel	FWD	1968	103	140	11.10-05.15	■
2.0 TDI 16V (CLCB)		Diesel	FWD	1968	103	140	11.10-05.15	■
2.0 TDI 16V 4motion (CFHC)		Diesel	4WD	1968	103	140	11.10-05.15	■
2.0 TDI (CFJA)		Diesel	FWD	1968	125	170	05.12-05.15	■
2.0 EcoFuel (BSX)		CNG	FWD	1984	80	109	04.06-05.15	■
<b>FOX II (5Z1) 09.10-12.11</b>						<b>Hatchback Van (City car-A Segment)</b>		
1.2 (CHFA)		Gasolina	FWD	1198	44	60	09.10-12.11	■
<b>FOX II (5Z1, 5Z3, 5Z4, 5Z5) 08.03-</b>						<b>Hatchback (City car-A Segment)</b>		
1.0		Gasolina	FWD	999	52	71	10.03-	■
1.0		Gasolina	FWD	999	53	72	08.03-12.09	■
1.0		Gasolina	FWD	999	54	73	04.08-12.09	■
1.2 (BMD)		Gasolina	FWD	1198	40	55	04.05-07.11	■
1.2 (CHFB)		Gasolina	FWD	1198	40	55	04.05-07.11	■
1.2 (CHFA)		Gasolina	FWD	1198	44	60	09.10-12.11	■
1.4 (BKR)		Gasolina	FWD	1390	55	75	04.05-12.09	■
1.6		Gasolina	FWD	1598	73	99	01.05-	■
1.6 (BAH)	Type 5Z1, PR 1LG, PR 1LR, discØ 256, discØ 280	Gasolina	FWD	1598	74	101	10.03-10.21	■
1.6 (BJA)	Type 5Z1, PR 1LG, PR 1LR, discØ 256, discØ 280	Gasolina	FWD	1598	74	101	10.03-10.21	■
1.6 (BLH)	Type 5Z1, PR 1LG, PR 1LR, discØ 256, discØ 280	Gasolina	FWD	1598	74	101	10.03-10.21	■
1.6 (BPA)	Type 5Z1, PR 1LG, PR 1LR, discØ 256, discØ 280	Gasolina	FWD	1598	74	101	10.03-10.21	■
1.6 (CFZA)	Type 5Z1, PR 1LG, PR 1LR, discØ 256, discØ 280	Gasolina	FWD	1598	74	101	10.03-10.21	■
1.6 Alcohol		Gasolina	FWD	1598	76	103	10.03-	■
1.6		Gasolina	FWD	1599	69	94	10.03-	■
1.6		Gasolina	FWD	1599	81	110	10.15-	■
1.0 TotalFlex		Gasol./Metanol	FWD	999	52	71	08.03-12.09	■
1.0 TotalFlex		Gasol./Etanol	FWD	999	53	72	08.03-12.09	■
1.0 City Total Flex		Gasol./Etanol	FWD	999	54	73	05.05-10.14	■
1.0 TotalFlex		Gasol./Etanol	FWD	999	56	76	05.05-12.15	■
1.0 TotalFlex		Gasol./Etanol	FWD	999	60	82	07.13-12.17	■
1.6 TotalFlex (BPA)		Gasol./Etanol	FWD	1598	73	98	09.07-12.09	■
1.6 TotalFlex (BJA)		Gasol./Etanol	FWD	1598	74	101	10.03-08.14	■

# LISTA DE APLICACIONES - BUYERS GUIDE

1.6 TotalFlex (BPA)		Gasol./Etanol	FWD	1598	74	101	10.03-08.14	■	
1.6 TotalFlex (CCRA)		Gasol./Etanol	FWD	1598	74	101	10.03-08.14	■	
1.6 TotalFlex (BJA)		Gasol./Etanol	FWD	1598	77	105	10.03-10.21	■	
1.6 TotalFlex (BPA)		Gasol./Etanol	FWD	1598	77	105	10.03-10.21	■	
1.4 TDI (BNM)		Diesel	FWD	1422	51	70	04.05-12.09	■	
1.9 D		Diesel	FWD	1896	47	64	12.07-12.09	■	
<b>GOLF IV (1J1) 08.97-04.08</b>							<b>Hatchback (Compact car-C Segment)</b>		
1.4 16V (AHW)		Gasolina	FWD	1390	55	75	10.97-05.04	■	
1.4 16V (AKQ)		Gasolina	FWD	1390	55	75	10.97-05.04	■	
1.4 16V (APE)		Gasolina	FWD	1390	55	75	10.97-05.04	■	
1.4 16V (AXP)		Gasolina	FWD	1390	55	75	10.97-05.04	■	
1.4 16V (BCA)		Gasolina	FWD	1390	55	75	10.97-05.04	■	
1.6 (AEH)		Gasolina	FWD	1595	74	100	08.97-05.04	■	
1.6 (AKL)		Gasolina	FWD	1595	74	100	08.97-05.04	■	
1.6 (APF)		Gasolina	FWD	1595	74	100	08.97-05.04	■	
1.6 (BAH)	PR 1LQ, PR 1ZF	Gasolina	FWD	1598	74	101	02.01-03.07	■	
1.6 FSI (BAD)		Gasolina	FWD	1598	81	110	01.02-06.05	■	
1.8		Gasolina	FWD	1781	66	90	10.97-09.99	■	
1.8	-12/99	Gasolina	FWD	1781	77	105	04.98-05.02	■	
1.8 (AGN)	01/98-	Gasolina	FWD	1781	92	125	08.97-06.05	■	
1.8 4motion (AGN)	-12/99	Gasolina	4WD	1781	92	125	05.98-06.05	■	
2.0 (AEG)	-12/99	Gasolina	FWD	1984	85	115	07.98-05.04	■	
2.0 (APK)	-12/99	Gasolina	FWD	1984	85	115	07.98-05.04	■	
2.0 (AQY)	-12/99	Gasolina	FWD	1984	85	115	07.98-05.04	■	
2.0 (AVH)	-12/99	Gasolina	FWD	1984	85	115	07.98-05.04	■	
2.0 (AZG)	-12/99	Gasolina	FWD	1984	85	115	07.98-05.04	■	
2.0 (AZJ)	-12/99	Gasolina	FWD	1984	85	115	07.98-05.04	■	
2.0 (BER)	-12/99	Gasolina	FWD	1984	85	115	07.98-05.04	■	
2.0 (BEV)	-12/99	Gasolina	FWD	1984	85	115	07.98-05.04	■	
2.0 4motion (AZH)		Gasolina	4WD	1984	85	115	10.00-06.05	■	
2.0 4motion (AZJ)		Gasolina	4WD	1984	85	115	10.00-06.05	■	
2.0 BiFuel (BEH)		Gasol./Gas (CNG)	FWD	1984	85	116	05.02-05.03	■	
1.9 SDI (AGP)		Diesel	FWD	1896	50	68	08.97-06.05	■	
1.9 SDI (AQM)		Diesel	FWD	1896	50	68	08.97-06.05	■	
1.9 TD		Diesel	FWD	1896	55	75	10.97-09.99	■	
1.9 TDI (AGR)	-12/99	Diesel	FWD	1896	66	90	10.97-05.04	■	
1.9 TDI (ALH)	-12/99	Diesel	FWD	1896	66	90	10.97-05.04	■	
1.9 TDI 4motion (AGR)		Diesel	4WD	1896	66	90	07.98-04.02	■	
1.9 TDI (ATD)		Diesel	FWD	1896	74	101	09.00-06.05	■	
1.9 TDI (AXR)		Diesel	FWD	1896	74	101	09.00-06.05	■	
1.9 TDI (BEW)		Diesel	FWD	1896	74	101	09.00-06.05	■	
1.9 TDI 4motion (ATD)		Diesel	4WD	1896	74	101	09.00-06.05	■	
1.9 TDI (AHF)	-12/99	Diesel	FWD	1896	81	110	08.97-05.04	■	
1.9 TDI (ASV)	-12/99	Diesel	FWD	1896	81	110	08.97-05.04	■	
1.9 TDI (AJM)		Diesel	FWD	1896	85	115	12.98-06.01	■	
1.9 TDI (AUY)		Diesel	FWD	1896	85	115	12.98-06.01	■	
1.9 TDI 4motion (AJM)		Diesel	4WD	1896	85	115	09.99-06.01	■	
1.9 TDI 4motion (AUY)		Diesel	4WD	1896	85	115	09.99-06.01	■	

# LISTA DE APLICACIONES - BUYERS GUIDE

<b>GOLF IV VAN Variant / JETTA IV (1J5) 05.99-06.06</b>					<b>Estate Van (Compact car-C Segment)</b>			
1.4 (AXP)		Gasolina	FWD	1390	55	75	05.00-06.06	■
1.4 (BCA)		Gasolina	FWD	1390	55	75	05.00-06.06	■
1.6 (AUS)		Gasolina	FWD	1598	77	105	05.00-06.06	■
1.6 (AZD)		Gasolina	FWD	1598	77	105	05.00-06.06	■
1.6 (BCB)		Gasolina	FWD	1598	77	105	05.00-06.06	■
1.9 SDI (AQM)		Diesel	FWD	1896	50	68	05.99-05.06	■
1.9 TDI (AGR)		Diesel	FWD	1896	66	90	05.99-05.06	■
1.9 TDI (ALH)		Diesel	FWD	1896	66	90	05.99-05.06	■
1.9 TDI (ATD)		Diesel	FWD	1896	74	101	02.00-06.06	■
1.9 TDI (AXR)		Diesel	FWD	1896	74	101	02.00-06.06	■
1.9 TDI (AHF)		Diesel	FWD	1896	81	110	05.99-05.06	■
1.9 TDI (ASV)		Diesel	FWD	1896	81	110	05.99-05.06	■
1.9 TDI (AJM)		Diesel	FWD	1896	85	116	05.99-04.02	■
<b>GOLF IV Variant / JETTA IV (1J5) 05.99-06.06</b>					<b>Estate (Compact car-C Segment)</b>			
1.4 16V (AHW)		Gasolina	FWD	1390	55	75	05.99-06.06	■
1.4 16V (AKQ)		Gasolina	FWD	1390	55	75	05.99-06.06	■
1.4 16V (APE)		Gasolina	FWD	1390	55	75	05.99-06.06	■
1.4 16V (AXP)		Gasolina	FWD	1390	55	75	05.99-06.06	■
1.4 16V (BCA)		Gasolina	FWD	1390	55	75	05.99-06.06	■
1.6 (AEH)		Gasolina	FWD	1595	74	101	05.99-04.02	■
1.6 (AKL)		Gasolina	FWD	1595	74	101	05.99-04.02	■
1.6 (APF)		Gasolina	FWD	1595	74	101	05.99-04.02	■
1.6 (AVU)		Gasolina	FWD	1595	75	102	08.00-06.06	■
1.6 (BFQ)		Gasolina	FWD	1595	75	102	08.00-06.06	■
1.6 16V (ATN)		Gasolina	FWD	1598	77	105	02.00-06.06	■
1.6 16V (AUS)		Gasolina	FWD	1598	77	105	02.00-06.06	■
1.6 16V (AZD)		Gasolina	FWD	1598	77	105	02.00-06.06	■
1.6 16V (BCB)		Gasolina	FWD	1598	77	105	02.00-06.06	■
1.6 FSI (BAD)		Gasolina	FWD	1598	81	110	01.02-06.06	■
1.8 4motion (AGN)		Gasolina	4WD	1781	92	125	05.99-06.06	■
2.0 (APK)		Gasolina	FWD	1984	85	115	05.99-06.06	■
2.0 (AQY)		Gasolina	FWD	1984	85	115	05.99-06.06	■
2.0 (AZJ)		Gasolina	FWD	1984	85	115	05.99-06.06	■
2.0 4motion (AZH)		Gasolina	4WD	1984	85	115	10.00-06.06	■
2.0 4motion (AZJ)		Gasolina	4WD	1984	85	115	10.00-06.06	■
2.0 Bi-Fuel (BEH)		Gasol./Gas (CNG)	FWD	1984	85	116	02.02-06.06	■
1.9 SDI (AGP)		Diesel	FWD	1896	50	68	05.99-06.06	■
1.9 SDI (AQM)		Diesel	FWD	1896	50	68	05.99-06.06	■
1.9 TDI (AGR)		Diesel	FWD	1896	66	90	05.99-05.06	■
1.9 TDI (ALH)		Diesel	FWD	1896	66	90	05.99-05.06	■
1.9 TDI 4motion (AGR)		Diesel	4WD	1896	66	90	05.99-04.02	■
1.9 TDI (ATD)		Diesel	FWD	1896	74	101	09.00-06.06	■
1.9 TDI (AXR)		Diesel	FWD	1896	74	101	09.00-06.06	■
1.9 TDI 4motion (ATD)		Diesel	4WD	1896	74	101	09.00-06.06	■
1.9 TDI (AHF)		Diesel	FWD	1896	81	110	05.99-06.01	■
1.9 TDI (ASV)		Diesel	FWD	1896	81	110	05.99-06.01	■
1.9 TDI (AJM)		Diesel	FWD	1896	85	115	08.99-06.01	■
1.9 TDI (AUY)		Diesel	FWD	1896	85	115	08.99-06.01	■

# LISTA DE APLICACIONES - BUYERS GUIDE

1.9 TDI 4motion (AJM)		Diesel	4WD	1896	85	115	12.99-04.01	■	
1.9 TDI 4motion (ARL)		Diesel	4WD	1896	110	150	05.02-06.05	■	
<b>GOLF V / RABBIT V (1K1) 07.03-</b>							<b>Hatchback Van ()</b>		
TDI		Diesel	FWD	1896	77	105	11.03-02.06	■	
<b>GOLF V / RABBIT V (1K1) 10.03-07.10</b>							<b>Hatchback (Compact car-C Segment)</b>		
1.4 16V (BCA)		Gasolina	FWD	1390	55	75	10.03-05.06	■	
1.4 16V (BUD)		Gasolina	FWD	1390	59	80	05.06-11.08	■	
1.4 FSI (BKG)		Gasolina	FWD	1390	66	90	10.03-07.06	■	
1.4 FSI (BLN)		Gasolina	FWD	1390	66	90	10.03-07.06	■	
1.6 (BGU)		Gasolina	FWD	1595	75	102	01.04-11.08	■	
1.6 (BSE)		Gasolina	FWD	1595	75	102	01.04-11.08	■	
1.6 (BSF)		Gasolina	FWD	1595	75	102	01.04-11.08	■	
1.6 (CCSA)		Gasolina	FWD	1595	75	102	01.04-11.08	■	
1.6 FSI (BAG)		Gasolina	FWD	1598	85	115	10.03-07.08	■	
1.6 FSI (BLF)		Gasolina	FWD	1598	85	115	10.03-07.08	■	
1.6 FSI (BLP)		Gasolina	FWD	1598	85	115	10.03-07.08	■	
1.6 MultiFuel (CCSA)		Gasol./Etanol	FWD	1595	75	102	10.07-11.08	■	
1.9 TDI (BRU)		Diesel	FWD	1896	66	90	05.04-11.08	■	
1.9 TDI (BXF)		Diesel	FWD	1896	66	90	05.04-11.08	■	
1.9 TDI (BXJ)		Diesel	FWD	1896	66	90	05.04-11.08	■	
1.9 TDI (BKC)		Diesel	FWD	1896	77	105	10.03-11.08	■	
1.9 TDI (BLS)		Diesel	FWD	1896	77	105	10.03-11.08	■	
1.9 TDI (BXE)		Diesel	FWD	1896	77	105	10.03-11.08	■	
2.0 SDI (BDK)		Diesel	FWD	1968	55	75	01.04-11.08	■	
<b>GOLF V Variant / BORA V / JETTA V / VENTO V (1K5) 01.07-07.09</b>							<b>Estate (Compact car-C Segment)</b>		
1.4 (BUD)		Gasolina	FWD	1390	59	80	06.07-07.09	■	
1.6 (BSE)		Gasolina	FWD	1595	75	102	06.07-07.09	■	
1.6 (BSF)		Gasolina	FWD	1595	75	102	06.07-07.09	■	
1.6 (CCSA)		Gasolina	FWD	1595	75	102	06.07-07.09	■	
1.6 MultiFuel (CCSA)		Gasol./Etanol	FWD	1595	75	102	11.07-07.09	■	
1.9 TDI (BLS)		Diesel	FWD	1896	77	105	06.07-07.09	■	
1.9 TDI (BXE)		Diesel	FWD	1896	77	105	06.07-07.09	■	
<b>GOLF VI / JETTA VI (5K1) 10.08-11.12</b>							<b>Hatchback Van (Compact car-C Segment)</b>		
1.2 TSi (CBZA)		Gasolina	FWD	1197	63	86	05.10-11.12	■	
1.2 TSi (CBZB)		Gasolina	FWD	1197	77	105	05.09-11.12	■	
1.2 TSi (CBZB)		Gasolina	FWD	1197	77	105	11.09-08.14	■	
1.4 TSi (CAXA)		Gasolina	FWD	1390	90	122	01.09-08.14	■	
TSi (CAXA)		Gasolina	FWD	1390	90	122	10.08-11.12	■	
1.4 TSi (CAVD)		Gasolina	FWD	1390	118	160	10.08-11.12	■	
1.4 TSi (CAVD)		Gasolina	FWD	1390	118	160	01.09-09.12	■	
2.0 GTI (CCZB)		Gasolina	FWD	1984	155	211	02.09-11.12	■	
2.0 TSi R 4motion (CDLF)		Gasolina	4WD	1984	199	271	11.09-11.12	■	
1.6 TDI (CAYB)		Diesel	FWD	1598	66	90	02.09-11.12	■	
1.6 TDI (CAYB)		Diesel	FWD	1598	66	90	02.09-08.14	■	
1.6 TDI (CAYC)		Diesel	FWD	1598	77	105	05.09-11.12	■	
1.6 TDI (CAYC)		Diesel	FWD	1598	77	105	02.09-08.14	■	
2.0 TDI (CFFB)		Diesel	FWD	1968	103	140	09.09-11.12	■	
2.0 TDI (CJAA)		Diesel	FWD	1968	103	140	09.09-11.12	■	
2.0 TDI (CFHC)		Diesel	FWD	1968	103	140	11.09-08.14	■	

# LISTA DE APLICACIONES - BUYERS GUIDE

2.0 TDI (CFGB)		Diesel	FWD	1968	125	170	05.10-11.12	■
<b>GOLF VI / JETTA VI (5K1) 10.08-12.14</b>				<b>Hatchback (Compact car-C Segment)</b>				
1.2 TSI (CBZA)		Gasolina	FWD	1197	63	86	05.10-11.12	■
1.2 TSI (CBZB)		Gasolina	FWD	1197	77	105	11.08-11.12	■
1.4 (CGGA)		Gasolina	FWD	1390	59	80	10.08-11.12	■
1.4 TSI (CAXA)		Gasolina	FWD	1390	90	122	10.08-11.12	■
1.4 TSI (CAVD)		Gasolina	FWD	1390	118	160	10.08-11.12	■
1.4 TSI (CNWA)		Gasolina	FWD	1390	118	160	10.08-11.12	■
1.4 TSI (CTHD)		Gasolina	FWD	1390	118	160	10.08-11.12	■
1.6 (BSE)		Gasolina	FWD	1595	75	102	10.08-11.12	■
1.6 (BSF)		Gasolina	FWD	1595	75	102	10.08-11.12	■
1.6 (CCSA)		Gasolina	FWD	1595	75	102	10.08-11.12	■
1.6 (CMXA)		Gasolina	FWD	1595	75	102	10.08-11.12	■
1.8 TSI (CDAA)		Gasolina	FWD	1798	118	160	06.09-01.11	■
2.0 Flex		Gasolina	FWD	1984	88	120	10.08-	■
2.0 GTI (CBFA)		Gasolina	FWD	1984	147	200	06.09-11.13	■
2.0 GTI (CCTA)		Gasolina	FWD	1984	147	200	06.09-11.13	■
2.0 GTI (CCZA)		Gasolina	FWD	1984	147	200	06.09-11.13	■
2.0 GTI (CCZB)		Gasolina	FWD	1984	155	210	04.09-11.12	■
2.0 GTI (CDLG)		Gasolina	FWD	1984	173	235	05.11-11.12	■
2.0 R 4motion (CDLC)		Gasolina	4WD	1984	188	256	11.09-11.13	■
2.0 R 4motion (CRZA)		Gasolina	4WD	1984	188	256	11.09-11.13	■
2.0 R 4motion (CDLA)		Gasolina	4WD	1984	195	265	11.09-05.11	■
2.0 R 4motion (CDLF)		Gasolina	4WD	1984	199	270	11.09-11.12	■
2.5 (CBTA)		Gasolina	FWD	2480	125	170	07.09-05.13	■
2.5 (CBUA)		Gasolina	FWD	2480	125	170	07.09-05.13	■
1.6 BiFuel (CHGA)		Gasol./Gas (LPG)	FWD	1595	75	102	03.09-11.12	■
1.6 MultiFuel (CCSA)		Gasol./Etanol	FWD	1595	75	102	10.08-11.12	■
1.6 MultiFuel (CMXA)		Gasol./Etanol	FWD	1595	75	102	10.08-11.12	■
Blue E-Motion (EAA)	PR 1ZF, PR 1ZM	Eléctrico	FWD		65	88	12.10-11.13	■
1.6 TDI (CAYB)		Diesel	FWD	1598	66	90	02.09-11.12	■
1.6 TDI (CAYC)		Diesel	FWD	1598	77	105	02.09-11.12	■
2.0 TDI (CBDC)		Diesel	FWD	1968	81	110	10.08-11.12	■
2.0 TDI (CLCA)		Diesel	FWD	1968	81	110	10.08-11.12	■
2.0 TDI (CBAA)		Diesel	FWD	1968	100	136	10.08-11.12	■
2.0 TDI (CFFA)		Diesel	FWD	1968	100	136	10.08-11.12	■
2.0 TDI (CBAB)		Diesel	FWD	1968	103	140	10.08-05.13	■
2.0 TDI (CFFB)		Diesel	FWD	1968	103	140	10.08-05.13	■
2.0 TDI (CJAA)		Diesel	FWD	1968	103	140	10.08-05.13	■
2.0 TDI 4motion (CBAB)		Diesel	4WD	1968	103	140	05.09-11.12	■
2.0 TDI 4motion (CFFB)		Diesel	4WD	1968	103	140	05.09-11.12	■
2.0 TDI (CBBB)		Diesel	FWD	1968	125	170	04.09-11.12	■
2.0 TDI (CFGB)		Diesel	FWD	1968	125	170	04.09-11.12	■
<b>GOLF VI VAN Variant / JETTA VI (AJ5) 07.09-05.14</b>				<b>Estate Van (Compact car-C Segment)</b>				
1.2 TSI (CBZB)		Gasolina	FWD	1197	77	105	09.09-05.14	■
1.4 TSI (CAXA)		Gasolina	FWD	1390	90	122	07.09-05.14	■
1.4 TSI (CAVD)		Gasolina	FWD	1390	118	160	07.09-10.12	■
1.6 TDI (CAYB)		Diesel	FWD	1598	66	90	12.09-10.12	■
1.6 TDI (CAYC)		Diesel	FWD	1598	77	105	07.09-05.14	■

# LISTA DE APLICACIONES - BUYERS GUIDE

2.0 TDI (CBDB)		Diesel	FWD	1968	103	140	07.09-05.14	■	
2.0 TDI (CFHC)		Diesel	FWD	1968	103	140	07.09-05.14	■	
<b>GOLF VI Variant / JETTA VI (AJ5) 07.09-07.14</b>							<b>Estate (Compact car-C Segment)</b>		
1.2 TSI (CBZA)		Gasolina	FWD	1197	63	86	07.10-07.13	■	
1.2 TSI (CBZB)		Gasolina	FWD	1197	77	105	07.09-07.13	■	
1.4 (BUD)		Gasolina	FWD	1390	59	80	07.09-07.13	■	
1.4 (CGGA)		Gasolina	FWD	1390	59	80	07.09-07.13	■	
1.4 TSI (CAXA)		Gasolina	FWD	1390	90	122	07.09-07.13	■	
1.4 TSI (CAVD)		Gasolina	FWD	1390	118	160	07.09-07.13	■	
1.4 TSI (CNWA)		Gasolina	FWD	1390	118	160	07.09-07.13	■	
1.4 TSI (CTHD)		Gasolina	FWD	1390	118	160	07.09-07.13	■	
1.4 TSI (CTKA)		Gasolina	FWD	1390	118	160	07.09-07.13	■	
1.6 (BSE)		Gasolina	FWD	1595	75	102	07.09-07.13	■	
1.6 (BSF)		Gasolina	FWD	1595	75	102	07.09-07.13	■	
1.6 (CCSA)		Gasolina	FWD	1595	75	102	07.09-07.13	■	
2.0 TFSI (CCZA)		Gasolina	FWD	1984	147	200	07.09-07.13	■	
2.5		Gasolina	FWD	2480	125	170	07.09-	■	
1.6 BiFuel (BSF)		Gasol./Gas (LPG)	FWD	1595	75	102	07.09-12.10	■	
1.6 MultiFuel (CMXA)		Gasol./Etanol	FWD	1595	75	102	07.10-07.13	■	
1.6 TDI (CAYB)		Diesel	FWD	1598	66	90	12.09-07.13	■	
1.6 TDI (CAYC)		Diesel	FWD	1598	77	105	07.09-07.13	■	
1.6 TDI 4motion (CAYC)		Diesel	4WD	1598	77	105	07.09-07.13	■	
2.0 TDI (CLCA)		Diesel	FWD	1968	81	110	01.10-07.13	■	
2.0 TDI (CBDA)		Diesel	FWD	1968	100	136	07.09-07.13	■	
2.0 TDI (CFHB)		Diesel	FWD	1968	100	136	07.09-07.13	■	
2.0 TDI (CBDB)		Diesel	FWD	1968	103	140	07.09-07.13	■	
2.0 TDI (CFHC)		Diesel	FWD	1968	103	140	07.09-07.13	■	
2.0 TDI (CJAA)		Diesel	FWD	1968	103	140	07.09-07.13	■	
<b>GOLF IV Furgoneta (1J1) 10.97-05.04</b>							<b>Hatchback Van (Compact car-C Segment)</b>		
1.9 SDI (AQM)		Diesel	FWD	1896	50	68	11.98-05.04	■	
1.9 TDI (AGR)		Diesel	FWD	1896	66	90	05.00-09.02	■	
1.9 TDI (AHF)		Diesel	FWD	1896	81	110	10.97-05.04	■	
1.9 TDI 4motion (AUY)		Diesel	4WD	1896	85	116	01.00-04.01	■	
<b>GOLF PLUS V (5M1, 521) 12.04-12.13</b>							<b>Hatchback (Compact car-C Segment)</b>		
1.2 TSI (CBZA)		Gasolina	FWD	1197	63	86	05.10-12.13	■	
1.2 TSI (CBZB)		Gasolina	FWD	1197	77	105	11.09-12.13	■	
1.4 16V (BCA)		Gasolina	FWD	1390	55	75	01.05-11.06	■	
1.4 16V (BUD)		Gasolina	FWD	1390	59	80	05.06-12.13	■	
1.4 16V (CGGA)		Gasolina	FWD	1390	59	80	05.06-12.13	■	
1.4 FSI (BLN)		Gasolina	FWD	1390	66	90	07.05-11.06	■	
1.6 (BSE)		Gasolina	FWD	1595	75	102	05.05-12.13	■	
1.6 (BSF)		Gasolina	FWD	1595	75	102	05.05-12.13	■	
1.6 (CCSA)		Gasolina	FWD	1595	75	102	05.05-12.13	■	
1.6 (CMXA)		Gasolina	FWD	1595	75	102	05.05-12.13	■	
1.6 BiFuel (CHGA)		Gasol./Gas (LPG)	FWD	1595	75	102	05.09-12.13	■	
1.6 MultiFuel (CCSA)		Gasol./Etanol	FWD	1595	75	102	11.07-12.13	■	
1.6 MultiFuel (CMXA)		Gasol./Etanol	FWD	1595	75	102	11.07-12.13	■	
1.6 TDI (CAYB)		Diesel	FWD	1598	66	90	02.09-12.13	■	

# LISTA DE APLICACIONES - BUYERS GUIDE

1.9 TDI (BRU)		Diesel	FWD	1896	66	90	05.05-12.08	■
1.9 TDI (BXF)		Diesel	FWD	1896	66	90	05.05-12.08	■
1.9 TDI (BXJ)		Diesel	FWD	1896	66	90	05.05-12.08	■
2.0 TDI (CBDC)		Diesel	FWD	1968	81	110	01.09-12.13	■
2.0 TDI (CLCA)		Diesel	FWD	1968	81	110	01.09-12.13	■
<b>JETTA VI / VENTO (162, 163, AV3, AV2) 01.08-</b>				<b>Saloon (Compact car-C Segment)</b>				
1.2 TSI (CBZB)		Gasolina	FWD	1197	77	105	10.10-12.17	■
1.2 TSI 16V (CYVD)		Gasolina	FWD	1197	77	105	08.14-12.17	■
1.4 TSI (CAXA)		Gasolina	FWD	1390	90	122	05.11-12.17	■
1.4 TSI (CMSB)		Gasolina	FWD	1390	90	122	05.11-12.17	■
1.4 TSI (CAVA)		Gasolina	FWD	1390	110	150	04.11-12.17	■
1.4 TSI (CTHA)		Gasolina	FWD	1390	110	150	04.11-12.17	■
1.4 TSI (CAVD)		Gasolina	FWD	1390	118	160	04.11-12.17	■
1.4 TSI (CTHD)		Gasolina	FWD	1390	118	160	04.11-12.17	■
1.4 TSI (CZCA)		Gasolina	FWD	1395	92	125	08.14-12.17	■
1.4 TSI (CZDA)		Gasolina	FWD	1395	110	150	08.14-12.17	■
1.4 TSI (CZTA)		Gasolina	FWD	1395	110	150	08.14-12.17	■
1.6 (CFNA)		Gasolina	FWD	1598	77	105	12.11-04.18	■
1.6 (CLRA)		Gasolina	FWD	1598	77	105	12.11-04.18	■
1.8 TSI (CPKA)		Gasolina	FWD	1798	125	170	07.14-12.17	■
1.8 TSI (CPRA)		Gasolina	FWD	1798	125	170	07.14-12.17	■
2.0 (CBPA)		Gasolina	FWD	1984	85	115	06.10-12.17	■
2.0 (CKJA)		Gasolina	FWD	1984	85	115	06.10-12.17	■
2.0 TFSI (CBFA)		Gasolina	FWD	1984	147	200	12.10-07.14	■
2.0 TFSI (CCTA)		Gasolina	FWD	1984	147	200	12.10-07.14	■
2.0 TFSI (CCZA)		Gasolina	FWD	1984	147	200	12.10-07.14	■
2.0 TSI (CPLA)		Gasolina	FWD	1984	155	211	12.12-12.17	■
2.0 TSI (CPPA)		Gasolina	FWD	1984	155	211	12.12-12.17	■
2.5 (CBTA)		Gasolina	FWD	2480	125	170	04.10-12.17	■
2.5 (CBUA)		Gasolina	FWD	2480	125	170	04.10-12.17	■
2.5 (CCCA)		Gasolina	FWD	2480	125	170	04.10-12.17	■
1.4 TSI Hybrid (CNLA)		Gasol./el éc.	FWD	1395	125	170	04.11-12.17	■
1.4 TSI Hybrid (CRJA)		Gasol./el éc.	FWD	1395	125	170	04.11-12.17	■
1.6 TDI (CAYC)		Diesel	FWD	1598	77	105	04.10-07.15	■
2.0 TDI (CLCA)		Diesel	FWD	1968	81	110	10.10-12.17	■
2.0 TDI (CUUA)		Diesel	FWD	1968	81	110	10.10-12.17	■
2.0 TDI (CFFB)		Diesel	FWD	1968	103	140	07.10-12.17	■
2.0 TDI (CFHC)		Diesel	FWD	1968	103	140	07.10-12.17	■
2.0 TDI (CJAA)		Diesel	FWD	1968	103	140	07.10-12.17	■
2.0 TDI (CLCB)		Diesel	FWD	1968	103	140	07.10-12.17	■
2.0 TDI (CUUB)		Diesel	FWD	1968	110	150	07.14-12.17	■
2.0 TDI (CVCA)		Diesel	FWD	1968	110	150	07.14-12.17	■
2.0 TDI (DELA)		Diesel	FWD	1968	110	150	07.14-12.17	■
2.0 TDI (DGMA)		Diesel	FWD	1968	110	150	07.14-12.17	■
<b>JETTA VII (BU3, BU4, BU5) 12.17-</b>				<b>Saloon (Compact car-C Segment)</b>				
1.4 TSI (CWLA)	PR 1LV, PR 1ZP, PR 1ZQ	Gasolina	FWD	1395	110	150	12.17-	■
1.4 TSI (CZDA)	PR 1LV, PR 1ZP, PR 1ZQ	Gasolina	FWD	1395	110	150	12.17-	■
1.4 TSI (DGXA)	PR 1LV, PR 1ZP, PR 1ZQ	Gasolina	FWD	1395	110	150	12.17-	■
1.4 TSI (DJXA)	PR 1LV, PR 1ZP, PR 1ZQ	Gasolina	FWD	1395	110	150	12.17-	■
350 TSI	PR 1LV, PR 1ZP, PR 1ZQ	Gasolina	FWD	1984	169	230	12.18-	■

# LISTA DE APLICACIONES - BUYERS GUIDE

250 Tsi	PR 1LV, PR 1ZP, PR 1ZQ	Gasol./Etanol	FWD	1395	110	150	05.18-	■	
<b>LOAD UP (121, 122, BL1, BL2) 12.14-</b>					<b>Hatchback Van (LCVs-N1 Segment)</b>				
1.0 (CHYA)	PR 1LA	Gasolina	FWD	999	44	60	11.12-11.19	■	
1.0 (DAFA)	PR 1LA	Gasolina	FWD	999	44	60	11.12-11.19	■	
1.0 (CHYB)		Gasolina	FWD	999	55	75	05.16-11.19	■	
1.0 TSI (CHZA)		Gasolina	FWD	999	66	90	05.16-09.18	■	
1.0 EcoFuel (CPGA)	PR 1LA	Gasol./Gas (CNG)	FWD	999	50	68	11.12-08.20	■	
e-Load Up (EABA)	PR 1LA	Eléctrico	FWD		60	82	12.14-08.19	■	
<b>NEW BEETLE / BETTLE / NOVO FUSCA (9C1, 1C1) 01.98-12.13</b>					<b>Hatchback (Compact car-C Segment)</b>				
2.0 (AEG)		Gasolina	FWD	1984	85	115	01.98-09.10	■	
2.0 (APK)		Gasolina	FWD	1984	85	115	01.98-09.10	■	
2.0 (AQY)		Gasolina	FWD	1984	85	115	01.98-09.10	■	
2.0 (AVH)		Gasolina	FWD	1984	85	115	01.98-09.10	■	
2.0 (AZG)		Gasolina	FWD	1984	85	115	01.98-09.10	■	
2.0 (AZJ)		Gasolina	FWD	1984	85	115	01.98-09.10	■	
2.0 (BER)		Gasolina	FWD	1984	85	115	01.98-09.10	■	
2.0 (BEV)		Gasolina	FWD	1984	85	115	01.98-09.10	■	
1.9 TDI (ALH)		Diesel	FWD	1896	66	90	01.98-06.04	■	
<b>POLO III CLASSIC / DERBY / FLIGHT (6V2) 01.95-11.09</b>					<b>Saloon (Supermini car-B Segment)</b>				
1.6 (BAH)		Gasolina	FWD	1598	74	101	11.02-07.06	■	
1.6 (CCRA)		Gasolina	FWD	1598	74	101	11.02-07.06	■	
<b>POLO IV (9N_, 9A_) 10.01-10.14</b>					<b>Hatchback (Supermini car-B Segment)</b>				
1.2 (AWY)		Gasolina	FWD	1198	40	54	01.02-05.07	■	
1.2 (BMD)		Gasolina	FWD	1198	40	54	01.02-05.07	■	
1.2 (BBM)		Gasolina	FWD	1198	44	60	05.07-11.09	■	
1.2 12V (AZQ)		Gasolina	FWD	1198	47	64	10.01-07.07	■	
1.2 12V (BME)		Gasolina	FWD	1198	47	64	10.01-07.07	■	
1.2 12V (BZG)		Gasolina	FWD	1198	51	69	05.07-11.09	■	
1.4 16V (AUA)		Gasolina	FWD	1390	55	75	10.01-05.08	■	
1.4 16V (BBY)		Gasolina	FWD	1390	55	75	10.01-05.08	■	
1.4 16V (BKY)		Gasolina	FWD	1390	55	75	10.01-05.08	■	
1.4 16V (BUD)		Gasolina	FWD	1390	59	80	05.06-11.09	■	
1.4 (BLM)	PR 1LQ, PR 1ZF, discØ 256	Gasolina	FWD	1390	61	83	08.02-11.09	■	
1.4 FSI (AXU)		Gasolina	FWD	1390	63	86	02.02-07.06	■	
1.4 16V (AUB)	01/02-	Gasolina	FWD	1390	74	101	10.01-05.08	■	
1.4 16V (BBZ)	01/02-	Gasolina	FWD	1390	74	101	10.01-05.08	■	
1.6 16V (BTS)		Gasolina	FWD	1598	77	105	05.06-11.09	■	
2.0		Gasolina	FWD	1984	85	115	10.04-11.09	■	
1.4 BiFuel (BUD)		Gasol./Gas (LPG)	FWD	1390	60	82	05.06-11.09	■	
1.4 TDI (BNM)		Diesel	FWD	1422	51	70	04.05-11.09	■	
1.4 TDI (BWB)		Diesel	FWD	1422	51	70	04.05-11.09	■	
1.4 TDI (AMF)		Diesel	FWD	1422	55	75	10.01-06.05	■	
1.4 TDI (BAY)		Diesel	FWD	1422	55	75	10.01-06.05	■	
1.4 TDI (BMS)		Diesel	FWD	1422	59	80	04.05-11.09	■	
1.4 TDI (BNV)		Diesel	FWD	1422	59	80	04.05-11.09	■	
1.9 SDI (ASY)	-12/01	Diesel	FWD	1896	47	64	10.01-11.09	■	
1.9 TDI (ATD)	-12/01	Diesel	FWD	1896	74	101	10.01-11.09	■	
1.9 TDI (AXR)	-12/01	Diesel	FWD	1896	74	101	10.01-11.09	■	

# LISTA DE APLICACIONES - BUYERS GUIDE

1.9 TDI (BMT)	-12/01	Diesel	FWD	1896	74	101	10.01-11.09	■	
<b>POLO IV (9N2, 9N4) 09.02-12.10</b>					<b>Saloon (Supermini car-B Segment)</b>				
1.9 TDI (ATD)		Diesel	FWD	1896	74	101	07.03-12.10	■	
<b>POLO IV / DERBY (9A4, 9A2, 9N2, 9A6) 09.02-</b>					<b>Saloon (Supermini car-B Segment)</b>				
1.4 (BBY)		Gasolina	FWD	1390	55	75	11.02-04.12	■	
1.4 (BKY)		Gasolina	FWD	1390	55	75	11.02-04.12	■	
1.4 (BBZ)		Gasolina	FWD	1390	74	101	11.03-06.05	■	
1.6 (BAH)		Gasolina	FWD	1598	74	101	09.02-	■	
1.6 (CCRA)		Gasolina	FWD	1598	74	101	09.02-	■	
1.6 (CFZA)		Gasolina	FWD	1598	74	101	09.02-	■	
1.4 TDI (BAY)		Diesel	FWD	1422	55	75	07.03-06.05	■	
1.9 SDI (ASY)		Diesel	FWD	1896	47	64	09.02-04.12	■	
<b>POLO V (6R1, 6C1) 03.09-</b>					<b>Hatchback Van (Supermini car-B Segment)</b>				
1.0 (CHYA)	PR 1LR, PR 1ZG, PR 1ZJ	Gasolina	FWD	999	44	60	01.14-10.17	■	
1.0 (CHYB)	PR 1LR, PR 1ZG, PR 1ZJ	Gasolina	FWD	999	55	75	01.14-10.17	■	
1.0 TSI (CHZB)	PR 1LR, PR 1ZG, PR 1ZJ	Gasolina	FWD	999	70	95	11.14-10.17	■	
1.2 TSI (CJZC)	PR 1LR, PR 1ZG, PR 1ZJ	Gasolina	FWD	1197	66	90	02.14-10.17	■	
1.2 TSI (CBZC)		Gasolina	FWD	1197	66	90	05.11-05.14	■	
1.2 TSI (CBZB)		Gasolina	FWD	1197	77	105	11.09-05.14	■	
1.2 TSI (CJZD)	PR 1LR, PR 1ZG, PR 1ZJ	Gasolina	FWD	1197	81	110	01.14-10.17	■	
1.2 (CGPB)		Gasolina	FWD	1198	44	60	03.09-05.14	■	
1.2 (CGPA)		Gasolina	FWD	1198	51	69	03.09-05.14	■	
1.4 (CGGB)		Gasolina	FWD	1390	63	86	03.09-05.14	■	
1.4 TSI (CZEA)		Gasolina	FWD	1395	110	150	05.14-10.17	■	
1.2 TDI (CFWA)		Diesel	FWD	1199	55	75	10.09-05.14	■	
1.4 TDI (CUSA)	PR 1LR, PR 1ZG, PR 1ZJ	Diesel	FWD	1422	55	75	03.14-10.17	■	
1.4 TDI (CYZB)	PR 1LR, PR 1ZG, PR 1ZJ	Diesel	FWD	1422	55	75	03.14-10.17	■	
1.4 TDI (CUSB)	PR 1LR, PR 1ZG, PR 1ZJ	Diesel	FWD	1422	66	90	02.14-10.17	■	
1.6 TDI (CAYA)		Diesel	FWD	1598	55	75	06.09-05.14	■	
1.6 TDI (CAYB)		Diesel	FWD	1598	66	90	06.09-05.14	■	
1.6 TDI (CAYC)		Diesel	FWD	1598	77	105	06.09-05.14	■	
<b>POLO V (6R1, 6C1) 03.09-</b>					<b>Hatchback (Supermini car-B Segment)</b>				
1.0 (CHYA)	PR 1LR, PR 1ZG, PR 1ZJ	Gasolina	FWD	999	44	60	01.14-10.17	■	
1.0 (CHYB)	PR 1LR, PR 1ZG, PR 1ZJ	Gasolina	FWD	999	55	75	01.14-10.17	■	
1.0 TSI (CHZB)	PR 1LR, PR 1ZG, PR 1ZJ	Gasolina	FWD	999	70	95	11.14-10.17	■	
1.0 TSI (CHZC)	PR 1LR, PR 1ZG, PR 1ZJ	Gasolina	FWD	999	81	110	11.14-10.17	■	
1.2 TSI	PR 1LR, PR 1ZG, PR 1ZJ	Gasolina	FWD	1197	63	86	06.09-	■	
1.2 TSI (CBZC)	PR 1LR, PR 1ZG, PR 1ZJ	Gasolina	FWD	1197	66	90	05.11-05.14	■	
1.2 TSI 16V (CJZC)		Gasolina	FWD	1197	66	90	02.14-10.17	■	
1.2 TSI (CBZB)	PR 1LR, PR 1ZG, PR 1ZJ	Gasolina	FWD	1197	77	105	11.09-05.22	■	
1.2 TSI (CJZD)	PR 1LR, PR 1ZG, PR 1ZJ	Gasolina	FWD	1197	81	110	01.14-10.17	■	
1.2 (CGPB)	PR 1LR, PR 1ZG, PR 1ZJ	Gasolina	FWD	1198	44	60	06.09-05.14	■	
1.2 (CGPA)	PR 1LR, PR 1ZG, PR 1ZJ	Gasolina	FWD	1198	51	70	06.09-05.14	■	
1.2	PR 1LR, PR 1ZG, PR 1ZJ	Gasolina	FWD	1198	55	75	08.11-02.18	■	
1.4 (6R1) (CDDA)	PR 1LR, PR 1ZG, PR 1ZJ	Gasolina	FWD	1390	63	85	03.09-05.14	■	
1.4 (6R1) (CGGB)	PR 1LR, PR 1ZG, PR 1ZJ	Gasolina	FWD	1390	63	85	03.09-05.14	■	
1.4 (6R1) (CLPA)	PR 1LR, PR 1ZG, PR 1ZJ	Gasolina	FWD	1390	63	85	03.09-05.14	■	
1.4 TSI (CPTA)		Gasolina	FWD	1395	103	140	10.12-05.14	■	
1.4 TSI (CZEA)		Gasolina	FWD	1395	110	150	05.14-10.17	■	

# LISTA DE APLICACIONES - BUYERS GUIDE

1.6	PR 1LR, PR 1ZG, PR 1ZJ	Gasolina	FWD	1598	63	86	05.10-	■
1.6 (CWVB)	PR 1LR, PR 1ZG, PR 1ZJ	Gasolina	FWD	1598	66	90	07.14-10.17	■
1.6 (CWVA)	PR 1LR, PR 1ZG, PR 1ZJ	Gasolina	FWD	1598	81	110	07.14-10.17	■
1.8 GTI	PR 1LR, PR 1ZG, PR 1ZJ	Gasolina	FWD	1798	136	185	11.14-	■
1.8 GTI (DAJA)	PR 1LR, PR 1ZG, PR 1ZJ	Gasolina	FWD	1798	141	192	11.14-10.17	■
1.8 GTI (DAJB)	PR 1LR, PR 1ZG, PR 1ZJ	Gasolina	FWD	1798	141	192	11.14-10.17	■
1.8 GTI 230 (DAJA)	PR 1LR, PR 1ZG, PR 1ZJ	Gasolina	FWD	1798	169	230	04.16-10.17	■
1.4 BiFuel (CMAA)	PR 1LR, PR 1ZG, PR 1ZJ	Gasol./Gas (LPG)	FWD	1390	60	82	03.10-01.11	■
1.6 BiFuel (CNKA)	PR 1LR, PR 1ZG, PR 1ZJ	Gasol./Gas (LPG)	FWD	1598	60	82	01.11-05.14	■
1.2 TDI (CFWA)	PR 1LR, PR 1ZG, PR 1ZJ	Diesel	FWD	1199	55	75	10.09-05.14	■
1.4 TDI (CUSA)	PR 1LR, PR 1ZG, PR 1ZJ	Diesel	FWD	1422	55	75	03.14-10.17	■
1.4 TDI (CYZB)	PR 1LR, PR 1ZG, PR 1ZJ	Diesel	FWD	1422	55	75	03.14-10.17	■
1.4 TDI (CUSB)	PR 1LR, PR 1ZG, PR 1ZJ	Diesel	FWD	1422	66	90	02.14-10.17	■
1.4 TDI (CUTA)	PR 1LR, PR 1ZG, PR 1ZJ	Diesel	FWD	1422	77	105	05.14-10.17	■
1.4 TDI (CYZA)	PR 1LR, PR 1ZG, PR 1ZJ	Diesel	FWD	1422	77	105	05.14-10.17	■
1.5 TDI	PR 1LR, PR 1ZG, PR 1ZJ	Diesel	RWD	1498	66	90	07.14-	■
1.6 TDI (CAYA)	PR 1LR, PR 1ZG, PR 1ZJ	Diesel	FWD	1598	55	75	06.09-05.14	■
1.6 TDI (CAYB)	PR 1LR, PR 1ZG, PR 1ZJ	Diesel	FWD	1598	66	90	06.09-05.14	■
1.6 TDI (CAYC)		Diesel	FWD	1598	77	105	06.09-08.15	■
1.6 TDI (CLNA)		Diesel	FWD	1598	77	105	06.09-08.15	■
<b>POLO V / VENTO (602, 604, 612, 614) 05.09-</b>				<b>Saloon (Supermini car-B Segment)</b>				
1.6 (CFNB)		Gasolina	FWD	1598	63	86	11.10-05.15	■
1.6 (CFNA)		Gasolina	FWD	1598	77	105	05.10-05.22	■
1.6 (CLSA)		Gasolina	FWD	1598	77	105	05.10-05.22	■
<b>POLO V VIVO (6S1, 6S3) 02.10-</b>				<b>Hatchback (Supermini car-B Segment)</b>				
1.4	PR 1LR, PR 1ZG, PR 1ZJ	Gasolina	FWD	1390	55	75	03.10-03.19	■
<b>POLO VI (AW1, BZ1, AE1) 06.17-</b>				<b>Hatchback (Supermini car-B Segment)</b>				
1.0 (CHYC)	PR 1ZG, PR 1ZJ, discØ 256	Gasolina	FWD	999	48	65	08.17-02.20	■
1.0 (DFNB)	PR 1ZG, PR 1ZJ, discØ 256	Gasolina	FWD	999	48	65	08.17-02.20	■
1.0 (CHYB)	PR 1ZG, PR 1ZJ, discØ 256	Gasolina	FWD	999	55	75	06.17-08.21	■
1.0 MPi (DFNA)		Gasolina	FWD	999	59	80	09.18-	■
1.0 MPi (DSGB)		Gasolina	FWD	999	59	80	09.18-	■
1.0 TSI (CHZL)	PR 1ZG, PR 1ZJ, discØ 256	Gasolina	FWD	999	70	95	06.17-	■
1.0 TSI (DKLA)	PR 1ZG, PR 1ZJ, discØ 256	Gasolina	FWD	999	70	95	06.17-	■
1.0 TSI (CHZJ)	PR 1ZG, PR 1ZJ, discØ 256	Gasolina	FWD	999	85	116	09.17-	■
1.0 TSI (DKJA)	PR 1ZG, PR 1ZJ, discØ 256	Gasolina	FWD	999	85	116	09.17-	■
1.0 TSI (DKRF)	PR 1ZG, PR 1ZJ, discØ 256	Gasolina	FWD	999	85	116	09.17-	■
1.0 TGI (DBYA)	PR 1ZG, PR 1ZJ, discØ 256	Gasol./Gas (CNG)	FWD	999	66	90	09.17-	■
1.6 TDI (DGTC)	PR 1ZG, PR 1ZJ, discØ 256	Diesel	FWD	1598	59	80	11.17-07.19	■
1.6 TDI (DGTD)	PR 1ZG, PR 1ZJ, discØ 256	Diesel	FWD	1598	70	95	11.17-02.21	■
<b>SPACEFOX-SPACE CROSS / SURAN (5Z6, 5Z7, 5Z9) 03.06-</b>				<b>Estate (Mini MPV-M1 Segment)</b>				
1.6		Gasolina	FWD	1598	74	101	03.06-	■
1.6		Gasolina	FWD	1598	74	101	07.10-	■
1.6 TotalFlex		Gasolina	FWD	1598	74	101	03.06-	■
1.9 SDI		Diesel	RWD	1896	47	64	09.07-	■
<b>UP! (121, 122, BL1, BL2, BL3, 123) 08.11-</b>				<b>Hatchback (City car-A Segment)</b>				
1.0 (CHYA)	PR 1LA	Gasolina	FWD	999	44	60	08.11-08.20	■

## LISTA DE APLICACIONES - BUYERS GUIDE

1.0 (CHYE)	PR 1LA	Gasolina	FWD	999	44	60	08.11-08.20	■	
1.0 (DAFA)	PR 1LA	Gasolina	FWD	999	44	60	08.11-08.20	■	
1.0 (DSGC)	PR 1LA, PR 1ZQ, discØ 261	Gasolina	FWD	999	48	65	08.20-11.23	■	
1.0 (CHYB)	PR 1LA	Gasolina	FWD	999	55	75	08.11-11.19	■	
1.0 (CWRA)	PR 1LA	Gasolina	FWD	999	55	75	08.11-11.19	■	
1.0	PR 1LA	Gasolina	FWD	999	56	75	01.14-	■	
1.0 TSI (CHZA)	PR 1LA	Gasolina	FWD	999	66	90	05.16-08.19	■	
1.0 TSI (DKLC)	PR 1LA	Gasolina	FWD	999	66	90	05.16-08.19	■	
1.0 GTI (DKRA)	PR 1LA	Gasolina	FWD	999	85	115	11.17-11.23	■	
1.0 EcoFuel (CPGA)	PR 1LA	Gasol./Gas (CNG)	FWD	999	50	68	11.12-11.23	■	
e-Up (EABA)	PR 1LA, PR 1ZQ	Eléctrico	FWD		60	82	07.13-08.19	■	
e-Up (EBMA)		Eléctrico	FWD		61	83	08.19-	■	
<b>VENTO / JETTA VII (602, 604) 01.10-</b>					<b>Saloon (Compact car-C Segment)</b>				
1.6	PR 1ZG	Gasolina	FWD	1598	77	105	07.10-	■	
1.6 TDI	PR 1ZG	Diesel	RWD	1598	77	105	09.13-	■	
<b>VW (FAW)</b>									
<b>SAGITAR III (0J3, 0J4) 03.19-</b>					<b>Saloon (Compact car-C Segment)</b>				
200TSi	PR 1LV, PR 1ZP, PR 1ZQ	Gasolina	FWD	1197	85	116	03.19-	■	
280TSi	PR 1LV, PR 1ZP, PR 1ZQ	Gasolina	FWD	1395	110	150	03.19-	■	
<b>VW (SVW)</b>									
<b>POLO PLUS III (C31) 06.19-</b>					<b>Hatchback (Supermini car-B Segment)</b>				
1.5	PR 1LF	Gasolina	FWD	1498	83	113	06.19-	■	