

LISTA DE APLICACIONES - BUYERS GUIDE

181339

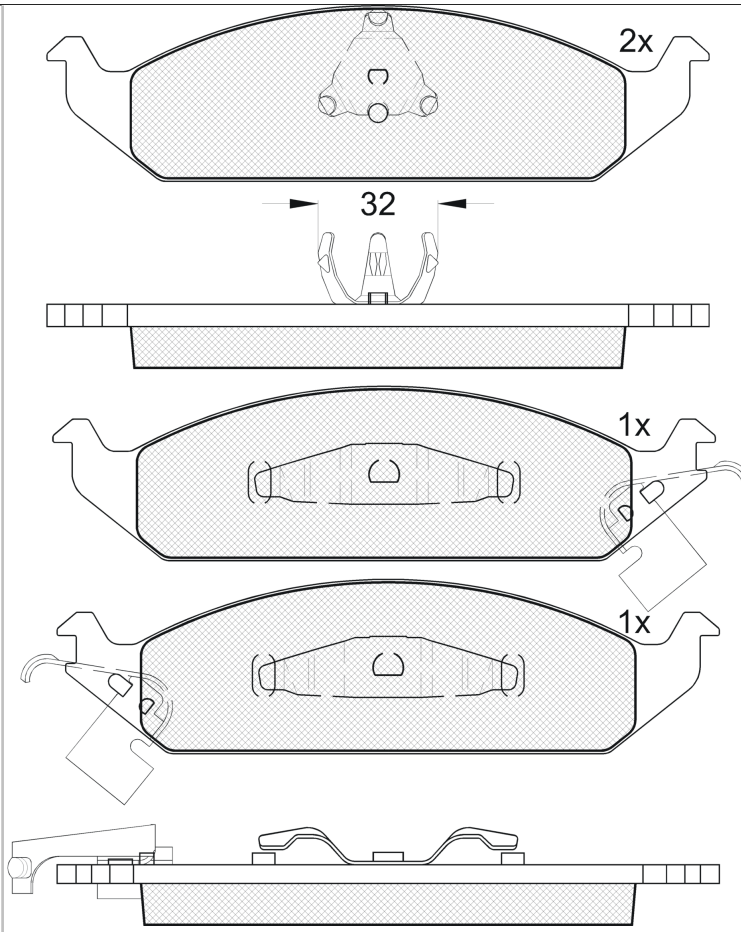


8 424073 082404

Qty: 300

Weight: 1.706

| O.E.M. | MAKE |
|------------|----------|
| 05016227AA | DODGE |
| 4728240 | CHRYSLER |
| 4798885 | DODGE |
| 4856926 | CHRYSLER |
| 4874548 | CHRYSLER |
| 4882070 | CHRYSLER |
| 4897746 AA | CHRYSLER |
| 5016164AA | CHRYSLER |
| 5016227AA | CHRYSLER |
| 5016228AA | CHRYSLER |



181339



Bendix

176.75x46.87x16
176.8x46.53x16

| WVA | FMSI |
|-------|------------|
| 23318 | D650-7530A |
| 23319 | |
| 23320 | |

| MAKE |
|----------|
| CHRYSLER |
| DODGE |



| Trac. | CC | Kw | CV |
|-------|----|----|----|
| | | | |



Front / Rear

CHRYSLER

| CIRRUS 09.00- | | | | | | | Saloon (Compact executive car-D Segment) | | | |
|--------------------------|--------|----------|-----|------|-----|-----|--|---|---|--|
| 2.0 | -12/02 | Gasolina | FWD | 1996 | 104 | 141 | 09.00-04.07 | ■ | ■ | |
| 2.4 | -12/02 | Gasolina | FWD | 2429 | 112 | 152 | 09.00-04.07 | ■ | ■ | |
| CIRRUS 05.94-09.00 | | | | | | | Saloon (Large family car-D Segment) | | | |
| 2.0 LX (ECB) | | Gasolina | FWD | 1996 | 96 | 131 | 05.94-09.97 | ■ | ■ | |
| 2.0 LX (ECB) | | Gasolina | FWD | 1996 | 98 | 133 | 10.97-09.00 | ■ | ■ | |
| 2.4 LX (EDZ) | | Gasolina | FWD | 2429 | 103 | 140 | 05.94-09.00 | ■ | ■ | |
| 2.5 LX (EEB) | | Gasolina | FWD | 2497 | 120 | 163 | 10.94-09.00 | ■ | ■ | |
| SEBRING (FJ) 01.95-12.00 | | | | | | | Saloon (Executive car-E Segment) | | | |
| 2.0 (ECB) | | Gasolina | FWD | 1996 | 96 | 131 | 05.95-09.00 | ■ | ■ | |
| STRATUS (JX) 04.96-04.01 | | | | | | | Convertible (Large family car-D Segment) | | | |
| 2.0 LE (420X) | | Gasolina | FWD | 1996 | 96 | 131 | 06.96-04.01 | ■ | ■ | |
| 2.5 LX (625H) | | Gasolina | FWD | 2499 | 120 | 163 | 04.96-04.01 | ■ | ■ | |
| STRATUS (JA) 09.94-04.01 | | | | | | | Saloon (Large family car-D Segment) | | | |
| 2.0 LE (C00) | | Gasolina | FWD | 1996 | 96 | 131 | 12.95-04.01 | ■ | ■ | |
| 2.0 16V (ECB) | | Gasolina | FWD | 1996 | 98 | 133 | 12.95-04.01 | ■ | ■ | |
| 2.4 16V (EDZ) | | Gasolina | FWD | 2429 | 103 | 140 | 12.95-04.01 | ■ | ■ | |
| 2.4 16V (EDZ) | | Gasolina | FWD | 2429 | 112 | 152 | 12.95-04.01 | ■ | ■ | |
| 2.5 LX V6 (EEB) | | Gasolina | FWD | 2497 | 120 | 163 | 12.95-04.01 | ■ | ■ | |
| 2.5 LX V6 (H00) | | Gasolina | FWD | 2497 | 120 | 163 | 12.95-04.01 | ■ | ■ | |
| 2.5 V6 (H00) | | Gasolina | FWD | 2497 | 125 | 170 | 12.95-04.01 | ■ | ■ | |

DODGE

LISTA DE APLICACIONES - BUYERS GUIDE

| AVENGER (U.S.A.) 09.94-12.00 | | | | | Coupe (Sports car-S Segment) | | | |
|-------------------------------------|----------|-----|------|-----|--|-------------|---|--|
| 2.5 (EEB) | Gasolina | FWD | 2497 | 122 | 166 | 09.94-12.00 | ■ | |
| STRATUS 09.94-04.01 | | | | | Saloon (Large family car-D Segment) | | | |
| 2.0 16V (ECB) | Gasolina | FWD | 1996 | 98 | 133 | 12.95-04.01 | ■ | |
| 2.4 16V (EDZ) | Gasolina | FWD | 2429 | 103 | 140 | 12.95-04.01 | ■ | |
| 2.4 16V (EDZ) | Gasolina | FWD | 2429 | 112 | 152 | 12.95-04.01 | ■ | |
| 2.5 V6 (EEB) | Gasolina | FWD | 2497 | 125 | 170 | 12.95-04.01 | ■ | |