

LISTA DE APLICACIONES - BUYERS GUIDE

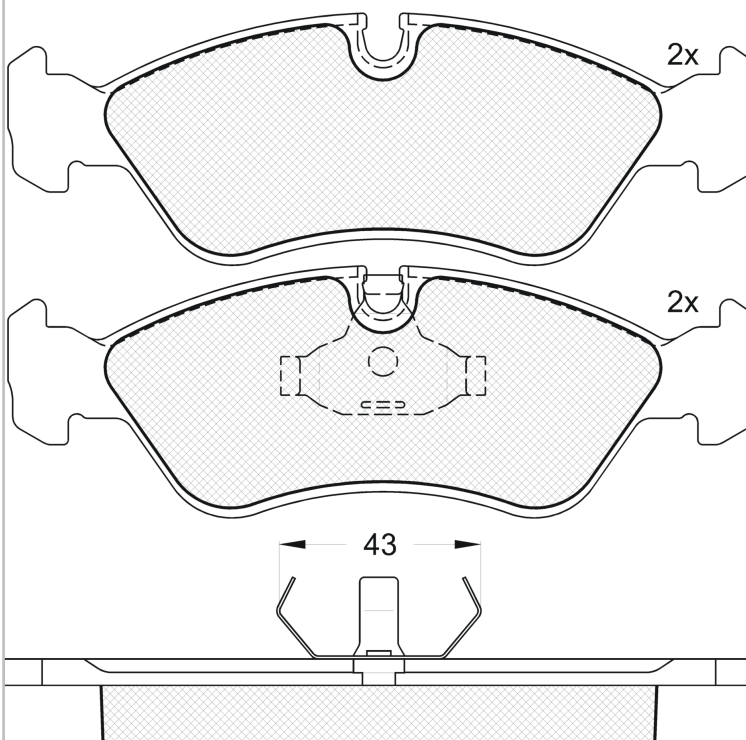
181366



Qty: 300

Weight: 1.440

O.E.M.	MAKE
1104 6152	DAEWOO
1104 6152 XX2	DAEWOO
1104 6952 012	DAEWOO
9628 1939	DAEWOO



181366

E1 90R-01101/178



Ate - Teves

156.5x52.6x17.5

WVA	FMSI
21190	D796-7666
21201	
MAKE	
DAEWOO	



Trac.	CC	Kw	CV		
					Front / Rear

DAEWOO

Model						Segment			
ARANOS 01.95-11.97						Saloon (Executive car-E Segment)			
1.5 (V15L)		Gasolina	FWD	1498	66	90	01.95-11.97	■	
1.8 (Y18L)		Gasolina	FWD	1796	70	95	01.95-11.97	■	
2.0 (C20LE)		Gasolina	FWD	1998	77	105	01.95-11.97	■	
CIELO 06.94-12.07						Saloon (Supermini car-B Segment)			
1.5 (Y15L)		Gasolina	FWD	1498	55	75	04.95-12.02	■	
1.5 (V15L)		Gasolina	FWD	1498	66	90	06.94-07.98	■	
CIELO LOAD RUNNER 02.96-08.97						Hatchback Van (LCVs-N1 Segment)			
1.5		Gasolina	FWD	1498	55	75	02.96-08.97	■	
ESPERO (KLEJ) 10.91-09.99						Saloon (Executive car-E Segment)			
1.5		Gasolina	FWD	1498	55	75	10.97-09.99	■	
1.5 16V (A15MF)		Gasolina	FWD	1498	65	88	10.93-09.94	■	
1.5 16V (A15MF)		Gasolina	FWD	1498	66	90	02.95-06.99	■	
1.8 (C18LE)		Gasolina	FWD	1796	66	90	02.95-09.99	■	
1.8 (C18LE)		Gasolina	FWD	1796	70	95	02.95-06.99	■	
2.0 (C20LZ)		Gasolina	FWD	1998	74	101	10.91-09.93	■	
2.0 (C20LE)		Gasolina	FWD	1998	77	105	02.95-06.99	■	
2.0 (C20LE)		Gasolina	FWD	1998	81	110	10.93-12.97	■	
LANOS (KLAT) 02.97-						Saloon (Supermini car-B Segment)			
1.6 16V (L44(98CUL4))	-12/99	Gasolina	FWD	1598	78	106	02.97-	■	
LANOS / SENS (KLAT) 04.97-						Hatchback (Supermini car-B Segment)			
1.6 16V (L44(98CUL4))	-12/99	Gasolina	FWD	1598	78	106	05.97-	■	

LISTA DE APLICACIONES - BUYERS GUIDE

					Hatchback (Supermini car-B Segment)				
NEXIA / CIELO 02.95-08.97									
1.5 16V (08, 68) (A15MF)		Gasolina	FWD	1498	66	90	02.95-08.97	■	
NEXIA / CIELO 02.95-06.08					Saloon (Supermini car-B Segment)				
1.5 16V (19) (A15MF)		Gasolina	FWD	1498	66	90	02.95-08.97	■	
PRINCE (J19) 08.90-08.99					Saloon (Executive car-E Segment)				
1.8 (C18LE)		Gasolina	RWD	1796	76	103	08.93-08.98	■	