

LISTA DE APLICACIONES - BUYERS GUIDE

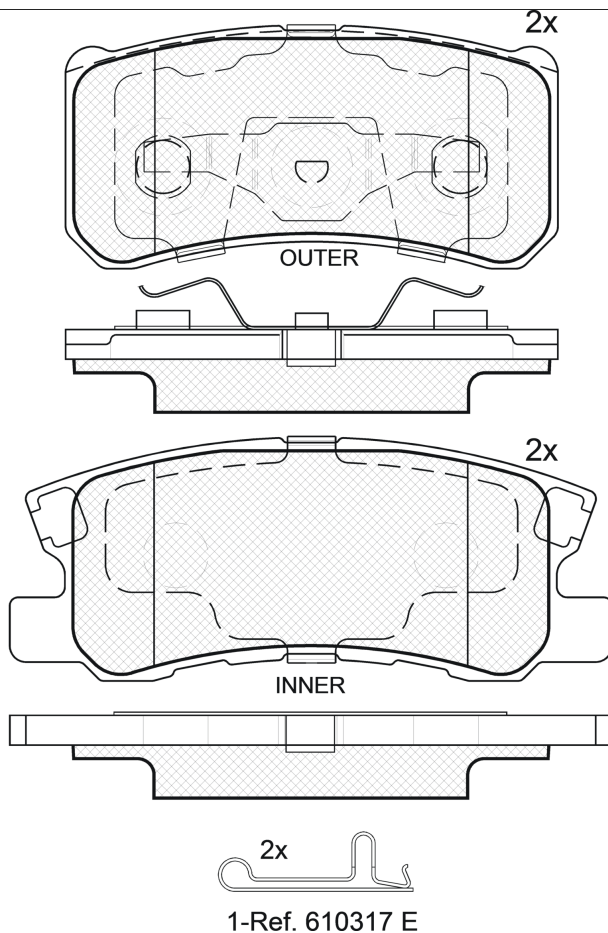
181375-202



Qty: 944

Weight: 980

| O.E.M. | MAKE |
|---------------|------------|
| 2AMV-4271-AA | JEEP |
| 2AMV-4671-AA | JEEP |
| 46 05A 487 | MITSUBISHI |
| 46 05A 502 | MITSUBISHI |
| 68020256AA | CHRYSLER |
| 68028671AA | CHRYSLER |
| 68033078AA | DODGE |
| K6802-0256-AA | LANCIA |
| K6802-0262-AA | LANCIA |
| K6802-8671-AA | LANCIA |
| MN 116 286 | MITSUBISHI |
| MZ 690 574 | MITSUBISHI |
| MZ 690 595 | MITSUBISHI |
| V2011271AA | JEEP |
| V2011271AB | JEEP |



181375-202

E 9 90R-01110/3278



Akebono

91.1x45x15.9

111.4x45x15.9

| WVA | FMSI |
|-------|------------|
| 23582 | D1343-7743 |
| 23583 | |
| 25994 | |
| 25995 | |
| 25996 | |

| MAKE |
|------------|
| CHRYSLER |
| CITROËN |
| DODGE |
| FIAT |
| HYUNDAI |
| JEEP |
| LANCIA |
| MITSUBISHI |
| PEUGEOT |



| | | | | | |
|-------|----|----|----|--|--------------|
| Trac. | CC | Kw | CV | | Front / Rear |
|-------|----|----|----|--|--------------|

CHRYSLER

| | | | | | | | Convertible (Executive car-E Segment) | | | |
|--|---------------------------------------|--------------------------|----------|------|------|-----|---------------------------------------|-------------|---|--|
| 200 01.10- | 2.4 (ED3) | Eq.V_ BRG, BR1, BR3, BRF | Gasolina | FWD | 2360 | 129 | 175 | 01.11-12.14 | ■ | |
| 2.4 (EDG) | Eq.V_ BRG, BR1, BR3, BRF | Gasolina | FWD | 2360 | 129 | 175 | 01.11-12.14 | ■ | | |
| 3.6 (ERB) | BRF,BRG, BR1,BR3 | Gasolina | FWD | 3604 | 211 | 287 | 09.11-12.12 | ■ | | |
| 3.6 Flexfuel | BRF,BRG, BR1,BR3 | Gasol./Etanol | FWD | 3604 | 211 | 287 | 09.10- | ■ | | |
| 200 01.10- | Saloon (Executive car-E Segment) | | | | | | | | | |
| 2.4 (ED3) | Eq.V_ BRG, BR1, BR3, BRF | Gasolina | FWD | 2360 | 129 | 175 | 01.11-12.15 | ■ | | |
| 2.4 (EDG) | Eq.V_ BRG, BR1, BR3, BRF | Gasolina | FWD | 2360 | 129 | 175 | 01.11-12.15 | ■ | | |
| 3.6 Flexfuel | BRF,BRG, BR1,BR3 | Gasol./Etanol | FWD | 3604 | 211 | 287 | 09.10- | ■ | | |
| 200 II 06.14- | Saloon (Executive car-E Segment) | | | | | | | | | |
| 2.4 (EDG) | | Gasolina | FWD | 2360 | 129 | 175 | 07.14- | ■ | | |
| SEBRING III / CIRRUS (JS) 05.07-12.10 | Convertible (Executive car-E Segment) | | | | | | | | | |
| 2.4 VVT (ED3) | vehicles with ABS | Gasolina | FWD | 2360 | 125 | 170 | 07.07-12.10 | ■ | | |
| 2.4 (EDG) | | Gasolina | FWD | 2360 | 128 | 174 | 05.07-12.10 | ■ | | |
| 2.7 (EER) | | Gasolina | FWD | 2736 | 137 | 186 | 07.07-12.10 | ■ | | |
| 2.7 VVT (EER) | vehicles with ABS | Gasolina | FWD | 2736 | 141 | 192 | 07.07-12.10 | ■ | | |
| 3.5 (EGG) | vehicles with ABS | Gasolina | FWD | 3518 | 175 | 238 | 05.07-12.10 | ■ | | |
| 3.5 AWD | vehicles with ABS | Gasolina | FWD | 3518 | 175 | 238 | 09.07-12.08 | ■ | | |
| 2.7 Flexfuel (EER) | vehicles with ABS | Gasol./Etanol | FWD | 2736 | 137 | 186 | 05.07-09.10 | ■ | | |
| 2.0 CRD (ECD) | vehicles with ABS | Diesel | FWD | 1968 | 103 | 140 | 07.07-12.10 | ■ | | |

LISTA DE APLICACIONES - BUYERS GUIDE

| SEBRING III / CIRRUS (JS) 09.06-12.10 | | | | | | Saloon (Executive car-E Segment) | | | |
|---|------------------------------|----------|-----|------|-----|---|-------------|---|--|
| 2.0 VVT (ECN) | vehicles with ABS, Eq.V_ BRG | Gasolina | FWD | 1998 | 115 | 156 | 07.07-12.10 | ■ | |
| 2.4 VVT (ED3) | vehicles with ABS, Eq.V_ BRG | Gasolina | FWD | 2360 | 125 | 170 | 07.07-12.10 | ■ | |
| 2.4 VVT (EDG) | vehicles with ABS, Eq.V_ BRG | Gasolina | FWD | 2360 | 125 | 170 | 07.07-12.10 | ■ | |
| 2.4 (EDG) | vehicles with ABS | Gasolina | FWD | 2360 | 128 | 174 | 09.06-12.10 | ■ | |
| 2.4 AWD | vehicles with ABS, Eq.V_ BRG | Gasolina | FWD | 2360 | 128 | 174 | 09.07-12.08 | ■ | |
| 2.4 LX | 01/07- | Gasolina | FWD | 2395 | 110 | 150 | 09.06- | ■ | |
| 2.4 LX | 01/08- | Gasolina | FWD | 2395 | 110 | 150 | 09.06- | ■ | |
| 2.7 Flexfuel | vehicles with ABS | Gasolina | FWD | 2736 | 137 | 186 | 01.07-12.10 | ■ | |
| 2.7 VVT (EER) | vehicles with ABS, Eq.V_ BRG | Gasolina | FWD | 2736 | 137 | 186 | 07.07-09.10 | ■ | |
| 2.7 (EER) | vehicles with ABS | Gasolina | FWD | 2736 | 138 | 188 | 07.07-12.10 | ■ | |
| 2.7 | vehicles with ABS | Gasolina | FWD | 2736 | 139 | 189 | 09.07-12.10 | ■ | |
| 2.7 Flexfuel | vehicles with ABS | Gasolina | FWD | 2736 | 139 | 189 | 09.07-12.10 | ■ | |
| 2.7 Flexfuel | vehicles with ABS | Gasolina | FWD | 2736 | 141 | 192 | 09.06-12.07 | ■ | |
| 2.7 VVT (EER) | vehicles with ABS, Eq.V_ BRG | Gasolina | FWD | 2736 | 141 | 192 | 09.06-12.10 | ■ | |
| 3.5 (EGF) | vehicles with ABS | Gasolina | FWD | 3518 | 175 | 238 | 09.06-12.08 | ■ | |
| 3.5 AWD | vehicles with ABS, Eq.V_ BRG | Gasolina | 4WD | 3518 | 175 | 238 | 11.07-12.10 | ■ | |
| 2.0 CRD (ECD) | vehicles with ABS, Eq.V_ BRG | Diesel | FWD | 1968 | 103 | 140 | 07.07-12.10 | ■ | |
| CITROËN | | | | | | | | | |
| C4 AIRCROSS 08.10- | | | | | | SUV (Mini SUV-J Segment) | | | |
| 1.5 Flex | -10/12, -Org. 13114 | Gasolina | FWD | 1449 | 68 | 93 | 11.15- | ■ | |
| 1.6 Flex | -10/12, -Org. 13114 | Gasolina | FWD | 1587 | 81 | 110 | 08.10- | ■ | |
| 1.6 | | Gasolina | FWD | 1587 | 85 | 115 | 07.12- | ■ | |
| 1.6 (4A92) | -10/12, -Org. 13114 | Gasolina | FWD | 1590 | 86 | 117 | 04.12- | ■ | |
| 1.6 (NKZ (4A92)) | -10/12, -Org. 13114 | Gasolina | FWD | 1590 | 86 | 117 | 04.12- | ■ | |
| 1.6 Flex | -10/12, -Org. 13114 | Gasolina | FWD | 1590 | 90 | 122 | 07.12- | ■ | |
| 2.0 | -Org. 13114, -10/12 | Gasolina | FWD | 1998 | 110 | 150 | 04.12- | ■ | |
| 2.0 AWC | -Org. 13114, -10/12 | Gasolina | 4WD | 1998 | 110 | 150 | 04.12- | ■ | |
| 1.6 HDi 115 (9HD (DV6C)) | -Org. 13114, -10/12 | Diesel | FWD | 1560 | 84 | 114 | 04.12- | ■ | |
| 1.6 HDi 115 AWC (9HL (DV6C)) | -Org. 13114, -10/12 | Diesel | 4WD | 1560 | 84 | 114 | 05.12- | ■ | |
| 1.8 HDi 150 (4N13) | -Org. 13114, -10/12 | Diesel | FWD | 1798 | 110 | 150 | 04.12- | ■ | |
| 1.8 HDi 150 AWC (4N13) | -Org. 13114, 10/12- | Diesel | 4WD | 1798 | 110 | 150 | 04.12- | ■ | |
| C-CROSSER (VU_) 02.07-12.12 | | | | | | SUV Van (Compact SUV-J Segment) | | | |
| 2.2 HDi (VU4HNNH) | | Diesel | 4WD | 2179 | 115 | 156 | 06.07-12.12 | ■ | |
| C-CROSSER (VU_, VV_) 02.07- | | | | | | SUV (Compact SUV-J Segment) | | | |
| 2.0 (4B11) | | Gasolina | FWD | 1998 | 108 | 147 | 11.10-12.12 | ■ | |
| 2.0 Alas 4 ruedas (4B11) | | Gasolina | 4WD | 1998 | 108 | 147 | 11.10-12.12 | ■ | |
| 2.4 16V (SFZ (4B12 MMC)) | | Gasolina | 4WD | 2360 | 125 | 170 | 08.08-12.12 | ■ | |
| 2.0 HDi 140 | 01/07- | Diesel | RWD | 1995 | 98 | 134 | 02.07- | ■ | |
| 2.2 HDi (4HK (DW12ME5)) | | Diesel | 4WD | 2179 | 115 | 156 | 02.07-12.12 | ■ | |
| 2.2 HDi (4HN (DW12MTED4)) | | Diesel | 4WD | 2179 | 115 | 156 | 02.07-12.12 | ■ | |
| C-CROSSER ENTERPRISE (VU_, VV_) 01.09- | | | | | | SUV Van (Compact SUV-J Segment) | | | |
| 2.4 16V (4B12) | | Gasolina | 4WD | 2360 | 125 | 170 | 01.09- | ■ | |
| 2.2 HDi (4HN (DW12MTED4)) | | Diesel | 4WD | 2179 | 115 | 156 | 01.09- | ■ | |
| DODGE | | | | | | | | | |
| AVENGER II 06.07- | | | | | | Saloon (Sports car-S Segment) | | | |
| 2.0 (ECN) | vehicles with ABS, discØ 302 | Gasolina | FWD | 1998 | 115 | 156 | 06.07-12.11 | ■ | |
| 2.4 (EDG) | vehicles with ABS, discØ 302 | Gasolina | FWD | 2360 | 125 | 170 | 06.07-12.14 | ■ | |
| 2.4 (ED3) | vehicles with ABS, discØ 302 | Gasolina | FWD | 2360 | 129 | 175 | 06.07-12.14 | ■ | |

LISTA DE APLICACIONES - BUYERS GUIDE

| | | | | | | | | | |
|--|----------------------------------|---------------|-----|------|-----|-----|--|---|--|
| 2.4 (EDG) | vehicles with ABS, discØ 302 | Gasolina | FWD | 2360 | 129 | 175 | 06.07-12.14 | ■ | |
| 2.7 (EER) | vehicles with ABS, discØ 302 | Gasolina | FWD | 2736 | 137 | 186 | 06.07-12.11 | ■ | |
| 2.7 Flex-Fuel | vehicles with ABS | Gasolina | FWD | 2736 | 141 | 192 | 06.07-12.10 | ■ | |
| 2.7 | vehicles with ABS | Gasolina | FWD | 2736 | 142 | 193 | 09.07-12.09 | ■ | |
| 3.5 (EGF) | vehicles with ABS | Gasolina | FWD | 3518 | 175 | 238 | 06.07-12.09 | ■ | |
| 3.5 AWD (EGF) | vehicles with ABS | Gasolina | 4WD | 3518 | 175 | 238 | 06.07-12.11 | ■ | |
| 3.5 AWD (EGJ) | vehicles with ABS | Gasolina | 4WD | 3518 | 175 | 238 | 06.07-12.11 | ■ | |
| 2.7 Flex-Fuel (EER) | vehicles with ABS, discØ 302 | Gasol./Etanol | FWD | 2736 | 139 | 189 | 06.07-12.09 | ■ | |
| 2.0 CRD (ECD) | vehicles with ABS, discØ 302 | Diesel | FWD | 1968 | 103 | 140 | 06.07-12.11 | ■ | |
| CALIBER 06.06- | | | | | | | Hatchback (Compact car-C Segment) | | |
| 1.8 (EBA) | Eq.V_ BR1 | Gasolina | FWD | 1798 | 110 | 150 | 06.06-12.09 | ■ | |
| 2.0 (ECN) | Eq.V_ BR1 | Gasolina | FWD | 1998 | 115 | 156 | 06.06- | ■ | |
| 2.4 (ED3) | Eq.V_ BR1 | Gasolina | FWD | 2359 | 125 | 170 | 10.06- | ■ | |
| 2.4 AWD (ED3) | Eq.V_ BR1 | Gasolina | 4WD | 2359 | 125 | 170 | 10.06- | ■ | |
| 2.4 (ED3) | Eq.V_ BR1 | Gasolina | FWD | 2359 | 126 | 172 | 10.06- | ■ | |
| 2.4 Turbo (ED4) | Eq.V_ BR1 | Gasolina | FWD | 2359 | 217 | 295 | 12.07- | ■ | |
| 2.4 AWD | Eq.V_ BR1 | Gasolina | FWD | 2360 | 128 | 174 | 09.06-12.07 | ■ | |
| 2.4 | Eq.V_ BR1 | Gasolina | FWD | 2360 | 213 | 290 | 09.07-12.09 | ■ | |
| 2.0 CRD (ECD) | | Diesel | FWD | 1968 | 88 | 120 | 06.06-11.11 | ■ | |
| 2.0 CRD (ECD) | | Diesel | FWD | 1968 | 100 | 136 | 06.06-11.11 | ■ | |
| 2.0 CRD (ECD) | Eq.V_ BR1 | Diesel | FWD | 1968 | 103 | 140 | 06.06- | ■ | |
| 2.0 CRD (ECE) | Eq.V_ BR1 | Diesel | FWD | 1968 | 103 | 140 | 06.06- | ■ | |
| 2.2 CRD (ENE) | Eq.V_ BR1 | Diesel | FWD | 2143 | 120 | 163 | 07.10-11.11 | ■ | |
| FIAT | | | | | | | | | |
| DOBLO II (263_) 11.09- | | | | | | | Bus (Minibus-M2-Segment) | | |
| 1.3 D Multijet (263AXU1A, 263AYB1A) (330 A1.000) | -Org. 13114 | Diesel | FWD | 1248 | 70 | 95 | 03.16-12.23 | ■ | |
| HYUNDAI | | | | | | | | | |
| H-1 II / H-300 / iload (TQ) 09.07- | | | | | | | Van (LCVs-N1 Segment) | | |
| 2.4 i (G4KC) | vehicles with ABS | Gasolina | RWD | 2359 | 126 | 171 | 02.08- | ■ | |
| JEEP | | | | | | | | | |
| COMPASS (MK49) 08.06- | | | | | | | SUV (Compact SUV-J Segment) | | |
| 2.0 (ECN) | 01/16-, Eq.V_ VALUE LINE, Rim 18 | Gasolina | FWD | 1998 | 115 | 156 | 05.11- | ■ | |
| 2.0 (ECN) | BR1 | Gasolina | FWD | 1998 | 118 | 160 | 08.06- | ■ | |
| 2.4 (ED3) | 01/16-, Eq.V_ VALUE LINE, Rim 18 | Gasolina | FWD | 2360 | 125 | 170 | 08.06- | ■ | |
| 2.4 (EDG) | 01/16-, Eq.V_ VALUE LINE, Rim 18 | Gasolina | FWD | 2360 | 125 | 170 | 08.06- | ■ | |
| 2.4 (ERZ) | 01/16-, Eq.V_ VALUE LINE, Rim 18 | Gasolina | FWD | 2360 | 125 | 170 | 08.06- | ■ | |
| 2.4 4x4 (ED3) | 01/16-, Eq.V_ VALUE LINE, Rim 18 | Gasolina | 4WD | 2360 | 125 | 170 | 09.06- | ■ | |
| 2.4 4x4 (ERZ) | 01/16-, Eq.V_ VALUE LINE, Rim 18 | Gasolina | 4WD | 2360 | 125 | 170 | 09.06- | ■ | |
| 2.0 CRD 4x4 (ECD) | | Diesel | 4WD | 1968 | 88 | 120 | 02.07- | ■ | |
| 2.0 CRD (ECD) | 01/16-, Eq.V_ VALUE LINE, Rim 18 | Diesel | FWD | 1968 | 103 | 140 | 08.06- | ■ | |
| 2.0 CRD (ECE) | 01/16-, Eq.V_ VALUE LINE, Rim 18 | Diesel | FWD | 1968 | 103 | 140 | 08.06- | ■ | |
| 2.0 CRD 4x4 (ECE) | 01/16-, Eq.V_ VALUE LINE, Rim 18 | Diesel | 4WD | 1968 | 103 | 140 | 09.06- | ■ | |
| 2.2 CRD (ENE) | 01/16-, Eq.V_ VALUE LINE, Rim 18 | Diesel | FWD | 2143 | 100 | 136 | 05.11- | ■ | |

LISTA DE APLICACIONES - BUYERS GUIDE

| | | | | | | | | | |
|-------------------------------------|----------------------------------|------------------|-----|------|--|-----|-------------|---|--|
| 2.2 CRD 4x4 (ENE) | 01/16-, Eq.V_ VALUE LINE, Rim 18 | Diesel | 4WD | 2143 | 100 | 136 | 05.11- | ■ | |
| 2.2 CRD 4x4 (OM 651.925) | 01/16-, Eq.V_ VALUE LINE, Rim 18 | Diesel | 4WD | 2143 | 120 | 163 | 12.10- | ■ | |
| PATRIOT (MK74) 02.07- | | | | | Closed Off-Road Vehicle (Compact SUV-J Segment) | | | | |
| 2.0 (ECN) | vehicles with ABS | Gasolina | FWD | 1998 | 115 | 156 | 01.11-12.17 | ■ | |
| 2.0 4x4 (ECN) | | Gasolina | 4WD | 1998 | 115 | 156 | 02.07-12.17 | ■ | |
| 2.4 (ED3) | vehicles with ABS | Gasolina | FWD | 2360 | 125 | 170 | 06.09-12.17 | ■ | |
| 2.4 (EDG) | vehicles with ABS | Gasolina | FWD | 2360 | 125 | 170 | 06.09-12.17 | ■ | |
| 2.4 4x4 (ED3) | vehicles with ABS | Gasolina | 4WD | 2360 | 125 | 170 | 01.08-12.17 | ■ | |
| 2.4 4x4 (EDG) | vehicles with ABS | Gasolina | 4WD | 2360 | 125 | 170 | 01.08-12.17 | ■ | |
| 2.4 4x4 (ED3) | BRF, BR1,BRG | Gasolina | 4WD | 2360 | 128 | 174 | 02.07-12.17 | ■ | |
| 2.4 Eco + 4x4 (ED3) | vehicles with ABS | Gasol./Gas (LPG) | 4WD | 2360 | 125 | 170 | 07.08-12.17 | ■ | |
| 2.0 CRD 4x4 (ECD) | | Diesel | 4WD | 1968 | 88 | 120 | 02.07-12.17 | ■ | |
| 2.0 CRD (ECD) | vehicles with ABS | Diesel | FWD | 1968 | 103 | 140 | 02.07-12.17 | ■ | |
| 2.0 CRD (ECE) | vehicles with ABS | Diesel | FWD | 1968 | 103 | 140 | 02.07-12.17 | ■ | |
| 2.0 CRD 4x4 (ECD) | 01/08-, vehicles with ABS | Diesel | 4WD | 1968 | 103 | 140 | 02.07-12.17 | ■ | |
| 2.0 CRD 4x4 (ECE) | 01/08-, vehicles with ABS | Diesel | 4WD | 1968 | 103 | 140 | 02.07-12.17 | ■ | |
| 2.2 CRD (ENE) | | Diesel | FWD | 2143 | 100 | 136 | 01.11-12.17 | ■ | |
| 2.2 CRD 4x4 (ENE) | vehicles with ABS | Diesel | 4WD | 2143 | 100 | 136 | 01.11-12.17 | ■ | |
| 2.2 CRD 4x4 (ENE) | vehicles with ABS | Diesel | 4WD | 2143 | 120 | 163 | 01.11-12.17 | ■ | |
| LANCIA | | | | | | | | | |
| FLAVIA III (JS_) 03.12-12.14 | | | | | Convertible (Executive car-E Segment) | | | | |
| 2.4 (JK, JS) (EDG) | | Gasolina | FWD | 2360 | 125 | 170 | 03.12-12.14 | ■ | |
| 2.4 (JS) (EDG) | | Gasolina | FWD | 2360 | 129 | 175 | 03.12-12.14 | ■ | |
| MITSUBISHI | | | | | | | | | |
| ASX (GA_W_) 06.10- | | | | | SUV Van (Compact SUV-J Segment) | | | | |
| 1.8 DI-D 4WD (4N13) | -08/12, Europe | Diesel | 4WD | 1798 | 110 | 150 | 06.10- | ■ | |
| ASX (GA_W_) 11.09- | | | | | SUV (Compact SUV-J Segment) | | | | |
| 1.6 MIVEC (GA1W) (4A92) | -08/12, Eq.V_ H-LINE/INFORM | Gasolina | FWD | 1590 | 85 | 116 | 05.10- | ■ | |
| 1.6 MIVEC (GA1W) (4A92) | -08/12 | Gasolina | FWD | 1590 | 86 | 117 | 06.10- | ■ | |
| 1.8 (GA3W) (4B10) | -08/12 | Gasolina | FWD | 1798 | 102 | 139 | 02.10- | ■ | |
| 1.8 4WD (GA3W) | -08/12 | Gasolina | 4WD | 1798 | 102 | 139 | 02.10- | ■ | |
| 2.0 | -08/12 | Gasolina | FWD | 1998 | 108 | 147 | 09.10-12.12 | ■ | |
| 2.0 Flex | | Gasolina | FWD | 1998 | 110 | 150 | 06.10- | ■ | |
| 2.0 MIVEC (GA2W) (4B11) | -08/12, Europe, Europe | Gasolina | FWD | 1998 | 110 | 150 | 06.10- | ■ | |
| 2.0 MIVEC (GA2W) (4J11) | -08/12, Europe, Europe | Gasolina | FWD | 1998 | 110 | 150 | 06.10- | ■ | |
| 2.0 MIVEC 4WD (4B11) | -08/12 | Gasolina | 4WD | 1998 | 110 | 150 | 06.10- | ■ | |
| 2.0 MIVEC 4WD (4J11) | -08/12 | Gasolina | 4WD | 1998 | 110 | 150 | 06.10- | ■ | |
| 2.0 i 4WD | | Gasolina | 4WD | 1998 | 114 | 155 | 01.10- | ■ | |
| 2.0 i | -08/12 | Gasolina | FWD | 1998 | 118 | 160 | 06.10- | ■ | |
| 2.0 i 4WD | -08/12 | Gasolina | 4WD | 1998 | 118 | 160 | 06.10- | ■ | |
| 1.6 LPG | Eq.V_ H-LINE/INFORM | Gasol./Gas (LPG) | FWD | 1590 | 86 | 117 | 06.10- | ■ | |
| 1.6 DI-D (9HD) | | Diesel | FWD | 1560 | 84 | 114 | 07.15- | ■ | |
| 1.6 DI-D 4WD (9HD) | | Diesel | 4WD | 1560 | 84 | 114 | 07.15- | ■ | |
| 1.8 DI-D (GA6W) (4N13) | -08/12, Europe, Europe | Diesel | FWD | 1798 | 85 | 116 | 06.10- | ■ | |
| 1.8 DI-D 4WD (GA6W) (4N13) | -08/12, Europe, Europe | Diesel | 4WD | 1798 | 85 | 116 | 06.10- | ■ | |
| 1.8 DI-D (GA6W) (4N13) | -08/12 | Diesel | FWD | 1798 | 110 | 150 | 06.10- | ■ | |
| 1.8 DI-D 4WD (GA6W) (4N13) | -08/12 | Diesel | 4WD | 1798 | 110 | 150 | 06.10- | ■ | |

LISTA DE APLICACIONES - BUYERS GUIDE

| | | | | | | | | | |
|---|--------|---------------|-----|------|--|-----|-------------|---|--|
| 2.2 DI-D 4WD (GA8W) (4N14) | | Diesel | 4WD | 2268 | 110 | 150 | 04.13- | ■ | |
| ENDEAVOR / EXPO-LRV (D8_W, D7_W) 05.02-08.11 | | | | | SUV (Executive SUV-J Segment) | | | | |
| 3.8 4WD (6G75) | | Gasolina | 4WD | 3828 | 160 | 218 | 01.03-08.11 | ■ | |
| 3.8 4WD (6G75) | | Gasolina | 4WD | 3828 | 160 | 218 | 09.03-12.04 | ■ | |
| 3.8 GDi | | Gasolina | FWD | 3828 | 160 | 218 | 01.03-08.11 | ■ | |
| 3.8 (6G75) | | Gasolina | FWD | 3828 | 168 | 228 | 09.04-08.11 | ■ | |
| GRANDIS (NA_W) 03.03-12.11 | | | | | MPV (Large MPV-M1 Segment) | | | | |
| 2.4 MIVEC (NA4W) (4G69) | | Gasolina | FWD | 2378 | 121 | 165 | 04.04-12.11 | ■ | |
| 2.4 MIVEC (NA4W) (4G69) | | Gasolina | FWD | 2378 | 130 | 177 | 04.04-12.11 | ■ | |
| 2.0 DI-D (NA8W) (BSY) | | Diesel | FWD | 1968 | 100 | 136 | 09.05-03.10 | ■ | |
| 2.0 DI-D (NA8W) (BWC) | | Diesel | FWD | 1968 | 103 | 140 | 02.07-03.10 | ■ | |
| LANCER V Cargo (CV_) 01.07- | | | | | Estate (Compact car-C Segment) | | | | |
| 2.0 4WD | | Gasolina | FWD | 1998 | 177 | 241 | 09.10-12.11 | ■ | |
| LANCER V EX / GALANT FORTIS / LANCER SERIE R / LANCER FORTIS (CY_A, CZ_A) 03.07- | | | | | Saloon (Compact car-C Segment) | | | | |
| 2.0 | | Gasolina | FWD | 1998 | 110 | 150 | 01.13- | ■ | |
| 2.0 i Ralliart 4WD (CY4A) (4B11-T/C) | | Gasolina | 4WD | 1998 | 177 | 241 | 10.08- | ■ | |
| EVO X (CZ4A) | | Gasolina | FWD | 1998 | 226 | 307 | 09.14-12.15 | ■ | |
| 2.0 EVO X | | Gasolina | 4WD | 1998 | 296 | 402 | 06.09- | ■ | |
| 2.4 AWD | | Gasolina | FWD | 2360 | 125 | 170 | 09.11- | ■ | |
| LANCER V EX Sportback / GALANT FORTIS Sportback (CX_A) 10.07- | | | | | Hatchback (Compact car-C Segment) | | | | |
| 2.0 i | | Gasolina | FWD | 1998 | 113 | 154 | 10.07- | ■ | |
| 2.0 Ralliart 4WD (CX4A) (4B11-T/C) | | Gasolina | 4WD | 1998 | 177 | 241 | 10.08- | ■ | |
| 2.0 Ralliart | | Gasolina | FWD | 1998 | 184 | 250 | 08.11- | ■ | |
| 2.4 i | | Gasolina | FWD | 2360 | 125 | 170 | 10.08- | ■ | |
| OUTLANDER II (CW_W) 11.06-12.12 | | | | | SUV Van (Compact SUV-J Segment) | | | | |
| Di-D 4WD (CW8W) | 01/07- | Diesel | 4WD | 1968 | 103 | 140 | 12.06-06.10 | ■ | |
| Di-D 4WD (CW1W) | | Diesel | 4WD | 2268 | 130 | 177 | 09.10-12.12 | ■ | |
| OUTLANDER II (CW_W) 09.05-12.12 | | | | | SUV (Compact SUV-J Segment) | | | | |
| 2.0 (CW4W) (4B11) | | Gasolina | FWD | 1998 | 108 | 147 | 11.06-11.12 | ■ | |
| 2.0 4WD (4B11) | | Gasolina | 4WD | 1998 | 108 | 147 | 11.06-11.12 | ■ | |
| 2.0 | | Gasolina | FWD | 1998 | 118 | 160 | 06.09-11.12 | ■ | |
| 2.4 (CW5W) (4B12) | | Gasolina | FWD | 2360 | 125 | 170 | 11.06-11.12 | ■ | |
| 2.4 4WD (CW5W) (4B12) | | Gasolina | 4WD | 2360 | 125 | 170 | 09.07-11.12 | ■ | |
| 3.0 | | Gasolina | FWD | 2998 | 162 | 220 | 11.06-11.12 | ■ | |
| 3.0 4WD (CW6W) (6B31) | | Gasolina | 4WD | 2998 | 162 | 220 | 11.06-11.12 | ■ | |
| 3.0 | | Gasolina | FWD | 2998 | 164 | 223 | 11.06-12.09 | ■ | |
| 3.0 AWD (6B31) | | Gasolina | 4WD | 2998 | 164 | 223 | 11.06-12.13 | ■ | |
| 3.0 4WD (CW6W) (6B31) | | Gasolina | 4WD | 2998 | 169 | 230 | 09.10-12.12 | ■ | |
| 3.0 | | Gasolina | FWD | 2998 | 172 | 234 | 09.09-12.12 | ■ | |
| 3.0 AWD | | Gasolina | 4WD | 2998 | 172 | 234 | 09.09-11.12 | ■ | |
| 3.0 | | Gasolina | FWD | 2998 | 177 | 241 | 10.09-11.12 | ■ | |
| 2.4 Flex 4WD (4B12) | | Gasol./Etanol | 4WD | 2360 | 125 | 170 | 09.07-11.12 | ■ | |
| 2.0 DI-D (CW8W) (BSY) | | Diesel | 4WD | 1968 | 103 | 140 | 02.07-11.12 | ■ | |
| 2.2 DI-D 4WD (4HK) | | Diesel | 4WD | 2179 | 115 | 156 | 08.07-11.12 | ■ | |
| 2.2 DI-D 4WD (4HN) | | Diesel | 4WD | 2179 | 115 | 156 | 08.07-11.12 | ■ | |
| 2.2 DI-D 4WD (4N14) | | Diesel | 4WD | 2268 | 103 | 140 | 09.10-11.12 | ■ | |
| 2.2 DI-D (4N14) | | Diesel | FWD | 2268 | 130 | 177 | 11.06-11.12 | ■ | |
| 2.2 DI-D 4WD (4N14) | | Diesel | 4WD | 2268 | 130 | 177 | 11.06-11.12 | ■ | |

LISTA DE APLICACIONES - BUYERS GUIDE

| | | | | | | | | | |
|---|-----------------|----------|-----|------|-----|---|-------------|---|--|
| OUTLANDER II (CW_W) 12.06-11.12 | | | | | | Van (Compact SUV-J Segment) | | | |
| 2.0 DI-D | 01/07- | Diesel | RWD | 1968 | 103 | 140 | 12.06-11.12 | ■ | |
| 2.2 DI-D | | Diesel | RWD | 2268 | 130 | 177 | 09.10-11.12 | ■ | |
| OUTLANDER III / PHEV III (GG_W, GF_W, ZJ, ZL, ZK) 11.10- | | | | | | SUV (Compact SUV-J Segment) | | | |
| 2.0 (GF7W) | | Gasolina | FWD | 1998 | 118 | 160 | 03.13-12.18 | ■ | |
| 2.4 (GF8W) (4B12) | | Gasolina | FWD | 2360 | 124 | 169 | 08.12-12.22 | ■ | |
| 2.4 (GF8W) (4J12) | | Gasolina | FWD | 2360 | 124 | 169 | 08.12-12.22 | ■ | |
| 3.0 GT | | Gasolina | FWD | 2998 | 167 | 227 | 08.12- | ■ | |
| 3.0 GT 4WD (6B31) | | Gasolina | 4WD | 2998 | 167 | 227 | 08.12-12.22 | ■ | |
| PAJERO II / MONTERO / PAJERO SFX / SHOGUN (V3_W, V2_W, V4_W, V5_W) 12.90-05.01 | | | | | | Closed Off-Road Vehicle (Executive SUV-J Segment) | | | |
| 2.4 (V21W) (4G64 (12V)) | 09/99- | Gasolina | 4WD | 2351 | 82 | 112 | 04.91-10.99 | ■ | |
| 3.0 V6 24V (V43W, V23W) (6G72 (SOHC 24V)) | 09/99- | Gasolina | 4WD | 2972 | 130 | 177 | 06.97-10.99 | ■ | |
| 2.5 TD 4WD (V24W) (4D56-TD) | 09/99- | Diesel | 4WD | 2477 | 73 | 99 | 12.90-10.99 | ■ | |
| 2.8 TD (V46W, V26W) (4M40-T) | 09/99- | Diesel | 4WD | 2835 | 92 | 125 | 06.94-10.99 | ■ | |
| PAJERO II / MONTERO / SHOGUN (V3_W) 04.00-09.07 | | | | | | Closed Off-Road Vehicle (Luxury Crossover SUV-J Segment) | | | |
| 3.2 DiD 4WD (4M41) | | Diesel | 4WD | 3200 | 121 | 165 | 04.00-09.07 | ■ | |
| PAJERO II / MONTERO / SHOGUN (V2_C, V4_C) 12.90-04.00 | | | | | | Open Off-Road Vehicle (Executive SUV-J Segment) | | | |
| 1.8 GDI | 09/99- | Gasolina | 4WD | 1834 | 96 | 131 | 06.98-04.00 | ■ | |
| 2.4 (V21C) (4G64 (12V)) | 09/99- | Gasolina | 4WD | 2351 | 82 | 112 | 04.91-04.00 | ■ | |
| 3.0 V6 24V (V23C) (6G72 (SOHC 24V)) | 09/99- | Gasolina | 4WD | 2972 | 130 | 177 | 06.94-04.00 | ■ | |
| 3.0 V6 24V (V23C) (6G72 (SOHC 24V)) | 09/99- | Gasolina | 4WD | 2972 | 133 | 181 | 06.94-04.00 | ■ | |
| 2.5 TD 4WD (V24C) (4D56-TD) | 09/99- | Diesel | 4WD | 2477 | 73 | 99 | 12.90-04.00 | ■ | |
| PAJERO II CLASSIC / MONTERO CLASSIC / SHOGUN CLASSIC (V2_W, V6_W, V7_W) 07.01- | | | | | | Closed Off-Road Vehicle (Luxury Crossover SUV-J Segment) | | | |
| 3.0 (V72W, V83W, V93W) | | Gasolina | 4WD | 2972 | 131 | 178 | 09.06- | ■ | |
| 3.0 ZR (V72W) | -12/06 | Gasolina | 4WD | 2972 | 132 | 179 | 08.03- | ■ | |
| 3.8 (V77W) | | Gasolina | RWD | 3828 | 160 | 218 | 06.02-08.06 | ■ | |
| 3.8 A las 4 ruedas (V77W) (6G75) | -12/06 | Gasolina | 4WD | 3828 | 160 | 218 | 06.02- | ■ | |
| 3.8 A las 4 ruedas (V67W) | Short Wheelbase | Gasolina | 4WD | 3828 | 184 | 250 | 09.06- | ■ | |
| 2.5 TD (V24W) (4D56-T) | -12/06 | Diesel | 4WD | 2477 | 85 | 115 | 07.01- | ■ | |
| 3.2 DI-D | -12/06 | Diesel | RWD | 3200 | 118 | 160 | 05.05- | ■ | |
| 3.2 DI-D (V68W, V78W) (4M41) | | Diesel | 4WD | 3200 | 125 | 170 | 09.06- | ■ | |
| PAJERO III / MONTERO / SHOGUN (V7_W, V6_W) 01.99-09.07 | | | | | | Closed Off-Road Vehicle (Luxury Crossover SUV-J Segment) | | | |
| 2.4 | | Gasolina | 4WD | 2351 | 82 | 112 | 10.01-01.07 | ■ | |
| 3.0 V6 24V (V63W, V73W) | | Gasolina | 4WD | 2972 | 133 | 181 | 04.00-12.06 | ■ | |
| 3.5 (V75W) | | Gasolina | 4WD | 3497 | 140 | 190 | 04.00-04.04 | ■ | |
| 3.5 (V65W, V75W) (6G74 (DOHC 24V)) | | Gasolina | 4WD | 3497 | 149 | 203 | 04.00-01.07 | ■ | |
| 3.5 i (V75W, V65W) | | Gasolina | 4WD | 3497 | 162 | 220 | 09.03-10.06 | ■ | |
| 3.8 (V77W) | | Gasolina | 4WD | 3828 | 150 | 204 | 09.03-10.06 | ■ | |
| 3.8 (V67W) (6G75) | | Gasolina | 4WD | 3828 | 184 | 250 | 03.03-01.07 | ■ | |
| 2.5 TDi (V64W) (4D56-T) | | Diesel | 4WD | 2477 | 73 | 99 | 04.00-12.06 | ■ | |
| 2.5 TDi (V64W, V74W) (4D56-T) | | Diesel | 4WD | 2477 | 85 | 115 | 09.01-12.06 | ■ | |
| 2.5 TDi 4WD | | Diesel | 4WD | 2477 | 98 | 133 | 07.01-09.07 | ■ | |
| 3.2 DI-D (V68W) (4M41) | | Diesel | 4WD | 3200 | 118 | 160 | 04.00-12.06 | ■ | |
| 3.2 DI-D (V68W, V78W) (4M41) | | Diesel | 4WD | 3200 | 121 | 165 | 04.00-10.06 | ■ | |
| 3.2 DI-D | | Diesel | 4WD | 3200 | 129 | 175 | 04.00-01.07 | ■ | |
| PAJERO III / MONTERO / SHOGUN (V6_W, V7_W) 02.00-12.06 | | | | | | Open Off-Road Vehicle (Luxury Crossover SUV-J Segment) | | | |
| 2.4 | | Gasolina | 4WD | 2351 | 82 | 112 | 10.01-12.06 | ■ | |

LISTA DE APLICACIONES - BUYERS GUIDE

| | | | | | | | | |
|---|-----------------|----------|-----|------|-----|---|-------------|---|
| 2.4 | | Gasolina | FWD | 2351 | 82 | 112 | 10.01-08.06 | ■ |
| 3.0 (V73W) (6G72 (SOHC 24V)) | | Gasolina | 4WD | 2972 | 125 | 170 | 10.01-12.06 | ■ |
| 3.5 GDi 4WD (V75W) | | Gasolina | 4WD | 3497 | 125 | 170 | 10.01-12.06 | ■ |
| 3.5 i | | Gasolina | FWD | 3497 | 140 | 190 | 05.00-04.04 | ■ |
| 3.5 V6 GDI (V65W, V75W) (6G74 (GDI)) | -12/00 | Gasolina | 4WD | 3497 | 149 | 203 | 04.00-12.06 | ■ |
| 3.8 i 4WD (V60/V70) | | Gasolina | 4WD | 3828 | 149 | 203 | 09.03-10.06 | ■ |
| 2.5 TDi (V64W, V74W) (4D56-T) | | Diesel | 4WD | 2477 | 73 | 99 | 04.00-12.06 | ■ |
| 2.5 TDi (V64W, V74W) (4D56-T) | | Diesel | 4WD | 2477 | 85 | 115 | 09.01-12.06 | ■ |
| 2.8 TD 4WD (V60/V70) | | Diesel | 4WD | 2835 | 92 | 125 | 05.00-07.02 | ■ |
| 3.2 DI-D (V68W, V78W) (4M41) | | Diesel | 4WD | 3200 | 118 | 160 | 10.01-12.06 | ■ |
| 3.2 D | | Diesel | RWD | 3200 | 121 | 165 | 04.00-12.06 | ■ |
| 3.2 DI-D (V68W, V78W) (4M41) | -12/01 | Diesel | 4WD | 3200 | 121 | 165 | 04.00-12.06 | ■ |
| PAJERO IV / MONTERO / SHOGUN (V9_, V8_, V8_V) 11.06- | | | | | | Closed Off-Road Van (Luxury Crossover SUV-J Segment) | | |
| 3.2 DI-D (4M41) | Short Wheelbase | Diesel | 4WD | 3200 | 118 | 160 | 11.06- | ■ |
| 3.2 DI-D 4WD (V88W, V98W) (4M41) | Short Wheelbase | Diesel | 4WD | 3200 | 140 | 190 | 02.07- | ■ |
| 3.2 TD 4WD (V88V, V98V) (4M41) | Short Wheelbase | Diesel | 4WD | 3200 | 147 | 200 | 01.10- | ■ |
| PAJERO IV FULL / MONTERO / SHOGUN (V8_W, V9_W) 10.06- | | | | | | SUV (Luxury Crossover SUV-J Segment) | | |
| 3.0 4WD (V83W, V93W) (6G72 (SOHC 24V)) | Short Wheelbase | Gasolina | 4WD | 2972 | 131 | 178 | 02.07- | ■ |
| 3.2 DI-D | Short Wheelbase | Gasolina | FWD | 3200 | 153 | 208 | 01.09- | ■ |
| 3.5 4WD | Short Wheelbase | Gasolina | FWD | 3497 | 147 | 200 | 11.13- | ■ |
| 3.5 Flex 4WD | Short Wheelbase | Gasolina | FWD | 3497 | 151 | 205 | 08.09- | ■ |
| 3.8 i 4WD (V97W, V87W) (6G75) | Short Wheelbase | Gasolina | 4WD | 3828 | 175 | 238 | 01.09- | ■ |
| 3.8 V6 (V87W) (6G75) | Short Wheelbase | Gasolina | 4WD | 3828 | 182 | 248 | 10.06- | ■ |
| 3.8 V6 (V87W, V97W) (6G75) | Short Wheelbase | Gasolina | 4WD | 3828 | 184 | 250 | 02.07- | ■ |
| 3.2 DI-D (V88W, V98W) (4M41) | Short Wheelbase | Diesel | 4WD | 3200 | 118 | 160 | 02.07- | ■ |
| 3.2 DI-D 4WD (4M41) | Short Wheelbase | Diesel | 4WD | 3200 | 121 | 165 | 11.08- | ■ |
| 3.2 DI-D (4M41) | Short Wheelbase | Diesel | 4WD | 3200 | 123 | 167 | 02.07- | ■ |
| 3.2 DI-D GLS (4M41) | Short Wheelbase | Diesel | 4WD | 3200 | 124 | 169 | 02.07- | ■ |
| 3.2 DI-D (V88W, V98W) (4M41) | Short Wheelbase | Diesel | 4WD | 3200 | 125 | 170 | 02.07- | ■ |
| 3.2 DI-D 4WD (V98W, V88W) (4M41) | Short Wheelbase | Diesel | 4WD | 3200 | 140 | 190 | 02.07- | ■ |
| 3.2 DI-D 4WD (V98W, V88W) (4M41) | Short Wheelbase | Diesel | 4WD | 3200 | 147 | 200 | 01.09- | ■ |
| 3.2 DI-D 4WD (V98W) | Short Wheelbase | Diesel | 4WD | 3200 | 149 | 203 | 01.12- | ■ |
| PAJERO PININ / PAJERO IO / MONTERO IO / SHOGUN PININ (H6_W, H7_W) 01.99-06.07 | | | | | | Closed Off-Road Vehicle (Executive SUV-J Segment) | | |
| 3.2 DiD (4M41) | | Diesel | 4WD | 3200 | 118 | 160 | 09.99-09.06 | ■ |
| PAJERO SPORT II / PAJERO DAKAR / CHALLENGER / MONTERO SPORT / NATIVA (KH_, KG_) 01.08- | | | | | | Closed Off-Road Vehicle (Executive SUV-J Segment) | | |
| 3.2 DI-D 4WD | Short Wheelbase | Diesel | 4WD | 3200 | 132 | 180 | 11.13-12.18 | ■ |
| PEUGEOT | | | | | | | | |
| 4007 (VU_, VV_) 02.07-03.13 | | | | | | SUV Van (Compact SUV-J Segment) | | |
| HDi 155 (VU4HNNH, VV4HK8) | | Diesel | 4WD | 2179 | 115 | 156 | 02.07-03.13 | ■ |
| 4007 (VU_, VV_) 02.07- | | | | | | SUV (Compact SUV-J Segment) | | |
| 2.0 (4B11) | | Gasolina | FWD | 1998 | 108 | 147 | 11.10-03.13 | ■ |
| 2.0 4x4 (4B11) | | Gasolina | 4WD | 1998 | 108 | 147 | 11.10-03.13 | ■ |
| 2.4 16V (SFY (4B12-MMC)) | | Gasolina | 4WD | 2360 | 125 | 170 | 02.07-03.13 | ■ |
| 2.4 16V (SFZ (4B12-MMC)) | | Gasolina | 4WD | 2360 | 125 | 170 | 02.07-03.13 | ■ |
| 2.0 HDi 140 | 01/07- | Diesel | RWD | 1995 | 98 | 134 | 02.07- | ■ |
| 2.2 HDi (4HK (DW12ME5)) | | Diesel | 4WD | 2179 | 115 | 156 | 02.07-03.13 | ■ |
| 2.2 HDi (4HN (DW12MTED4)) | | Diesel | 4WD | 2179 | 115 | 156 | 02.07-03.13 | ■ |

LISTA DE APLICACIONES - BUYERS GUIDE

| 4008 05.12- | | | | | SUV (Mini SUV-J Segment) | | | |
|--------------------------|---------------------|----------|-----|------|--------------------------|-----|--------|---|
| 1.6 | -Org. 13114, -10/12 | Gasolina | FWD | 1590 | 86 | 117 | 05.12- | ■ |
| 2.0 (4B11) | -Org. 13114 | Gasolina | FWD | 1998 | 110 | 150 | 05.13- | ■ |
| 2.0 AWC (4B11) | -Org. 13114, -10/12 | Gasolina | 4WD | 1998 | 110 | 150 | 05.12- | ■ |
| 1.6 HDi (9HD (DV6C)) | -Org. 13114, -10/12 | Diesel | FWD | 1560 | 84 | 114 | 05.12- | ■ |
| 1.6 HDi AWC (9HD (DV6C)) | -Org. 13114, -10/12 | Diesel | 4WD | 1560 | 84 | 114 | 05.12- | ■ |
| 1.6 HDi | -Org. 13114, -10/12 | Diesel | RWD | 1560 | 85 | 116 | 05.12- | ■ |
| 1.8 HDi | -Org. 13114, -10/12 | Diesel | FWD | 1798 | 110 | 150 | 05.12- | ■ |
| 1.8 HDi AWC (6HZ (4N13)) | -Org. 13114, -10/12 | Diesel | 4WD | 1798 | 110 | 150 | 05.12- | ■ |