

LISTA DE APLICACIONES - BUYERS GUIDE

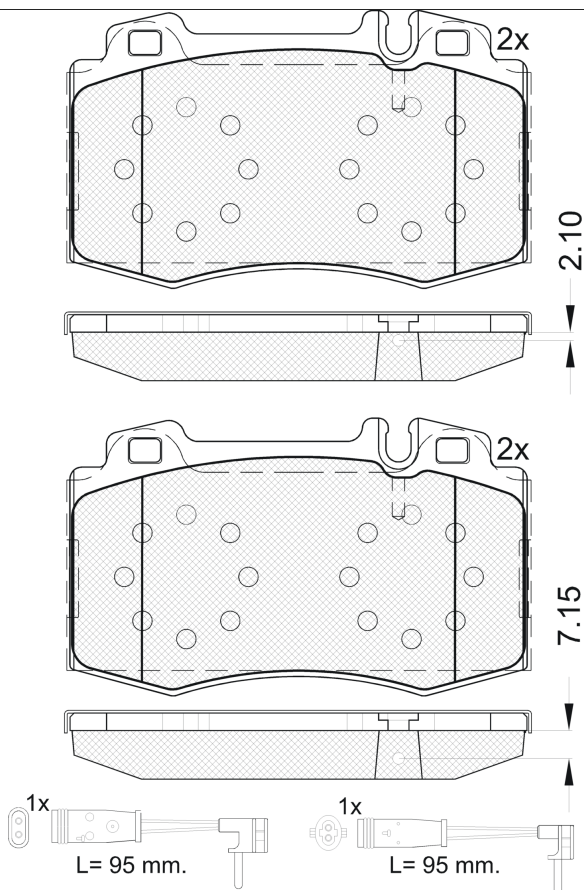
181389-203



Qty: 300

Weight: 1.820

| O.E.M. | MAKE |
|---------------|---------------|
| 000 420 77 04 | MERCEDES-BENZ |
| 000 420 80 04 | MERCEDES-BENZ |
| 003 420 58 20 | MERCEDES-BENZ |
| 004 420 05 20 | MERCEDES-BENZ |
| 004 420 90 20 | MERCEDES-BENZ |
| 005 420 95 20 | MERCEDES-BENZ |
| 006 420 12 20 | MERCEDES-BENZ |
| 006 420 32 20 | MERCEDES-BENZ |



1 - Ref. 610333 E

181389-203

E 9 90R-01111/508



Brembo

119.1x71.5x17.7

| WVA | FMSI |
|-------|-----------|
| 23045 | D847-7960 |
| 23271 | |
| 23462 | |
| 23745 | |

| MAKE |
|----------------------|
| MERCEDES-BENZ |
| MERCEDES-BENZ (BBDC) |



| Trac. | CC | Kw | CV |
|-------|----|----|----|
|-------|----|----|----|



Front / Rear

MERCEDES-BENZ

C-Class II (CL203) 03.01-06.11

Coupe (Compact executive car-D Segment)

| Model | Engine | Trac. | CC | Kw | CV | Period | Availability |
|---|----------|-------|------|-----|-----|-------------|--------------|
| C 320 (203.764) (M 112.946) | Gasolina | RWD | 3199 | 160 | 218 | 09.02-05.08 | ■ |
| C 32 AMG Kompressor (203.765) (M 112.961) | Gasolina | RWD | 3199 | 260 | 354 | 05.02-05.08 | ■ |
| C 350 (203.756) (M 272.960) | Gasolina | RWD | 3498 | 200 | 272 | 01.05-05.08 | ■ |
| C 30 CDI AMG (203.718) (OM 612.990) | Diesel | RWD | 2950 | 170 | 231 | 09.02-05.08 | ■ |

C-Class II (W203) 05.00-12.07

Saloon (Compact executive car-D Segment)

| Model | Engine | Trac. | CC | Kw | CV | Period | Availability |
|--|----------|-------|------|-----|-----|-------------|--------------|
| C 180 Kompressor (203.046) (M 271.946) | Gasolina | RWD | 1796 | 105 | 143 | 05.02-02.07 | ■ |
| C 200 Kompressor (203.045) (M 271.940) | Gasolina | RWD | 1796 | 120 | 163 | 05.02-02.07 | ■ |
| C 200 CGI Kompressor (203.743) (M 271.942) | Gasolina | RWD | 1796 | 125 | 170 | 07.03-02.07 | ■ |
| C 230 Kompressor (203.040) (M 271.948) | Gasolina | RWD | 1796 | 141 | 192 | 02.04-02.07 | ■ |
| C 230 (203.052) (M 272.920) | Gasolina | RWD | 2496 | 150 | 204 | 01.05-02.07 | ■ |
| C 240 (203.061) (M 112.912) | Gasolina | RWD | 2597 | 125 | 170 | 05.00-02.07 | ■ |
| C 280 (203.054) (M 272.940) | Gasolina | RWD | 2996 | 170 | 231 | 01.05-02.07 | ■ |
| C 320 (203.064) (M 112.946) | Gasolina | RWD | 3199 | 160 | 218 | 05.00-02.07 | ■ |
| C 32 AMG Kompressor (203.765) (M 112.961) | Gasolina | RWD | 3199 | 260 | 354 | 02.01-02.07 | ■ |
| 3.5 (203.056) (M 272.960) | Gasolina | RWD | 3498 | 170 | 231 | 01.05-02.07 | ■ |
| C 350 (203.056) (M 272.960) | Gasolina | RWD | 3498 | 200 | 272 | 01.05-02.07 | ■ |
| C 350 4-matic (203.087) (M 272.960) | Gasolina | 4WD | 3498 | 200 | 272 | 01.05-02.07 | ■ |
| C 350 4-matic (203.087) (M 272.970) | Gasolina | 4WD | 3498 | 200 | 272 | 01.05-02.07 | ■ |
| C 55 AMG (203.076) (M 113.988) | Gasolina | RWD | 5439 | 270 | 367 | 02.04-02.07 | ■ |
| C 55 AMG (203.076) | Gasolina | RWD | 5439 | 270 | 367 | 09.05-12.06 | ■ |
| C 200 CDI (203.004) (OM 611.962) | Diesel | RWD | 2148 | 75 | 102 | 02.01-06.03 | ■ |
| C 200 CDI (203.004) (OM 611.962) | Diesel | RWD | 2148 | 85 | 116 | 09.00-06.03 | ■ |

LISTA DE APLICACIONES - BUYERS GUIDE

| | | | | | | | | | |
|--|--------|----------|-----|------|-----|-----|---|---|--|
| C 200 CDI (203.007) (OM 646.962) | | Diesel | RWD | 2148 | 90 | 122 | 04.03-02.07 | ■ | |
| C 200 CDI (203.007) (OM 646.963) | | Diesel | RWD | 2148 | 90 | 122 | 04.03-02.07 | ■ | |
| C 220 CDI (203.006) (OM 611.962) | | Diesel | RWD | 2148 | 100 | 136 | 05.00-02.07 | ■ | |
| C 220 CDI (203.006, 203.008) (OM 611.962) | | Diesel | RWD | 2148 | 105 | 143 | 05.00-02.07 | ■ | |
| C 220 CDI (203.006, 203.008) (OM 646.963) | | Diesel | RWD | 2148 | 105 | 143 | 05.00-02.07 | ■ | |
| C 220 CDI (203.008) (OM 646.963) | | Diesel | RWD | 2148 | 110 | 150 | 04.03-02.07 | ■ | |
| C 270 CDI (203.016) (OM 612.962) | | Diesel | RWD | 2685 | 120 | 163 | 12.00-02.07 | ■ | |
| C 270 CDI (203.016) (OM 612.962) | | Diesel | RWD | 2685 | 125 | 170 | 12.00-02.07 | ■ | |
| C 30 CDI AMG (203.018) (OM 612.990) | | Diesel | RWD | 2950 | 170 | 231 | 01.03-02.07 | ■ | |
| C 320 CDI (203.020) (OM 642.910) | | Diesel | RWD | 2987 | 165 | 224 | 01.05-02.07 | ■ | |
| C-Class II T-Model (S203) 03.01-08.07 | | | | | | | Estate (Compact executive car-D Segment) | | |
| C 180 Kompressor (203.246) (M 271.946) | | Gasolina | RWD | 1796 | 105 | 143 | 05.02-08.07 | ■ | |
| C 200 Kompressor (203.245) (M 271.940) | | Gasolina | RWD | 1796 | 120 | 163 | 05.02-08.07 | ■ | |
| C 200 CGI Kompressor (203.743) (M 271.942) | | Gasolina | RWD | 1796 | 125 | 170 | 07.03-08.07 | ■ | |
| C 230 Kompressor (203.240) (M 271.948) | | Gasolina | RWD | 1796 | 141 | 192 | 02.04-08.07 | ■ | |
| C 240 (203.261) (M 112.912) | | Gasolina | RWD | 2597 | 125 | 170 | 03.01-08.07 | ■ | |
| C 320 (203.264) (M 112.946) | | Gasolina | RWD | 3199 | 160 | 218 | 03.01-08.07 | ■ | |
| C 32 AMG Kompressor (203.765) (M 112.961) | | Gasolina | RWD | 3199 | 260 | 354 | 03.01-08.07 | ■ | |
| C 350 (203.256) (M 272.960) | | Gasolina | RWD | 3498 | 200 | 272 | 01.05-08.07 | ■ | |
| C 350 4-matic (203.287) (M 272.970) | | Gasolina | 4WD | 3498 | 200 | 272 | 01.05-08.07 | ■ | |
| C 55 AMG (203.276) (M 113.988) | | Gasolina | RWD | 5439 | 270 | 367 | 02.04-08.07 | ■ | |
| C 200 CDI (203.204) (OM 611.962) | | Diesel | RWD | 2148 | 75 | 102 | 03.01-08.07 | ■ | |
| C 200 CDI (203.204) (OM 646.962) | | Diesel | RWD | 2148 | 75 | 102 | 03.01-08.07 | ■ | |
| C 200 CDI (203.204) (OM 611.962) | | Diesel | RWD | 2148 | 85 | 116 | 03.01-08.07 | ■ | |
| C 200 CDI (203.207) (OM 646.962) | | Diesel | RWD | 2148 | 90 | 122 | 04.03-08.07 | ■ | |
| C 200 CDI (203.207) (OM 646.963) | | Diesel | RWD | 2148 | 90 | 122 | 04.03-08.07 | ■ | |
| C 220 CDI (203.208) (OM 646.963) | | Diesel | RWD | 2148 | 100 | 136 | 08.06-08.07 | ■ | |
| C 220 CDI (203.206, 203.208) (OM 611.962) | | Diesel | RWD | 2148 | 105 | 143 | 03.01-08.07 | ■ | |
| C 220 CDI (203.208) (OM 646.963) | | Diesel | RWD | 2148 | 110 | 150 | 02.04-08.07 | ■ | |
| C 270 CDI (203.216) (OM 612.962) | | Diesel | RWD | 2685 | 120 | 163 | 03.01-08.07 | ■ | |
| C 270 CDI (203.216) (OM 612.962) | | Diesel | RWD | 2685 | 125 | 170 | 03.01-08.07 | ■ | |
| C 30 CDI AMG (203.218) (OM 612.990) | | Diesel | RWD | 2950 | 170 | 231 | 01.03-08.07 | ■ | |
| C 320 CDI (203.220) (OM 642.910) | | Diesel | RWD | 2987 | 165 | 224 | 06.05-08.07 | ■ | |
| CL-Class II (C215) 03.99-12.06 | | | | | | | Coupe (Compact executive car-D Segment) | | |
| CL 500 (215.375) (M 113.960) | 01/02- | Gasolina | RWD | 4966 | 225 | 306 | 03.99-03.06 | ■ | |
| CL 55 AMG Kompressor (215.374) (M 113.991) | -12/05 | Gasolina | RWD | 5439 | 368 | 500 | 06.02-03.06 | ■ | |
| CL 63 AMG (215.000) (M 137.980) | -12/03 | Gasolina | RWD | 6258 | 326 | 444 | 09.01-03.06 | ■ | |
| CLK-Class II (A209) 06.02-12.13 | | | | | | | Convertible (Executive car-E Segment) | | |
| CLK 350 (209.456) (M 272.960) | | Gasolina | RWD | 3498 | 200 | 272 | 01.05-03.10 | ■ | |
| CLK 500 (209.475) (M 113.968) | | Gasolina | RWD | 4966 | 225 | 306 | 02.03-03.10 | ■ | |
| CLK 55 AMG (209.476) (M 113.987) | | Gasolina | RWD | 5439 | 270 | 367 | 06.02-03.10 | ■ | |
| CLK AMG DTM (209.476) (M 113.994) | | Gasolina | RWD | 5439 | 428 | 582 | 06.04-10.05 | ■ | |
| CLK 500 (209.472) (M 273.967) | | Gasolina | RWD | 5461 | 285 | 388 | 06.06-03.10 | ■ | |
| CLK 63 AMG (209.477) (M 156.982) | | Gasolina | RWD | 6208 | 354 | 481 | 04.06-03.10 | ■ | |
| CLK 320 CDI (209.420) (OM 642.910) | | Diesel | RWD | 2987 | 165 | 224 | 03.05-03.10 | ■ | |
| CLK-Class II (C209) 05.02-12.13 | | | | | | | Coupe (Executive car-E Segment) | | |
| CLK 350 (209.356) (M 272.960) | | Gasolina | RWD | 3498 | 200 | 272 | 01.05-05.09 | ■ | |
| CLK 500 (209.375) (M 113.968) | | Gasolina | RWD | 4966 | 225 | 306 | 06.02-05.09 | ■ | |
| CLK 55 AMG (209.376) (M 113.987) | | Gasolina | RWD | 5439 | 270 | 367 | 09.02-05.09 | ■ | |

LISTA DE APLICACIONES - BUYERS GUIDE

| | | | | | | | | |
|--|--|------------------|-----|---|-----|-----|-------------|---|
| CLK 500 (209.372) (M 273.965) | | Gasolina | RWD | 5461 | 285 | 388 | 06.06-05.09 | ■ |
| CLK 63 AMG (209.377) (M 156.982) | | Gasolina | RWD | 6208 | 354 | 481 | 04.06-05.09 | ■ |
| CLK 320 CDI (209.320) (OM 642.910) | | Diesel | RWD | 2987 | 165 | 224 | 01.05-05.09 | ■ |
| CLS-Class (C219) 10.04-12.12 | | | | Coupe (Executive car-E Segment) | | | | |
| CLS 280 (219.354) (M 272.943) | | Gasolina | RWD | 2996 | 170 | 231 | 07.08-12.10 | ■ |
| CLS 300 (219.354) (M 272.943) | | Gasolina | RWD | 2996 | 170 | 231 | 04.09-12.10 | ■ |
| CLS 350 (219.356) (M 272.964) | | Gasolina | RWD | 3498 | 200 | 272 | 10.04-12.10 | ■ |
| CLS 350 (219.357) (M 272.985) | | Gasolina | RWD | 3498 | 215 | 292 | 04.06-12.10 | ■ |
| CLS 350 CGI (219.357) | | Gasolina | RWD | 3498 | 215 | 292 | 04.09-12.10 | ■ |
| CLS 500 (219.375) (M 113.967) | | Gasolina | RWD | 4966 | 225 | 306 | 10.04-12.10 | ■ |
| CLS 500 (219.372) (M 273.960) | | Gasolina | RWD | 5461 | 285 | 388 | 04.06-12.10 | ■ |
| CLS 320 CDI (219.322) (OM 642.920) | | Diesel | RWD | 2987 | 155 | 211 | 01.05-12.10 | ■ |
| CLS 320 CDI (219.322) (OM 642.920) | | Diesel | RWD | 2987 | 165 | 224 | 01.05-12.10 | ■ |
| CLS 350 CDI (219.322) (OM 642.920) | | Diesel | RWD | 2987 | 165 | 224 | 04.09-12.10 | ■ |
| CLS 350 CDI (219.322) (OM 642.920) | | Diesel | RWD | 2987 | 200 | 272 | 04.09-12.10 | ■ |
| E-Class III (VF211) 03.03-07.09 | | | | Platform/Chassis (LCVs-N1 Segment) | | | | |
| E 220 CDI (211.606) (OM 646.961) | | Diesel | RWD | 2148 | 110 | 150 | 10.03-07.06 | ■ |
| E 220 CDI (211.608) (OM 646.821) | | Diesel | RWD | 2148 | 125 | 170 | 04.06-07.09 | ■ |
| E 270 CDI (211.616) (OM 647.961) | | Diesel | RWD | 2685 | 120 | 163 | 03.03-07.09 | ■ |
| E 270 CDI (211.616) (OM 647.961) | | Diesel | RWD | 2685 | 130 | 177 | 10.03-07.05 | ■ |
| E 280 CDI (211.620) (OM 642.920) | | Diesel | RWD | 2987 | 140 | 190 | 08.05-07.09 | ■ |
| E-Class III (W211) 03.02-03.09 | | | | Saloon (Executive car-E Segment) | | | | |
| E 200 Kompressor (211.042) (M 271.941) | | Gasolina | RWD | 1796 | 120 | 163 | 11.02-12.08 | ■ |
| E 200 Kompressor (211.042) (M 271.956) | | Gasolina | RWD | 1796 | 135 | 184 | 04.06-12.08 | ■ |
| E 230 (211.052) (M 272.922) | | Gasolina | RWD | 2496 | 150 | 204 | 09.07-12.08 | ■ |
| E 280 (211.054) (M 272.943) | | Gasolina | RWD | 2996 | 170 | 231 | 03.05-12.08 | ■ |
| E 280 4-matic (211.092) (M 272.943) | | Gasolina | 4WD | 2996 | 170 | 231 | 01.06-12.08 | ■ |
| E 280 4-matic (211.092) (M 272.944) | | Gasolina | 4WD | 2996 | 170 | 231 | 01.06-12.08 | ■ |
| E 320 (211.065) (M 112.949) | | Gasolina | RWD | 3199 | 165 | 224 | 03.02-12.08 | ■ |
| E 350 (211.056) (M 272.964) | | Gasolina | RWD | 3498 | 200 | 272 | 03.05-12.08 | ■ |
| E 350 4-matic (211.087) (M 272.972) | | Gasolina | 4WD | 3498 | 200 | 272 | 03.05-12.08 | ■ |
| 3.5 | | Gasolina | FWD | 3498 | 205 | 279 | 08.04-08.06 | ■ |
| E 350 CGI (211.057) (M 272.985) | | Gasolina | RWD | 3498 | 215 | 292 | 09.07-12.08 | ■ |
| E 500 (211.070) (M 113.967) | | Gasolina | RWD | 4966 | 225 | 306 | 03.02-12.08 | ■ |
| E 500 (211.072) (M 273.960) | | Gasolina | RWD | 5461 | 285 | 388 | 04.06-12.08 | ■ |
| E 500 4-matic (211.090) (M 273.962) | | Gasolina | 4WD | 5461 | 285 | 388 | 04.06-12.08 | ■ |
| E 200 NGT (211.042) (M 271.941) | | Gasol./Gas (CNG) | RWD | 1796 | 120 | 163 | 03.04-12.08 | ■ |
| E 200 CDI (211.004) (OM 646.951) | | Diesel | RWD | 2148 | 75 | 102 | 07.02-12.08 | ■ |
| E 200 CDI (211.004) (OM 646.951) | | Diesel | RWD | 2148 | 90 | 122 | 07.02-12.08 | ■ |
| E 200 CDI (211.007) (OM 646.820) | | Diesel | RWD | 2148 | 100 | 136 | 04.06-12.08 | ■ |
| E 220 CDI (211.006) (OM 646.961) | | Diesel | RWD | 2148 | 100 | 136 | 03.02-12.08 | ■ |
| E 220 CDI (211.006) (OM 646.961) | | Diesel | RWD | 2148 | 110 | 150 | 03.02-12.08 | ■ |
| E 220 CDI (211.008) (OM 646.821) | | Diesel | RWD | 2148 | 125 | 170 | 04.06-12.08 | ■ |
| E 220 CDI (211.008) (OM 646.821) | | Diesel | RWD | 2149 | 120 | 163 | 03.03-12.08 | ■ |
| E 280 CDI (211.020) (OM 642.920) | | Diesel | RWD | 2987 | 140 | 190 | 03.05-12.08 | ■ |
| E 280 CDI 4-matic (211.084) (OM 642.921) | | Diesel | 4WD | 2987 | 140 | 190 | 03.05-12.08 | ■ |
| E 300 BlueTEC (211.024) (OM 642.920) | | Diesel | RWD | 2987 | 155 | 211 | 09.07-12.08 | ■ |
| E320 CDI (211.022) (OM 642.920) | | Diesel | RWD | 2987 | 165 | 224 | 03.05-12.08 | ■ |
| E 320 CDI 4-matic (211.089) (OM 642.910) | | Diesel | 4WD | 2987 | 165 | 224 | 03.05-12.08 | ■ |

LISTA DE APLICACIONES - BUYERS GUIDE

| | | | | | | | | | |
|--|--------|----------|-----|------|-----|-----|---|---|--|
| E 320 CDI 4-matic (211.089) (OM 642.921) | | Diesel | 4WD | 2987 | 165 | 224 | 03.05-12.08 | ■ | |
| E 280 CDI (211.023) (OM 648.961) | | Diesel | RWD | 3222 | 130 | 177 | 05.04-12.08 | ■ | |
| E 320 CDI (211.026) (OM 648.961) | | Diesel | RWD | 3222 | 150 | 204 | 11.02-12.08 | ■ | |
| E 400 CDI (211.028) (OM 628.961) | | Diesel | RWD | 3996 | 191 | 260 | 02.03-12.08 | ■ | |
| E-Class III T-Model (S211) 02.03-07.09 | | | | | | | Estate (Executive car-E Segment) | | |
| E 200 T Kompressor (211.242) (M 271.941) | | Gasolina | RWD | 1796 | 120 | 163 | 03.03-07.09 | ■ | |
| E 200 Kompressor (211.241) (M 271.956) | | Gasolina | RWD | 1796 | 135 | 184 | 04.06-07.09 | ■ | |
| E 230 T (211.252) (M 272.922) | | Gasolina | RWD | 2496 | 150 | 204 | 05.07-07.09 | ■ | |
| E 280 T (211.254) (M 272.943) | -12/08 | Gasolina | RWD | 2996 | 170 | 231 | 03.05-07.09 | ■ | |
| E 320 T (211.265) (M 112.949) | -12/08 | Gasolina | RWD | 3199 | 165 | 224 | 03.03-07.09 | ■ | |
| E 350 T (211.256) (M 272.964) | -12/08 | Gasolina | RWD | 3498 | 200 | 272 | 03.05-07.09 | ■ | |
| E 350 T 4-matic (211.287) (M 272.972) | -12/08 | Gasolina | 4WD | 3498 | 200 | 272 | 03.05-07.09 | ■ | |
| 3.5 | | Gasolina | FWD | 3498 | 205 | 279 | 08.04-08.06 | ■ | |
| 350 CGI (211.257) (M 272.985) | -12/08 | Gasolina | RWD | 3498 | 215 | 292 | 05.06-07.09 | ■ | |
| E 500 T (211.270) (M 113.967) | -12/08 | Gasolina | RWD | 4966 | 225 | 306 | 10.03-07.09 | ■ | |
| E 500 T (211.272) (M 273.960) | -12/08 | Gasolina | RWD | 5461 | 285 | 388 | 04.06-07.09 | ■ | |
| E 500 T 4-matic (211.290) (M 273.962) | -12/08 | Gasolina | 4WD | 5461 | 285 | 388 | 04.06-07.09 | ■ | |
| E 200 CDI (211.207) (OM 646.821) | | Diesel | RWD | 2148 | 100 | 136 | 04.06-07.09 | ■ | |
| E 220 CDI (211.206) (OM 646.961) | | Diesel | RWD | 2148 | 100 | 136 | 03.03-07.09 | ■ | |
| E 220 T CDI (211.206) (OM 646.961) | | Diesel | RWD | 2148 | 110 | 150 | 03.03-07.09 | ■ | |
| E 220 T CDI (211.208) (OM 646.821) | | Diesel | RWD | 2148 | 120 | 163 | 03.03-07.09 | ■ | |
| E 220 T CDI (211.208) (OM 646.821) | | Diesel | RWD | 2148 | 125 | 170 | 04.06-07.09 | ■ | |
| E 270 T CDI (211.216) (OM 647.961) | | Diesel | RWD | 2685 | 120 | 163 | 03.03-07.09 | ■ | |
| E 280 T CDI (211.220) (OM 642.920) | | Diesel | RWD | 2987 | 140 | 190 | 03.05-07.09 | ■ | |
| E 320 T CDI (211.222) (OM 642.920) | | Diesel | RWD | 2987 | 155 | 211 | 11.07-07.09 | ■ | |
| E 320 T CDI (211.222) (OM 642.920) | -12/08 | Diesel | RWD | 2987 | 165 | 224 | 03.05-07.09 | ■ | |
| E 320 T CDI 4-matic (211.289) (OM 642.921) | -12/08 | Diesel | 4WD | 2987 | 165 | 224 | 03.05-07.09 | ■ | |
| E 280 T CDI (211.223) (OM 648.961) | | Diesel | RWD | 3222 | 130 | 177 | 05.04-07.09 | ■ | |
| E 320 T CDI (211.226) (OM 648.961) | -12/08 | Diesel | RWD | 3222 | 150 | 204 | 03.03-07.09 | ■ | |
| S-Class IV (W220, V220) 09.98-12.06 | | | | | | | Saloon (Luxury car-F Segment) | | |
| S 280 (220.063, 220.163) (M 112.922) | | Gasolina | RWD | 2799 | 150 | 204 | 10.98-08.05 | ■ | |
| S 320 (220.065, 220.165) (M 112.944) | 01/01- | Gasolina | RWD | 3199 | 165 | 224 | 10.98-08.05 | ■ | |
| S 350, S 350 L (220.067, 220.167) (M 112.972) | | Gasolina | RWD | 3724 | 180 | 245 | 09.02-08.05 | ■ | |
| S 430, S 430 L (220.070, 220.170) (M 113.941) | | Gasolina | RWD | 4266 | 205 | 279 | 10.98-08.05 | ■ | |
| S 500 (220.075, 220.175, 220.875) (M 113.960) | | Gasolina | RWD | 4966 | 220 | 299 | 10.98-12.03 | ■ | |
| S 500, S 500 L (220.075, 220.175, 220.875) (M 113.960) | | Gasolina | RWD | 4966 | 225 | 306 | 10.98-08.05 | ■ | |
| S 500, S 500 L (220.075, 220.175, 220.875) (M 113.966) | | Gasolina | RWD | 4966 | 225 | 306 | 10.98-08.05 | ■ | |
| S 600, S 600 L (220.176) (M 275.950) | | Gasolina | RWD | 5513 | 368 | 500 | 09.02-08.05 | ■ | |
| S 320 CDI (220.026, 220.126) (OM 613.960) | 01/01- | Diesel | RWD | 3222 | 145 | 197 | 08.99-09.02 | ■ | |
| S 320 CDI (220.025, 220.125) (OM 648.960) | | Diesel | RWD | 3222 | 150 | 204 | 09.02-08.05 | ■ | |
| S 400 CDI (220.028, 220.128) (OM 628.960) | 01/01- | Diesel | RWD | 3996 | 184 | 250 | 06.00-08.05 | ■ | |
| S 400 CDI (220.028, 220.128) (OM 628.960) | | Diesel | RWD | 3996 | 191 | 260 | 06.03-08.05 | ■ | |
| SL-Class IV (R230) 10.01-12.13 | | | | | | | Convertible (Grand Tourer-S Segment) | | |
| 280 (230.454) (M 272.949) | | Gasolina | RWD | 2996 | 170 | 231 | 03.08-01.12 | ■ | |
| 300 (230.454) (M 272.949) | | Gasolina | RWD | 2996 | 170 | 231 | 04.09-01.12 | ■ | |
| 350 (230.456) (M 272.966) | | Gasolina | RWD | 3498 | 200 | 272 | 03.06-01.12 | ■ | |
| 350 (230.458) (M 272.968) | | Gasolina | RWD | 3498 | 232 | 316 | 04.08-01.12 | ■ | |
| 350 (230.467) (M 112.973) | | Gasolina | RWD | 3724 | 180 | 245 | 03.03-01.12 | ■ | |
| 500 (230.475) (M 113.963) | | Gasolina | RWD | 4966 | 225 | 306 | 10.01-01.12 | ■ | |

LISTA DE APLICACIONES - BUYERS GUIDE

| SLK-Class II (R171) 03.04-12.15 | | | | | | Convertible (Sports car-S Segment) | | | |
|--|--------|----------|-----|------|-----|---|-------------|---|--|
| 350 (171.456) (M 272.963) | -12/08 | Gasolina | RWD | 3498 | 200 | 272 | 06.04-02.11 | ■ | |
| 55 AMG (171.473) (M 113.989) | | Gasolina | RWD | 5439 | 265 | 360 | 06.04-02.11 | ■ | |
| 55 AMG (171.473) | | Gasolina | RWD | 5439 | 265 | 360 | 09.09-12.11 | ■ | |
| 55 AMG (171.473) (M 113.989) | | Gasolina | RWD | 5439 | 294 | 400 | 06.06-02.11 | ■ | |
| MERCEDES-BENZ (BBDC) | | | | | | | | | |
| E-Class (W211) 11.05- | | | | | | Saloon (Executive car-E Segment) | | | |
| 3.0 | | Gasolina | FWD | 2998 | 170 | 228 | 11.05- | ■ | |
| 3.5 E 350 (211.056) | | Gasolina | RWD | 3498 | 200 | 272 | 11.05-12.09 | ■ | |