

LISTA DE APLICACIONES - BUYERS GUIDE

181392

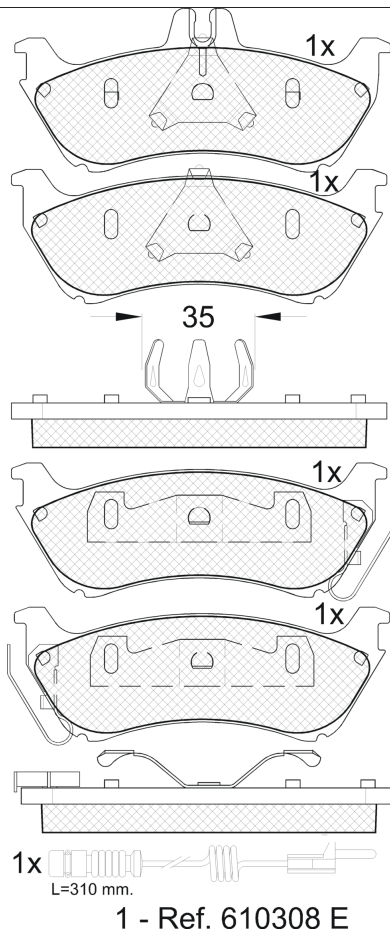


8 424073 083005

Qty: 944

Weight: 1.528

O.E.M.	MAKE
163 420 05 20	MERCEDES-BENZ
163 420 14 20	MERCEDES-BENZ



1 - Ref. 610308 E

181392



90R-01110/471



Bosch

140.15x50x16.7

140.15x61x16.7

WVA	FMSI
21895	D875-7750
21896	
23156	
23189	
23190	
MAKE	
MERCEDES-BENZ	



Trac.	CC	Kw	CV
-------	----	----	----



Front / Rear

MERCEDES-BENZ

M-Class (W163) 02.98-12.06

SUV (Executive SUV-J Segment)

ML 230 (163.136) (M 111.977)	-12/00	Gasolina	4WD	2295	110	150	02.98-06.05	■
ML 320 (163.154) (M 112.942)	-12/00	Gasolina	4WD	3199	160	218	02.98-06.03	■
ML 350 (163.157) (M 112.970)		Gasolina	4WD	3724	173	235	02.03-06.05	■
ML 430 (163.172) (M 113.942)	-12/00	Gasolina	4WD	4266	200	272	02.98-06.05	■
ML 270 CDI (163.113) (OM 612.963)	-12/00	Diesel	4WD	2685	120	163	12.99-06.05	■