

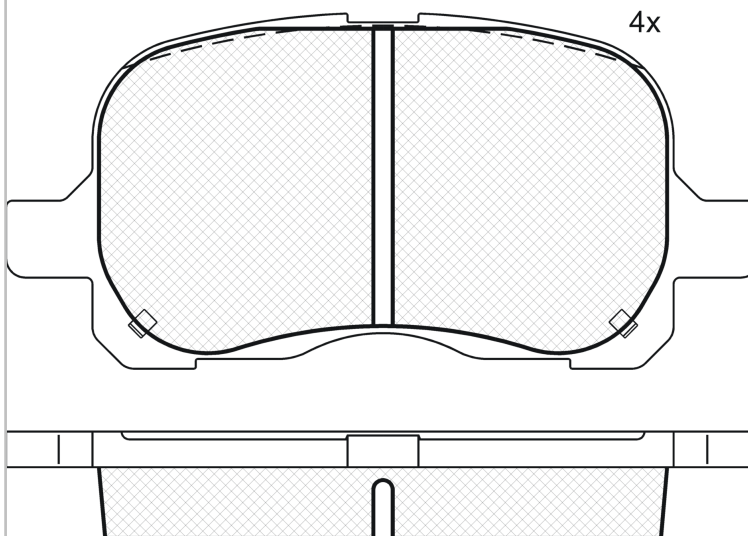
LISTA DE APLICACIONES - BUYERS GUIDE

181408



Qty: 300 Weight: 1.190

O.E.M.	MAKE
04465-02010	TOYOTA
04465-02040	TOYOTA
04465-02050	TOYOTA
04465-12140	TOYOTA
04465-12240	TOYOTA
04465-12520	TOYOTA



181408

E 9 **90R-02A0111/0360**



Akebono

116.75x55x16.5

WVA	FMSI
23294	D741-7611
MAKE	
CHEVROLET	
TOYOTA	



Trac.	CC	Kw	CV
-------	----	----	----



Front / Rear

CHEVROLET

PRIZM 05.97-08.01							Saloon (Compact car-C Segment)		
1.8		Gasolina	FWD	1762	92	125	05.97-08.01	■	
1.8		Gasolina	FWD	1794	95	129	05.97-08.01	■	

TOYOTA

COROLLA VIII (_E11_) 04.97-10.01							Estate (Compact executive car-D Segment)		
1.4 (EE111_, EE111R) (4E-FE)		Gasolina	FWD	1332	63	86	04.97-02.00	■	
1.4 16V (ZZE111_, ZZE111R) (4ZZ-FE)		Gasolina	FWD	1398	71	97	02.00-10.01	■	
1.6 Aut. (AE111_, AE111R) (4A-FE)		Gasolina	FWD	1587	79	107	04.97-02.00	■	
1.6 (AE111_, AE111R) (4A-FE)		Gasolina	FWD	1587	81	110	04.97-02.00	■	
1.6 16V (ZZE112_, ZZE112R) (3ZZ-FE)		Gasolina	FWD	1598	81	110	02.00-10.01	■	

COROLLA VIII (_E11_) 04.97-01.02							Hatchback (Compact executive car-D Segment)		
1.4 (ZZE111_, ZZE111R) (4ZZ-FE)		Gasolina	FWD	1398	71	97	10.99-01.02	■	
1.6 Aut. (AE111_) (4A-FE)		Gasolina	FWD	1587	79	107	05.97-02.00	■	
1.6 (AE111_, AE111R) (4A-FE)		Gasolina	FWD	1587	81	110	05.97-08.01	■	
1.6 (ZZE112_, ZZE112R) (3ZZ-FE)		Gasolina	FWD	1598	81	110	02.00-01.02	■	

COROLLA VIII (_E11_) 05.95-02.03							Saloon (Compact executive car-D Segment)		
1.3 (EE110) (2E)		Gasolina	FWD	1295	55	75	05.97-10.01	■	
1.3 (EE111_) (4E-FE)		Gasolina	FWD	1332	63	86	05.97-09.99	■	
1.4 (EE111_, EE111R) (4E-FE)		Gasolina	FWD	1332	63	86	05.97-09.99	■	
1.4 16V (ZZE111_, ZZE111R) (4ZZ-FE)		Gasolina	FWD	1398	71	97	02.00-11.01	■	
1.6 Aut. (AE111_, AE111R) (4A-FE)		Gasolina	FWD	1587	79	107	04.97-02.00	■	
1.6		Gasolina	FWD	1587	81	110	04.97-02.00	■	

LISTA DE APLICACIONES - BUYERS GUIDE

1.6 (AE111) (4A-FE)		Gasolina	FWD	1587	81	110	05.95-02.00	■	
1.6 16V (ZZE112_, ZZE112R)		Gasolina	FWD	1598	81	110	08.99-12.01	■	
1.6 16V (ZZE112_, ZZE112R) (3ZZ-FE)		Gasolina	FWD	1598	81	110	08.99-12.01	■	
1.8 (AE112_) (7A-FE)		Gasolina	FWD	1762	81	110	10.97-10.01	■	
1.8 (AE112) (7A-FE)		Gasolina	FWD	1762	85	116	04.97-06.02	■	
1.8 (ZZE110) (1ZZ-FE)	for ABS, Japan	Gasolina	FWD	1794	93	126	09.99-06.02	■	
1.9 D (WZE110_, WZE110R) (1WZ)		Diesel	FWD	1867	51	69	02.00-11.01	■	
2.0 D (CE110_, CE110R) (2C-E)		Diesel	FWD	1975	53	72	04.97-02.00	■	
COROLLA VIII Compact (_E11_) 04.97-01.02							Hatchback (Compact executive car-D Segment)		
1.4 (ZZE111_, ZZE111R) (4ZZ-FE)		Gasolina	FWD	1398	71	97	10.99-01.02	■	
1.6 Aut. (AE111_, AE111R) (4A-FE)		Gasolina	FWD	1587	79	107	05.97-02.00	■	
1.6 (AE111_) (4A-FE)		Gasolina	FWD	1587	81	110	05.97-02.00	■	
1.6 (ZZE112_, ZZE112R) (3ZZ-FE)		Gasolina	FWD	1598	81	110	10.99-10.01	■	
COROLLA VIII LEVIN (_E11_) 05.95-07.00							Coupe (Compact executive car-D Segment)		
1.5 (AE110) (5A-FE)		Gasolina	FWD	1498	74	101	06.95-04.98	■	
SPRINTER VII (_E1_) 06.91-11.02							Saloon (Compact executive car-D Segment)		
2.2 D (CE113) (3CE)		Diesel	FWD	2184	59	80	04.98-07.00	■	
SPRINTER CARIB VII (AE11_) 06.92-11.02							Estate (Compact executive car-D Segment)		
1.6 (AE111) (4A-FE)		Gasolina	FWD	1587	81	110	08.95-10.01	■	