

LISTA DE APLICACIONES - BUYERS GUIDE

181411

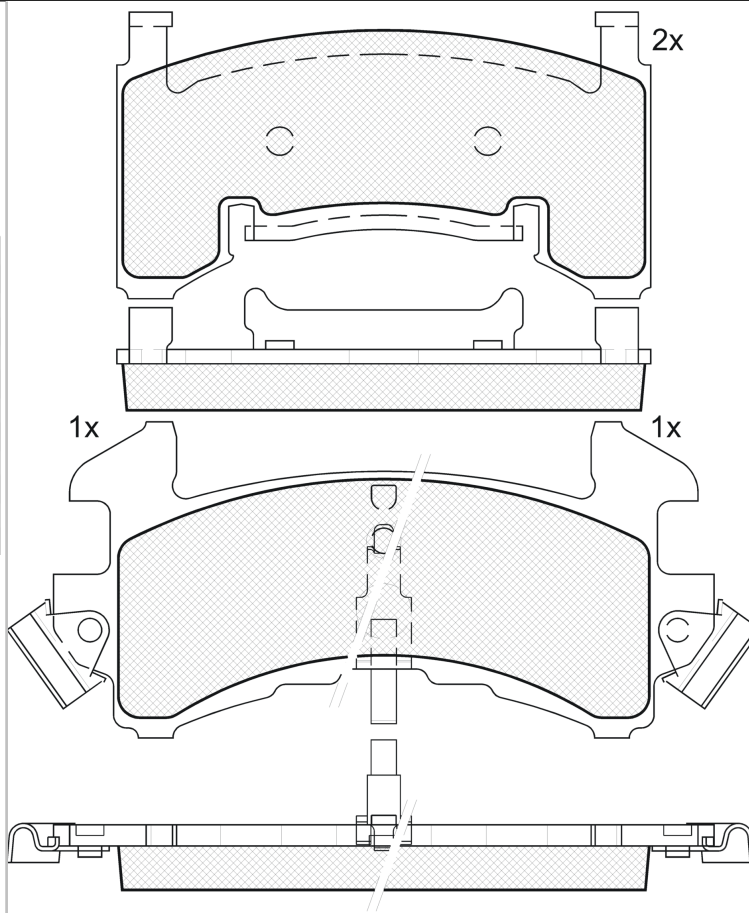


8 424073 083784

Qty: 300

Weight: 1.450

O.E.M.	MAKE
0115 5444	CADILLAC
1155 444	OLDSMOBILE
1230 0221	CADILLAC
1230 0227	OLDSMOBILE
1230 0228	CADILLAC
1230 0242	OLDSMOBILE
1232 1439	CHEVROLET
1251 0019	CHEVROLET
1800 9815	OLDSMOBILE
1802 8735	CHEVROLET
1915 2030	CHEVROLET



181411



Bendix

123.18x66.07x15

152.4x72.89x15

WVA	FMSI
24650	D154-7070A
24651	D767-7480A
24652	D767-7634

MAKE
BUICK
CADILLAC
CHEVROLET
CHRYSLER
GMC
OLDSMOBILE
PIERCE -ARROW-
PONTIAC



Trac.	CC	Kw	CV
-------	----	----	----



Front / Rear

BUICK

						Saloon (Large family car-D Segment)			
CENTURY III 09.77-12.81									
5.7 D (LF9)		Diesel	RWD	5736	77	105	04.78-12.79	■	
CENTURY IV (U.S.A.) 09.77-12.81						Coupe (Large family car-D Segment)			
3.8 Grand Sport	01/77-	Gasolina	FWD	3795	76	104	09.77-	■	
5.0	01/77-	Gasolina	FWD	4995			09.77-	■	
CENTURY IV (A) 09.77-12.81						Estate (Large family car-D Segment)			
3.8 Special (LD7)		Gasolina	RWD	3791	78	106	10.77-12.81	■	
5.0	01/77-	Gasolina	FWD	4995			09.77-	■	
CENTURY IV (U.S.A.) 09.77-12.81						Saloon (Large family car-D Segment)			
4.4	01/78-	Gasolina	FWD	4395			09.77-	■	
4.9	01/77-	Gasolina	FWD	4895			09.77-	■	
5.0 Special	01/78-	Gasolina	FWD	4995			09.77-	■	
REGAL (U.S.A.) 09.72-12.77						Coupe (Large family car-D Segment)			
3.8	01/75-	Gasolina	FWD	3795	127	173	09.72-	■	
REGAL II 09.81-12.83						Estate (Large family car-D Segment)			
4.3	01/81-	Gasolina	FWD	4295			09.81-	■	
REGAL II (U.S.A.) 09.78-12.87						Saloon (Large family car-D Segment)			
4.3	01/79-	Gasolina	FWD	4295			09.78-	■	
5.0	01/78-	Gasolina	FWD	4995			09.78-	■	
4.3	01/81-	Diesel	RWD	4295			09.78-	■	

LISTA DE APLICACIONES - BUYERS GUIDE

REGAL III 09.88-09.97					Saloon (Large family car-D Segment)			
3.8 (L27)		Gasolina	FWD	3791	127	173	10.91-09.94	■
RIVIERA VI 01.79-12.85					Saloon (Luxury car-F Segment)			
2.5 Europa	01/81-	Gasolina	FWD	2495	67	91	01.79-	■
2.5 Europa	01/85-	Gasolina	FWD	2495	67	91	01.79-	■ ■
3.8 Turbo	01/78-	Gasolina	FWD	3795	112	152	01.79-	■ ■
5.7	01/79-	Gasolina	FWD	5695	126	172	01.79-	■
5.7 S	01/85-	Gasolina	FWD	5695	126	172	01.79-	■ ■
6.6	01/79-	Gasolina	FWD	6595	149	203	01.79-	■
CADILLAC								
BROUGHAM 01.71-					Saloon (Luxury car-F Segment)			
All models	01/79-	Gasolina	FWD				01.71-	■
FLEETWOOD 09.76-12.86					Saloon (Luxury car-F Segment)			
6.0	01/79-	Gasolina	FWD	5995			09.76-	■
7.0	01/78-	Gasolina	FWD	6995			09.76-	■
SEVILLE (U.S.A.) 09.75-12.79					Saloon (Luxury car-F Segment)			
5.7	01/79-	Gasolina	FWD	5695			09.75-	■
6.0	01/79-	Gasolina	FWD	5995			09.75-	■
SEVILLE II (U.S.A.) 08.79-12.85					Saloon (Luxury car-F Segment)			
4.1	01/81-	Gasolina	FWD	4095	95	129	09.85-	■
5.7	01/80-	Gasolina	FWD	5695			09.85-	■ ■
6.0	01/80-	Gasolina	FWD	5995			09.85-	■ ■
5.7 D (LF9)		Diesel	FWD	5736	77	105	08.79-12.85	■
5.7 D (LF9)	01/80-	Diesel	FWD	5736	77	105	08.79-12.85	■
CHEVROLET								
BLAZER III K5 10.91-04.97					Closed Off-Road Vehicle (Luxury Crossover SUV-J Segment)			
4.3 V6	01/94-	Gasolina	FWD	4295	106	144	10.91-	■
BLAZER S10 09.82-12.94					SUV (Luxury Crossover SUV-J Segment)			
2.5	01/85-	Gasolina	FWD	2495	73	99	09.82-	■
2.8 AWD (LR2)		Gasolina	4WD	2838	93	126	09.82-09.93	■
4.3 V6	01/86-	Gasolina	FWD	4295	106	144	09.82-	■
4.3 (LB4)		Gasolina	4WD	4300	115	156	09.88-08.94	■
BLAZER S10 II / GRAND BLAZER 10.93-09.05					Closed Off-Road Vehicle (Luxury Crossover SUV-J Segment)			
2.2 (L43)		Gasolina	RWD	2190	84	114	10.94-05.05	■
2.2 AWD (L43)		Gasolina	4WD	2190	84	114	10.94-05.05	■
2.2 AWD (LN2)		Gasolina	4WD	2190	90	122	10.94-09.97	■
2.2		Gasolina	RWD	2198	103	140	10.94-05.05	■
2.2 AWD		Gasolina	4WD	2198	103	140	10.94-05.05	■
4.3 AWD (LB4)		Gasolina	4WD	4300	119	162	10.94-09.95	■
4.3 AWD (L35(262CUL6))		Gasolina	4WD	4300	142	193	09.94-09.05	■
4.3 AWD (LU3)		Gasolina	4WD	4300	142	193	09.94-09.05	■
4.3 AWD (L35(262CUL6))		Gasolina	4WD	4300	142	193	10.94-08.02	■
4.3 AWD (LU3)		Gasolina	4WD	4300	142	193	10.94-08.02	■
4.3 V6 AWD (L35(262CUL6))	-12/97	Gasolina	4WD	4300	142	193	01.94-09.05	■
2.5 D (4JA1)		Diesel	RWD	2499	81	110	10.94-05.05	■
CAMARO II 09.69-12.81					Coupe (Pony car-F Segment)			
5.0 (LG4)	01/79-	Gasolina	RWD	5002	110	150	01.70-12.81	■

LISTA DE APLICACIONES - BUYERS GUIDE

CAMARO III 09.81-12.92						Convertible (Pony car-F Segment)			
2.8 RS	01/85-	Gasolina	FWD	2795	101	137	09.81-	■	
3.1 RS	01/89-	Gasolina	FWD	3095	103	140	09.86-	■	■
CAMARO III (FP_) 06.81-12.92						Coupe (Pony car-F Segment)			
2.5 (LQ8)		Gasolina	RWD	2471	66	90	10.81-09.86	■	
2.8 (LC1)		Gasolina	RWD	2838	76	103	10.81-09.86	■	
2.8 (LE2(CU173V6))		Gasolina	RWD	2838	76	103	10.81-09.86	■	
3.1 (LHO)		Gasolina	RWD	3135	103	140	10.89-09.92	■	■
4.1	01/82-	Gasolina	FWD	4095			06.81-	■	
5.0		Gasolina	FWD	4998	171	233	10.89-09.92	■	
5.0 (L69)		Gasolina	RWD	5001	119	162	10.83-09.86	■	
5.0 (LG4)		Gasolina	RWD	5002	112	152	12.81-12.92	■	
5.0 (LG4)	01/86-	Gasolina	RWD	5002	112	152	12.81-12.92		■
5.0 (LO3)		Gasolina	RWD	5002	127	173	10.87-09.92	■	
5.0 (LB9)		Gasolina	RWD	5002	130	177	10.81-09.86	■	
5.0 (LB9)		Gasolina	RWD	5002	157	213	10.86-09.89	■	
5.0 (LB9)	-12/87	Gasolina	RWD	5002	157	213	10.86-09.89		■
5.0 (LB9)		Gasolina	RWD	5002	160	218	10.86-09.89	■	
5.0 (LB9)	-12/87	Gasolina	RWD	5002	160	218	10.86-09.89		■
5.7 (L98(350CUV8))	-12/88	Gasolina	RWD	5733	168	228	10.84-09.92	■	■
5.7 (L98(350CUV8))	-12/88	Gasolina	RWD	5733	182	247	05.86-09.89	■	■
MALIBU II-IV 09.77-12.83						Saloon (Executive car-E Segment)			
3.7 (LC3(229CUV6))	-12/82	Gasolina	RWD	3751	81	110	01.80-12.83	■	
5.0 (LG4)	-12/82	Gasolina	RWD	5002	110	150	01.80-12.83	■	
MALIBU IV (U.S.A.) 09.77-12.83						Saloon (Executive car-E Segment)			
3.3 Classic	01/78-	Gasolina	FWD	3295			09.77-	■	
5.7 Classic	01/78-	Gasolina	FWD	5695			09.77-	■	
MONTE CARLO 09.69-12.72						Coupe (Luxury car-F Segment)			
3.8 (LC3(229CUV6))		Gasolina	RWD	3751	83	113	01.70-12.72	■	
MONTE CARLO I-III 09.72-12.77						Coupe (Luxury car-F Segment)			
4.4	01/78-	Gasolina	FWD	4395			09.72-	■	
5.0	01/78-	Gasolina	FWD	4995			09.72-	■	
MONTE CARLO IV (U.S.A.) 09.80-12.88						Coupe (Luxury car-F Segment)			
4.4	01/81-	Gasolina	FWD	4395			09.80-	■	
5.0	01/81-	Gasolina	FWD	4995			09.80-	■	
S10 I 09.81-09.91						Pickup (Pick-Up Truck)			
2.5	01/87-	Gasolina	FWD	2495	73	99	09.81-	■	
2.8 (LR2)		Gasolina	RWD	2838	83	113	09.82-09.85	■	
2.8 AWD (LL1)		Gasolina	4WD	2838	98	133	10.85-09.91	■	
4.3 V6 4WD	01/86-	Gasolina	FWD	4295	106	144	09.81-	■	
4.3 V6 4WD	01/94-	Gasolina	FWD	4295	106	144	09.81-	■	
4.3 AWD (LB4)		Gasolina	4WD	4300	119	162	10.87-09.91	■	
2.2 D AWD (LQ7)		Diesel	4WD	2238	68	92	10.83-09.85	■	
S10 II 09.93-12.04						Pickup (Pick-Up Truck)			
2.2 (L43)		Gasolina	RWD	2190	84	114	10.94-12.04	■	
2.2 4x4 (L43)		Gasolina	4WD	2190	84	114	10.94-12.04	■	
2.2 (LN2)		Gasolina	RWD	2190	88	120	09.93-12.03	■	
2.2 (LN2)		Gasolina	RWD	2190	90	122	10.94-09.98	■	

LISTA DE APLICACIONES - BUYERS GUIDE

2.2 4x4 (LN2)		Gasolina	4WD	2190	90	122	10.94-09.98	■	
4.3 4x4 (LB4)		Gasolina	4WD	4300	119	162	10.94-09.95	■	
4.3 4x4 (LF6(262CUV6))		Gasolina	4WD	4300	127	173	10.95-09.98	■	
4.3 (L35(262CUL6))		Gasolina	RWD	4300	134	182	01.96-12.03	■	
4.3 (L35(262CUL6))		Gasolina	RWD	4300	142	193	10.94-12.04	■	
4.3 4WD (L35(262CUL6))		Gasolina	4WD	4300	142	193	09.95-12.02	■	
4.3 4WD (LU3)		Gasolina	4WD	4300	142	193	09.02-12.04	■	
4.3 4x4 (L35(262CUL6))		Gasolina	4WD	4300	142	193	10.94-08.02	■	
2.5 TDCi	-12/98	Diesel	RWD	2501	87	118	10.94-12.04	■	
S10 I-II (U.S.A.) 09.93-12.04					Pickup (Pick-Up Truck)				
2.2 (LN2)		Gasolina	RWD	2190	89	121	09.93-12.03	■	
4.3 4WD (L35(262CUL6))		Gasolina	4WD	4300	134	182	09.95-12.96	■	
4.3 (L35(262CUL6))		Gasolina	RWD	4300	142	193	09.94-12.95	■	
4.3 4WD (L35(262CUL6))		Gasolina	4WD	4300	142	193	09.95-12.03	■	
CHRYSLER									
PROWLER (U.S.A.) 09.00-12.02					Convertible (Sports car-S Segment)				
3.8	01/78-	Gasolina	FWD	3795	127	173	09.00-	■	
SERIES 62 (U.S.A.) 09.27-12.28					Saloon ()				
4.1	01/81-	Gasolina	FWD	4095	95	129	09.27-	■	
5.7	01/79-	Gasolina	FWD	5695			09.27-	■	
6.0	01/79-	Gasolina	FWD	5995			09.27-	■	
7.0 Biarritz	01/79-	Gasolina	FWD	6995			09.27-	■	
8.2	01/79-	Gasolina	FWD	8195			09.27-	■	
GMC									
S15 JIMMY SUV 09.82-12.94					SUV (Pick-Up Truck)				
4.3 (LB4)		Gasolina	RWD	4300	110	150	01.89-12.94	■	
4.3 AWD (LB4)		Gasolina	4WD	4300	110	150	01.89-12.94	■	
OLDSMOBILE									
BRAVADA 01.93-					Closed Off-Road Vehicle (Luxury Crossover SUV-J Segment)				
4.3	01/93-	Gasolina	FWD	4295	146	198	01.93-	■	
CUTLASS IV 01.74-					Coupe (Executive car-E Segment)				
5.7	01/78-	Gasolina	FWD	5695			01.74-	■	
CUTLASS IV 01.74-					Saloon (Executive car-E Segment)				
2.8 Cruiser	01/86-	Gasolina	FWD	2795	93	127	01.74-	■	
3.8 Cruiser	01/83-	Gasolina	FWD	3795	124	169	01.74-	■	
4.3	01/78-	Gasolina	FWD	4295			01.74-	■	
5.0	01/78-	Gasolina	FWD	4995			01.74-	■	
5.7	01/78-	Gasolina	FWD	5695			01.74-	■	
5.7 Cruiser	01/78-	Gasolina	FWD	5695			01.74-	■	
4.3 D	01/78-	Diesel	RWD	4295			01.74-	■	
CUTLASS CALAIS V 01.78-					Saloon (Executive car-E Segment)				
4.3	01/78-	Gasolina	FWD	4295			01.78-	■	
5.7	01/78-	Gasolina	FWD	5695			01.78-	■	
CUTLASS SUPREME IV 01.74-					Coupe (Executive car-E Segment)				
4.3	01/78-	Gasolina	FWD	4295			01.74-	■	
5.0	01/78-	Gasolina	FWD	4995			01.74-	■	
5.7	01/78-	Gasolina	FWD	5695			01.74-	■	

LISTA DE APLICACIONES - BUYERS GUIDE

TORONADO II 01.73-						Saloon (Luxury car-F Segment)			
3.8	01/82-	Gasolina	FWD	3795	104	141	01.73-	■	
5.0 XS, XSR	01/79-	Gasolina	FWD	4995			01.73-	■	
5.7 XS, XSR	01/79-	Gasolina	FWD	5695			01.73-	■	
PIERCE -ARROW-									
SILVER ARROW (U.S.A.) 09.33-12.34						Saloon ()			
2.5 Custom	01/82-	Gasolina	FWD	2495			09.33-	■	
5.7 D Custom	01/82-	Diesel	RWD	5695			09.33-	■	
PONTIAC									
BONNEVILLE VIII 09.81-12.83						Estate (Luxury car-F Segment)			
2.5 Custom	01/82-	Gasolina	FWD	2495			09.81-	■	
FIREBIRD II (U.S.A.) 09.69-12.81						Coupe (Sports car-S Segment)			
2.8	01/89-	Gasolina	FWD	2795	93	126	09.69-	■	
4.9 Trans Am, Turbo Trans Am	01/79-	Gasolina	FWD	4895			09.69-	■	
5.7 Trans Am	01/89-	Gasolina	FWD	5695	132	179	09.69-	■	
6.6 Trans Am	01/76-	Gasolina	FWD	6595			09.69-	■	
7.5 Trans Am	01/79-	Gasolina	FWD	7495			09.69-	■	
FIREBIRD III (U.S.A.) 09.88-12.92						Convertible (Sports car-S Segment)			
3.1	01/89-	Gasolina	FWD	3095	104	141	09.88-	■	
FIREBIRD III 09.81-12.92						Coupe (Sports car-S Segment)			
2.8 (LB6)		Gasolina	RWD	2836	93	126	01.85-12.89	■ ■	
2.8 (LE2(CU173V6))		Gasolina	RWD	2838	84	114	01.82-12.84	■	
3.1		Gasolina	FWD	3135	104	141	01.87-12.89	■ ■	
4.4		Gasolina	FWD	4389	86	117	01.82-12.85	■ ■	
5.0 (LG4)		Gasolina	RWD	5002	112	152	12.81-10.89	■	
5.0 (LO3)		Gasolina	RWD	5002	127	173	09.87-10.92	■	
5.0 (LG8(306CUV8))	-12/91	Gasolina	RWD	5012	145	197	01.90-10.92	■	
5.7 i (L98(350CUV8))	-12/91	Gasolina	RWD	5733	179	243	01.90-10.92	■	
5.7		Gasolina	RWD	5735	125	170	01.82-12.86	■	
5.7	01/85-	Gasolina	RWD	5735	125	170	01.82-12.86	■	
5.7		Gasolina	RWD	5737	132	179	01.83-12.89	■	
5.7	01/85-	Gasolina	RWD	5737	132	179	01.83-12.89	■	
GRAND AM I-V (U.S.A.) 09.72-12.75						Coupe (Compact car-C Segment)			
4.9	01/78-	Gasolina	FWD	4895			09.72-	■	
6.6 Luxury	01/78-	Gasolina	FWD	6595			09.72-	■	
GRAND LEMANS IV 09.74-12.77						Estate (Executive car-E Segment)			
5.7 Custom	01/78-	Gasolina	FWD	5695			09.74-	■	
GRAND LEMANS V (U.S.A.) 09.77-12.83						Saloon (Executive car-E Segment)			
3.8	01/79-	Gasolina	FWD	3795			09.77-	■	
4.9	01/79-	Gasolina	FWD	4895			09.77-	■	
5.0	01/78-	Gasolina	FWD	4995			09.77-	■	
5.7 Custom	01/78-	Gasolina	FWD	5695			09.77-	■	
GRAND PRIX IV (U.S.A.) 09.77-12.87						Coupe (Executive car-E Segment)			
3.8 LE, LJ, SJ	01/78-	Gasolina	FWD	3795			09.77-	■	
4.4 LE, LJ	01/81-	Gasolina	FWD	4395			09.77-	■	
4.9 LJ, SJ	01/78-	Gasolina	FWD	4895			09.77-	■	
6.6 LJ, SJ	01/78-	Gasolina	FWD	6595			09.77-	■	

LISTA DE APLICACIONES - BUYERS GUIDE

LE MANS I-IV (U.S.A.) 09.63-12.67					Saloon (Executive car-E Segment)			
3.8	01/79-	Gasolina	FWD	3795			09.63-	■
4.9	01/79-	Gasolina	FWD	4895			09.63-	■
5.0	01/78-	Gasolina	FWD	4995			09.63-	■