

LISTA DE APLICACIONES - BUYERS GUIDE

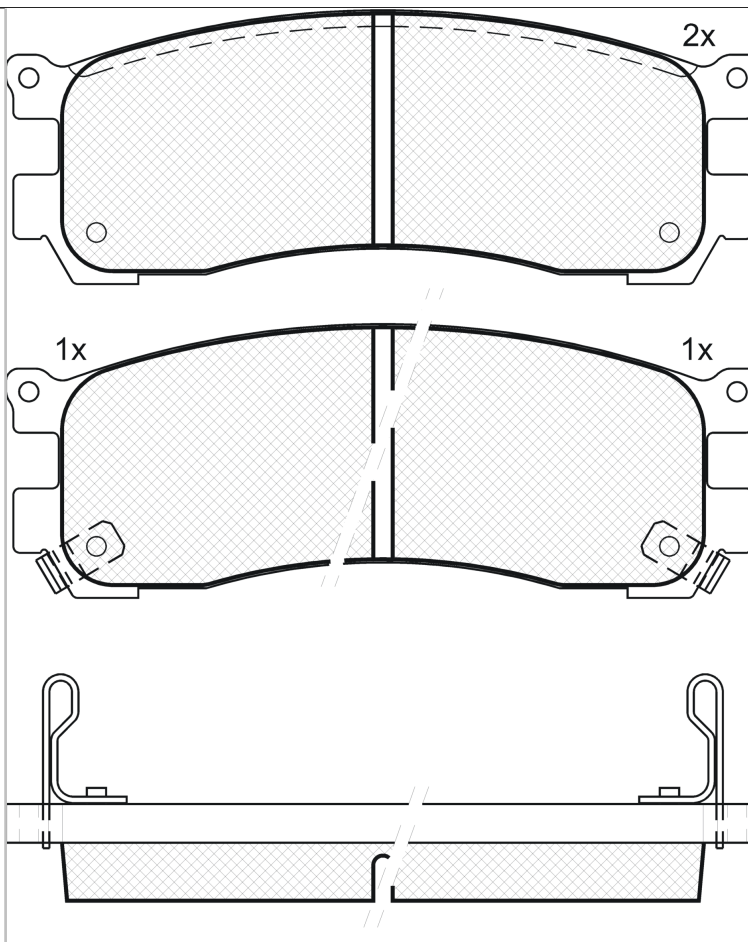
181417



8 424073 083814

Qty: 944

Weight: 918



181417



E 9 90R-01110/501

Akebono

117.1x42.5x14.9

WVA

21320

21321

21569

FMSI

D553-7521

MAKE

EUNOS

MAZDA



Trac.

CC

Kw

CV



Front / Rear

EUNOS

800 (E65, TA) 09.93-12.02

Saloon (Executive car-E Segment)

Model	Trac.	CC	Kw	CV	Year Range	Front	Rear
2.0	Gasolina	FWD	1995	105	143	09.93-06.96	■
2.3 Miller	Gasolina	FWD	2255	147	200	09.93-06.96	■
2.3 Miller (TA3A, TA3P) (KJ15)	Gasolina	FWD	2255	155	211	07.96-07.98	■
2.5 (KLZ5)	Gasolina	FWD	2497	120	163	09.00-12.02	■
2.5 (KL68)	Gasolina	FWD	2497	123	167	09.93-08.00	■

MAZDA

929 IV / LUCE (HC) 05.87-08.91

Saloon (Luxury car-F Segment)

Model	Trac.	CC	Kw	CV	Year Range	Front	Rear
2.0 (HCEP) (FE (8V))	Gasolina	RWD	1998	85	115	06.87-05.89	■
2.0 (HCEP) (FEFA)	Gasolina	RWD	1998	85	115	06.87-05.89	■
2.2 12V (F2-C)	Gasolina	RWD	2184	94	128	04.89-06.91	■
2.2 i (F2-EGI)	Gasolina	RWD	2184	100	136	05.87-12.88	■
3.0 i (HCSS) (JE3)	Gasolina	RWD	2954	123	167	01.90-06.91	■
3.0	Gasolina	FWD	2995			01/91-05.87-	■

929 V (HD) 01.90-03.96

Saloon (Luxury car-F Segment)

Model	Trac.	CC	Kw	CV	Year Range	Front	Rear
3.0 (JE34)	Gasolina	RWD	2954	123	167	12.90-09.92	■
3.0 (JE35)	Gasolina	RWD	2954	123	167	12.90-09.92	■
3.0 i (HDES) (JEZE)	Gasolina	RWD	2954	140	190	07.91-03.96	■

XEDOS 9 / EUNOS 800 / MILLENIA (TA) 07.93-09.02

Saloon (Executive car-E Segment)

Model	Trac.	CC	Kw	CV	Year Range	Front	Rear
2.0 24V (KF)	Gasolina	FWD	1995	105	143	08.93-01.00	■
2.0 (TAFP)	Gasolina	FWD	1995	118	160	08.98-08.02	■
2.3 24V (TA3P) (KJ -ZEM)	Gasolina	FWD	2255	155	211	02.95-01.00	■
2.5 (TA5P) (KL-ZE)	Gasolina	FWD	2496	147	200	09.00-09.02	■

LISTA DE APLICACIONES - BUYERS GUIDE

2.5 V6 (TA5P) (KL)		Gasolina	FWD	2497	120	163	07.00-09.02	■
2.5 24V (TA5P) (KL)		Gasolina	FWD	2497	123	167	07.93-07.00	■