

LISTA DE APLICACIONES - BUYERS GUIDE

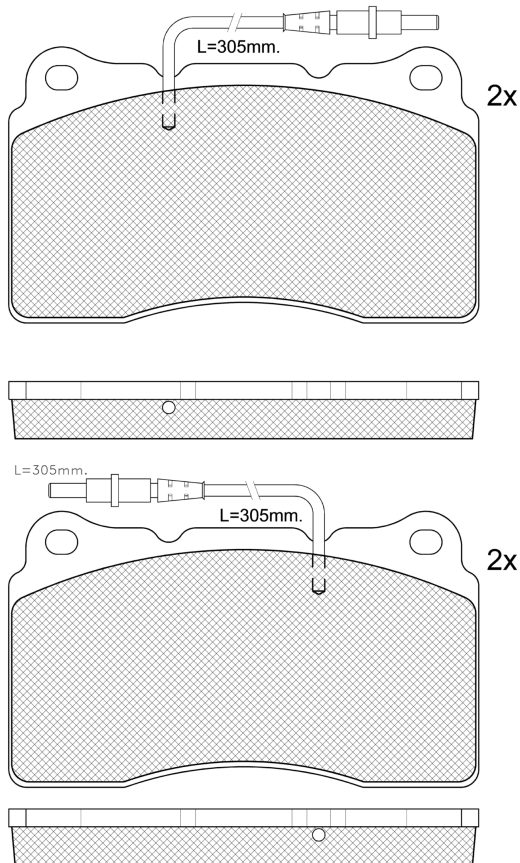
181424



Qty: 300

Weight: 2.220

O.E.M.	MAKE
4252.07	PEUGEOT
4252.54	PEUGEOT
4254.60	PEUGEOT
86 60 004 721	RENAULT
86 71 016 684	RENAULT



181424

E 9 90R-01111/409



Brembo

131.65x77.3x16

WVA	FMSI
23575	D1484-8682
23576	
MAKE	
CITROËN	
PEUGEOT	



Trac.	CC	Kw	CV			Front / Rear
-------	----	----	----	--	--	--------------

CITROËN

C8 (EA_, EB_) 06.02-	Box Body/MPV (LCVs-N1 Segment)						
3.0 (EBXFWF, EAXFWF)	Gasolina	FWD	2946	150	204	11.03-10.07	■

PEUGEOT

208 (CA_, CC_) 03.12-	Hatchback (Supermini car-B Segment)							
1.4	discØ 302	Gasolina	FWD	1449	66	90	01.13-	■
1.6 (EC5F)	discØ 302	Gasolina	FWD	1587	85	116	01.13-12.19	■
1.6 Flex	discØ 302	Gasolina	FWD	1587	90	122	01.13-	■
1.4 GPL (EP3C)	discØ 302	Gasol./Gas (LPG)	FWD	1397	70	95	10.13-12.19	■
1.5 Flex	discØ 302	Gasol./Etanol	FWD	1449	68	92	01.13-12.16	■

3008 (0U_) 05.09-12.17	MPV (Compact MPV-M1 Segment)						
2.0 HDi (RHD (DW10CB))	Diesel	FWD	1997	100	136	09.11-08.16	■

607 (9D, 9U) 01.00-	Saloon (Executive car-E Segment)							
2.2 16V (3FY (EW12J4))	Gasolina	FWD	2230	120	163	09.05-06.10	■	
3.0 V6 24V (XFX (ES9J4S))	Gasolina	FWD	2946	152	207	02.00-07.04	■	
3.0 V6 24V (XFX (ES9A))	01/06-	Gasolina	FWD	2946	155	211	03.04-07.11	■
3.0 V6 24V (XFX (ES9J4S))	01/06-	Gasolina	FWD	2946	155	211	03.04-07.11	■
2.0 HDi (RHR (DW10BTED4))	-12/10	Diesel	FWD	1997	100	136	09.05-07.11	■
2.2 HDi (4HT (DW12BTED4))		Diesel	FWD	2179	125	170	05.06-06.10	■
2.7 HDi 24V (DT17TED4)	-12/10	Diesel	FWD	2721	150	204	12.04-07.11	■

807 (EB_) 06.02-	MPV (Large MPV-M1 Segment)						
3.0 V6 (XFX (ES9J4S))	Gasolina	FWD	2946	150	204	06.02-	■

LISTA DE APLICACIONES - BUYERS GUIDE