

LISTA DE APLICACIONES - BUYERS GUIDE

181431

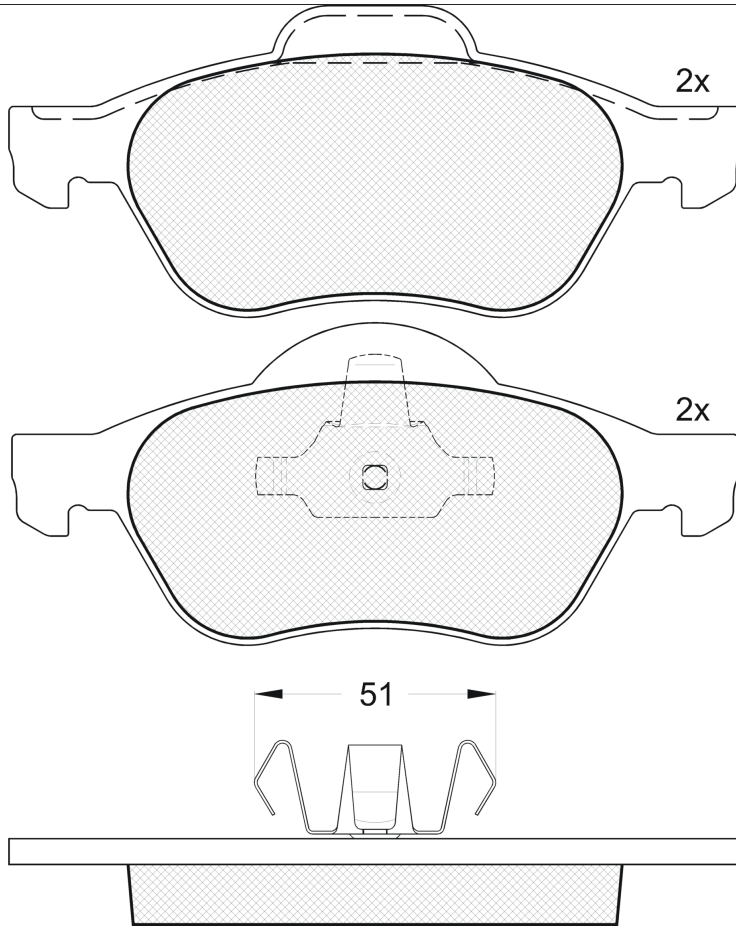


8 424073 083890

Qty: 300

Weight: 1.753

O.E.M.	MAKE
41 06 000 12R o.e.	RENAULT
41 06 076 90R	RENAULT
77 01 206 598	RENAULT
77 01 208 183	RENAULT
77 01 209 808	RENAULT
86 60 004 594	RENAULT
86 71 016 178	RENAULT



181431



90R-01111/545



Ate - Teves

155.2x68.9x18.3

156.3x66.5x18.3

WVA
23215
23216
23217
23861

MAKE
RENAULT



Trac.	CC	Kw	CV



Front / Rear

RENAULT

LAGUNA II (BG0/1_) 03.01-	Hatchback (Large family car-D Segment)						
1.6 (K4M 710)	Gasolina	FWD	1598	76	103	03.01-05.05	■
1.6 16V (BG0A, BG0L) (K4M 710)	Gasolina	FWD	1598	79	107	03.01-05.05	■
1.6 16V (BG0A, BG0L) (K4M 714)	Gasolina	FWD	1598	79	107	03.01-05.05	■
1.6 16V (BG1G, BG1H) (K4M 716)	Gasolina	FWD	1598	82	112	02.05-08.07	■
1.8 16V (BG06, BG0J, BG0M) (F4P 770)	Gasolina	FWD	1783	85	116	03.01-12.07	■
1.8 16V (BG06, BG0J, BG0M) (F4P 771)	Gasolina	FWD	1783	85	116	03.01-12.07	■
1.8 16V (BG06, BG0J, BG0M) (F4P 773)	Gasolina	FWD	1783	85	116	03.01-12.07	■
1.8 16V (BG06, BG0J, BG0M) (F4P 774)	Gasolina	FWD	1783	85	116	03.01-12.07	■
1.8 16V (BG06, BG0J, BG0M) (F4P 775)	Gasolina	FWD	1783	85	116	03.01-12.07	■
1.8 16V (BG04, BG0B, BG0C, BG0V) (F4P 770)	Gasolina	FWD	1783	86	117	03.01-05.05	■
1.8 16V (BG04, BG0B, BG0C, BG0V) (F4P 774)	Gasolina	FWD	1783	86	117	03.01-05.05	■
1.8 16V (BG0B, BG0M) (F4P 770)	Gasolina	FWD	1783	88	120	03.01-09.07	■
1.8 16V (BG0B, BG0M) (F4P 773)	Gasolina	FWD	1783	88	120	03.01-09.07	■
1.8 16V (BG0B, BG0C, BG0J, BG0M, BG0V) (F4P 770)	Gasolina	FWD	1783	89	121	03.01-05.05	■
1.8 16V (BG0B, BG0C, BG0J, BG0M, BG0V) (F4P 772)	Gasolina	FWD	1783	89	121	03.01-05.05	■
2.0 16V (BG00, BG0W, BG0K, BG0P) (F4R 712)	Gasolina	FWD	1998	98	133	08.02-12.06	■
2.0 16V (BG00, BG0W, BG0K, BG0P) (F4R 713)	Gasolina	FWD	1998	98	133	08.02-12.06	■
2.0 16V (BG00, BG0W, BG0K, BG0P) (F4R 714)	Gasolina	FWD	1998	98	133	08.02-12.06	■
2.0 16V (BG00, BG0W, BG0K, BG0P) (F4R 715)	Gasolina	FWD	1998	98	133	08.02-12.06	■

LISTA DE APLICACIONES - BUYERS GUIDE

2.0 16V (BG00, BG0K, BG0P, BG0W) (F4R 712)		Gasolina	FWD	1998	99	135	08.02-12.07	■	
2.0 16V (BG00, BG0K, BG0P, BG0W) (F4R 713)		Gasolina	FWD	1998	99	135	08.02-12.07	■	
2.0 16V (BG00, BG0K, BG0P, BG0W) (F4R 714)		Gasolina	FWD	1998	99	135	08.02-12.07	■	
2.0 16V (BG00, BG0K, BG0P, BG0W) (F4R 715)		Gasolina	FWD	1998	99	135	08.02-12.07	■	
2.0 16V IDE (BG0N) (F5R 700)		Gasolina	FWD	1998	103	140	04.01-09.07	■	
2.0 16V IDE (BG0N) (F5R 701)		Gasolina	FWD	1998	103	140	04.01-09.07	■	
1.6 LPG (K4M 714)		Gasol./Gas (LPG)	FWD	1598	79	107	03.01-05.05	■	
1.9 dCi (BG05) (F9Q 664)		Diesel	FWD	1870	68	92	03.04-05.05	■	
1.9 dCi (BG0R, BG0E) (F9Q 754)		Diesel	FWD	1870	74	100	10.01-05.05	■	
1.9 dCi (BG0E) (F9Q 752)		Diesel	FWD	1870	77	105	06.01-05.05	■	
1.9 dCi (F9Q 718)	01/03-	Diesel	FWD	1870	79	107	03.01-09.07	■	
1.9 dCi (F9Q 754)	01/03-	Diesel	FWD	1870	79	107	03.01-09.07	■	
1.9 dCi (BG1A, BG1W, BG0G) (F9Q 674)		Diesel	FWD	1870	81	110	01.05-08.07	■	
1.9 dCi (BG1A, BG1W, BG0G) (F9Q 758)		Diesel	FWD	1870	81	110	01.05-08.07	■	
1.9 dCi (BG12) (F9Q 750)	Rim 16	Diesel	FWD	1870	85	116	09.05-12.07	■	
1.9 dCi (BG12) (F9Q 758)	Rim 16	Diesel	FWD	1870	85	116	09.05-12.07	■	
1.9 dCi (BG12) (F9Q 759)	Rim 16	Diesel	FWD	1870	85	116	09.05-12.07	■	
1.9 dCi (BG08, BG0G) (F9Q 650)		Diesel	FWD	1870	88	120	03.01-09.07	■	
1.9 dCi (BG08, BG0G) (F9Q 670)		Diesel	FWD	1870	88	120	03.01-09.07	■	
1.9 dCi (BG08, BG0G) (F9Q 674)		Diesel	FWD	1870	88	120	03.01-09.07	■	
1.9 dCi (BG08, BG0G) (F9Q 750)		Diesel	FWD	1870	88	120	03.01-09.07	■	
1.9 dCi (BG1A, BG1V) (F9Q 758)		Diesel	FWD	1870	96	130	05.05-08.07	■	
1.9 dCi (BG1A, BG1V) (F9Q 759)		Diesel	FWD	1870	96	130	05.05-08.07	■	
LAGUNA II Grandtour (KG0/1_) 03.01-							Estate (Large family car-D Segment)		
1.6 (K4M 710)		Gasolina	FWD	1598	76	103	03.01-10.05	■	
1.6 16V (KG0A, KG0L) (K4M 710)		Gasolina	FWD	1598	79	107	03.01-12.07	■	
1.6 16V (KG0A, KG0L) (K4M 714)		Gasolina	FWD	1598	79	107	03.01-12.07	■	
1.6 16V (K4M 716)		Gasolina	FWD	1598	82	112	02.05-08.07	■	
1.8 16V (KG0J) (F4P 770)		Gasolina	FWD	1783	85	116	03.01-05.05	■	
1.8 16V (KG0J) (F4P 771)		Gasolina	FWD	1783	85	116	03.01-05.05	■	
1.8 16V (KG0J) (F4P 774)		Gasolina	FWD	1783	85	116	03.01-05.05	■	
1.8 16V (KG0J) (F4P 775)		Gasolina	FWD	1783	85	116	03.01-05.05	■	
1.8 16V (F4P 770)		Gasolina	FWD	1783	86	117	03.01-05.05	■	
1.8 16V (KG0B, KG0M) (F4P 770)		Gasolina	FWD	1783	88	120	03.01-05.05	■	
1.8 16V (KG0B, KG0M) (F4P 773)		Gasolina	FWD	1783	88	120	03.01-05.05	■	
1.8 16V (F4P 770)		Gasolina	FWD	1783	89	121	03.01-05.05	■	
1.8 16V (F4P 774)		Gasolina	FWD	1783	89	121	03.01-05.05	■	
2.0 16V (KG00, KG0K, KG0W, KG0P) (F4R 712)	discØ 280, Rim 16	Gasolina	FWD	1998	98	133	10.04-09.07	■	
2.0 16V (KG00, KG0K, KG0W, KG0P) (F4R 713)	discØ 280, Rim 16	Gasolina	FWD	1998	98	133	10.04-09.07	■	
2.0 16V (KG00, KG0K, KG0W, KG0P) (F4R 714)	discØ 280, Rim 16	Gasolina	FWD	1998	98	133	10.04-09.07	■	
2.0 16V (KG00, KG0K, KG0W, KG0P) (F4R 715)	discØ 280, Rim 16	Gasolina	FWD	1998	98	133	10.04-09.07	■	
2.0 16V (KG00, KG0K, KG0W, KG0P) (F4R 712)		Gasolina	FWD	1998	99	135	08.02-12.07	■	
2.0 16V (KG00, KG0K, KG0W, KG0P) (F4R 713)		Gasolina	FWD	1998	99	135	08.02-12.07	■	
2.0 16V (KG00, KG0K, KG0W, KG0P) (F4R 714)		Gasolina	FWD	1998	99	135	08.02-12.07	■	
2.0 16V (KG00, KG0K, KG0W, KG0P) (F4R 715)		Gasolina	FWD	1998	99	135	08.02-12.07	■	

LISTA DE APLICACIONES - BUYERS GUIDE

2.0 16V IDE (KG0N) (F5R 700)		Gasolina	FWD	1998	103	140	04.01-09.07	■	
2.0 16V IDE (KG0N) (F5R 701)		Gasolina	FWD	1998	103	140	04.01-09.07	■	
1.6 BiFuel (K4M 714)		Gasol./Gas (LPG)	FWD	1598	79	107	06.05-12.07	■	
1.6 Flexfuel	discØ 280, Rim 16	Gasol./Etanol	FWD	1598	76	103	06.01-10.03	■	
1.9 dCi (F9Q 664)	Rim 16	Diesel	FWD	1870	66	90	08.03-09.07	■	
1.9 dCi (KG05) (F9Q 664)		Diesel	FWD	1870	68	92	03.04-05.05	■	
1.9 dCi (KG0E, KG0R) (F9Q 752)		Diesel	FWD	1870	74	100	10.01-05.05	■	
1.9 dCi (KG0E) (F9Q 752)		Diesel	FWD	1870	77	105	06.01-05.05	■	
1.9 dCi (F9Q 754)	01/03-	Diesel	FWD	1870	79	107	03.01-12.07	■	
1.9 dCi (KG1A, KG1W, KG0G) (F9Q 674)		Diesel	FWD	1870	81	110	01.05-12.07	■	
1.9 dCi (KG1A, KG1W, KG0G) (F9Q 758)		Diesel	FWD	1870	81	110	01.05-12.07	■	
1.9 dCi (KG12) (F9Q 758)	Rim 16	Diesel	FWD	1870	85	116	08.05-09.07	■	
1.9 dCi (KG12) (F9Q 759)	Rim 16	Diesel	FWD	1870	85	116	08.05-09.07	■	
1.9 dCi (KG0G) (F9Q 670)		Diesel	FWD	1870	88	120	03.01-09.07	■	
1.9 dCi (KG0G) (F9Q 674)		Diesel	FWD	1870	88	120	03.01-09.07	■	
1.9 dCi (KG0G) (F9Q 750)		Diesel	FWD	1870	88	120	03.01-09.07	■	
1.9 dCi (F9Q 750)	Rim 16	Diesel	FWD	1870	92	125	09.05-12.07	■	
1.9 dCi (KG1V) (F9Q 758)		Diesel	FWD	1870	96	130	05.05-12.07	■	
1.9 dCi (KG1V) (F9Q 759)		Diesel	FWD	1870	96	130	05.05-12.07	■	
LAGUNA III (DT0/1) 09.08-					Coupe (Large family car-D Segment)				
1.5 dCi (K9K 846)		Diesel	FWD	1461	81	110	03.12-12.15	■	
LAGUNA III (BT0/1) 10.07-					Hatchback (Large family car-D Segment)				
1.6 16V (BT04, BT0D, BT0U) (K4M 824)		Gasolina	FWD	1598	81	110	10.07-12.15	■	
1.5 dCi (BT00, BT0A, BT0T, BT1J) (K9K 780)		Diesel	FWD	1461	81	110	10.07-12.15	■	
1.5 dCi (BT00, BT0A, BT0T, BT1J) (K9K 782)		Diesel	FWD	1461	81	110	10.07-12.15	■	
LAGUNA III Grandtour (KT0/1) 10.07-					Estate (Large family car-D Segment)				
1.6 16V (KT0D) (K4M 824)		Gasolina	FWD	1598	81	110	10.07-12.15	■	
1.5 dCi (KT0A, KT0R, KT02) (K9K 780)		Diesel	FWD	1461	81	110	10.07-12.15	■	
1.5 dCi (KT0A, KT0R, KT02) (K9K 782)		Diesel	FWD	1461	81	110	10.07-12.15	■	
1.5 dCi (KT0A, KT0R, KT02) (K9K 846)		Diesel	FWD	1461	81	110	10.07-12.15	■	
MEGANE II (EM0/1_) 09.03-03.10					Convertible (Compact car-C Segment)				
1.6 (K4M 788)		Gasolina	FWD	1598	77	105	06.05-03.09	■	
MEGANE II (KM0/1_) 08.03-08.12					Estate (Compact car-C Segment)				
1.4 (K4J 730)	01/05-	Gasolina	FWD	1390	72	98	08.03-07.09	■	
1.4 (K4J 740)	01/05-	Gasolina	FWD	1390	72	98	08.03-07.09	■	
MEGANE II (LM0/1_) 08.03-					Saloon (Compact car-C Segment)				
1.4 (K4J 732)	01/05-	Gasolina	FWD	1390	60	82	09.03-	■	
TWINGO II (CN0_) 03.07-					Hatchback (City car-A Segment)				
1.6 RS (CN0N, CN0R, CN0S) (K4M 854)		Gasolina	FWD	1598	98	133	05.08-09.14	■	
WIND (E4M_) 07.10-					Convertible (Compact car-C Segment)				
1.2 (E4MF) (D4F 782)		Gasolina	FWD	1149	74	101	07.10-05.11	■	
1.2 TCe 100 (E4MF) (D4F 780)		Gasolina	FWD	1149	75	102	02.11-08.13	■	
1.6 (E4MB, E4MC) (K4M 854)		Gasolina	FWD	1598	98	133	07.10-08.13	■	