

LISTA DE APLICACIONES - BUYERS GUIDE

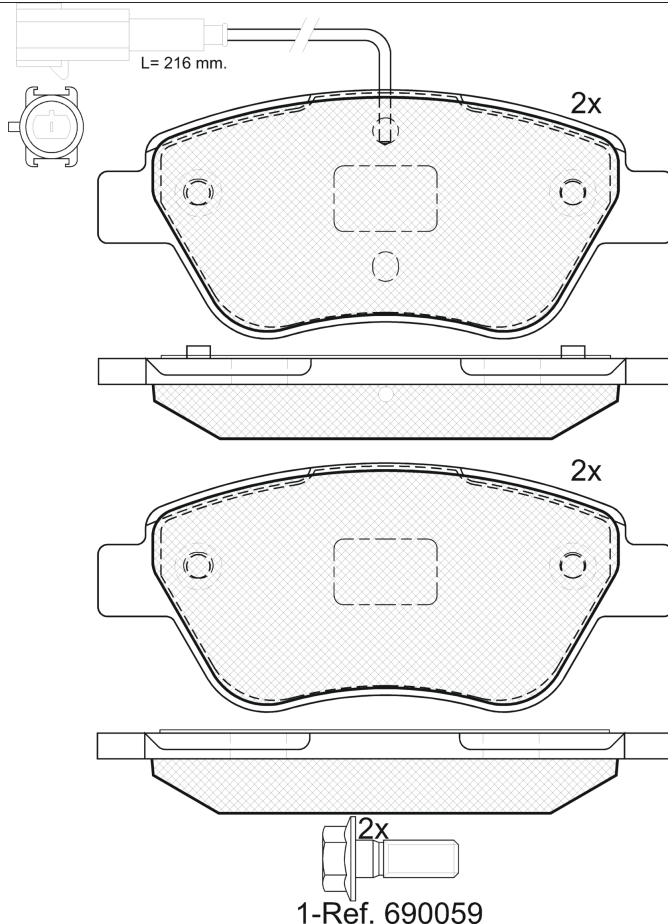
181444-203



Qty: 300

Weight: 1.385

O.E.M.	MAKE
16 092 532 80	CITROËN
16 172 833 80	PEUGEOT
16 364 127 80	PEUGEOT
4254.C8	PEUGEOT
7 177 009 8	FIAT
7 177 011 8	FIAT
7 736 546 5	FIAT
7 736 554 3	FIAT
7 736 585 7	FIAT
7 736 613 4	FIAT
7 736 613 5	FIAT
86 60 001 641	RENAULT
86 60 004 549	RENAULT



181444-203

E 9 90R-01111/2674



Bosch

122.9x53.2x17.8

WVA	FMSI
23705	D1616-9172
23706	
23707	
23979	
23982	

MAKE
ABARTH
ALFA ROMEO
CITROËN
FIAT
PEUGEOT



Trac.	CC	Kw	CV	Hourglass icon	Front / Rear

ABARTH

500C / 595C / 695C 05.08-

Convertible (City car-A Segment)

Model	Trac.	CC	Kw	CV	Year	Icon
1.4 (312.AXF1A, 312.AXF11, 312.AXD1A) (312 A1.000)	Gasolina	FWD	1368	118	160 05.11-	■
1.4 (312.AXF1A, 312.AXF11, 312.AXD1A) (312 A3.000)	Gasolina	FWD	1368	118	160 05.11-	■

ALFA ROMEO

MITO (955_) 08.08-

Hatchback (Supermini car-B Segment)

Model	Trac.	CC	Kw	CV	Year	Icon
0.9 TwinAir (955.AXW1B) (312 A2.000)	Gasolina	FWD	875	63	86 07.11-12.13	■
0.9 TwinAir (955.AXY1B, 955.AXZ1B) (199 B6.000)	Gasolina	FWD	875	74	101 12.13-08.18	■
0.9 TwinAir (955.AXY1B) (199 B6.000)	Gasolina	FWD	875	77	105 04.13-08.18	■
1.4 (955.AXV1A) (955 A9.000)	Gasolina	FWD	1368	51	69 05.11-10.18	■
1.4 (955.AXB1B, 955.AXU1A) (350 A1.000)	Gasolina	FWD	1368	57	78 03.11-10.18	■
1.4 (955.AXB1B) (955 A1.000)	Gasolina	FWD	1368	58	78 08.08-08.13	■
1.4 (955.AXB1B, 955.AXF1B) (199 A6.000)	Gasolina	FWD	1368	70	95 09.08-08.13	■
1.4 MultiAir (955.AXL1B) (955 A6.000)	Gasolina	FWD	1368	77	105 09.09-08.13	■

CITROËN

NEMO (AA_) 02.08-

Box Body/MPV (LCVs-N1 Segment)

Model	Trac.	CC	Kw	CV	Year	Icon
1.3 HDi 75 (FHZ (F13DTE5))	Diesel	FWD	1248	55	75 10.10-	■
1.3 BlueHDi 80 (FHY (F13DTE6))	Diesel	FWD	1248	59	80 02.16-	■

NEMO 04.09-

MPV ()

Model	Trac.	CC	Kw	CV	Year	Icon
1.3 HDi 75 (FHZ (F13DTE5))	Diesel	FWD	1248	55	75 10.10-	■
1.3 HDi 80 (FHY (F13DTE6))	Diesel	FWD	1248	59	80 10.15-	■

FIAT

LISTA DE APLICACIONES - BUYERS GUIDE

500 II (312_) 07.07-						Hatchback (City car-A Segment)			
0.9 (312AXM1B) (199 B6.000)	01/16-	Gasolina	FWD	875	77	105	10.13-	■	
1.4		Gasolina	FWD	1368	65	88	01.12-	■	
1.4 Flex		Gasolina	FWD	1368	65	88	01.12-	■	
1.4 (312AXC1B, 312CXC1B) (169 A3.000)	-01/16	Gasolina	FWD	1368	74	100	10.07-	■	
1.4 (301J410) (169 A3.000)		Gasolina	FWD	1368	75	102	09.08-	■	
1.4	-01/16	Gasolina	FWD	1368	77	105	02.09-	■	
1.4 Multiair		Gasolina	FWD	1368	77	105	08.11-	■	
1.4 Abarth		Gasolina	FWD	1368	123	167	11.14-	■	
1.3 D Multijet (312AYA1A) (312 B5.000)		Diesel	FWD	1248	57	78	06.16-	■	
1.3 D Multijet (312AXE1A) (199 B1.000)		Diesel	FWD	1248	70	95	12.09-	■	
1.3 D Multijet (312AXE1A) (312 B1.000)		Diesel	FWD	1248	70	95	12.09-	■	
500 C II (312_) 09.09-						Convertible (City car-A Segment)			
0.9 (312AXM1B) (199 B6.000)		Gasolina	FWD	875	77	105	12.13-	■	
1.4 (312CXC1B, 312AXC1B) (169 A3.000)		Gasolina	FWD	1368	74	100	06.09-	■	
1.4 (301J410) (169 A3.000)		Gasolina	FWD	1368	75	102	09.11-	■	
1.4 (301J410) (EAB)		Gasolina	FWD	1368	75	102	09.11-	■	
1.4 Multiair	Eq.V_ SS Gucci	Gasolina	FWD	1368	77	105	08.11-	■	
1.3 D Multijet (312CXE1A, 312AXE1A) (199 B1.000)		Diesel	FWD	1248	70	95	09.09-	■	
1.3 D Multijet (312CXE1A, 312AXE1A) (312 B1.000)		Diesel	FWD	1248	70	95	09.09-	■	
GRANDE PUNTO (199_) 10.05-06.13						Hatchback Van (Supermini car-B Segment)			
1.4 (199CXB1A, 199DXB1A) (350 A1.000)		Gasolina	FWD	1368	57	77	02.06-06.13	■	
1.4 LPG (199CXB1A, 199DXB1A) (350 A1.000)		Gasol./Gas (LPG)	FWD	1368	57	77	03.09-12.12	■	
1.4 Natural Power (199BXB1A) (350 A1.000)		Gasol./Gas (CNG)	FWD	1368	57	77	03.09-12.12	■	
GRANDE PUNTO (199_) 06.05-						Hatchback (Supermini car-B Segment)			
1.2 (199 A4.000)	01/10-	Gasolina	FWD	1242	48	65	10.05-	■	
1.2 (169 A4.000)		Gasolina	FWD	1242	51	69	09.10-	■	
1.4 (199AXB1A) (199 A7.000)		Gasolina	FWD	1368	55	75	10.05-07.07	■	
1.4 (199AXB11, 199AXB1A, 199BXB1A, 199AXL1A) (350 A1.000)	01/10-	Gasolina	FWD	1368	57	77	06.05-12.15	■	
1.4 16V (199BXG1B, 199AXG1B) (199 A6.000)		Gasolina	FWD	1368	70	95	10.05-08.11	■	
1.4 LPG (350 A1.000)	01/10-	Gasol./Gas (LPG)	FWD	1368	57	78	12.08-	■	
1.4 Natural Power (350 A1.000)		Gasol./Gas (CNG)	FWD	1368	57	78	07.08-	■	
1.3 D Multijet (199 B2.000)	01/10-	Diesel	FWD	1248	51	69	07.08-	■	
1.3 D Multijet (199 A2.000)	01/10-	Diesel	FWD	1248	55	75	10.05-06.13	■	
LINEA (323_, 110_) 10.06-						Saloon (Compact car-C Segment)			
1.4 (350 A1.000)	01/09-	Gasolina	FWD	1368	57	77	06.07-	■	
1.4	01/09-	Gasolina	FWD	1368	66	90	12.08-	■	
1.4 T-Jet	01/09-	Gasolina	FWD	1368	84	114	09.07-03.13	■	
1.3 D Multijet (323AXB1A) (199 A3.000)	01/09-	Diesel	FWD	1248	66	90	06.07-	■	
1.3 D Multijet (323AXB1A) (199 A3.000)	-12/10	Diesel	FWD	1248	70	95	09.09-	■	
PUNTO III (199_) 04.08-						Hatchback Van (LCVs-N1 Segment)			
1.4 (199BXB1A, 199AXL1A, 199AXB1A) (350 A1.000)	Eq.V_ pop	Gasolina	FWD	1368	57	78	03.12-	■	
1.4 LPG (199AXB1A, 199BXB1A, 199AXL1A) (350 A1.000)	Eq.V_ pop	Gasol./Gas (LPG)	FWD	1368	57	78	03.12-	■	

LISTA DE APLICACIONES - BUYERS GUIDE

1.4 Natural Power (199AXB1A, 199AXL1A) (350 A1.000)	Eq.V_ pop	Gasol./Gas (CNG)	FWD	1368	57	78	03.09-	■
1.3 D Multijet (199 A2.000)	Eq.V_ pop	Diesel	FWD	1248	55	75	04.08-	■
1.3 D Multijet (199 A9.000)	Eq.V_ pop	Diesel	FWD	1248	55	75	04.08-	■
1.3 D Multijet (199 B4.000)		Diesel	FWD	1248	62	84	03.12-	■
PUNTO III (199_) 01.12-								Hatchback (Supermini car-B Segment)
1.2 (199AYL1A, 199BYL1A) (199 B9.000)	Eq.V_ pop	Gasolina	FWD	1242	49	67	02.14-	■
1.2 (199AXZ1A, 199BXZ1A) (169 A4.000)	Eq.V_ pop	Gasolina	FWD	1242	51	69	03.12-	■
1.4 (199AXH1A, 199BXH1A) (199 A7.000)	Eq.V_ pop	Gasolina	FWD	1368	55	75	03.12-	■
1.4 (199AXB1A, 199BxB1A, 199BxB11, 199AXB11) (350 A1.000)	Eq.V_ pop	Gasolina	FWD	1368	57	78	03.12-	■
1.4 Multiair (955 A6.000)	Eq.V_ pop	Gasolina	FWD	1368	77	105	03.12-	■
1.4 BiFuel (350 A1.000)	Eq.V_ pop	Gasol./Gas (LPG)	FWD	1368	57	78	03.12-	■
1.4 Natural Power (350 A1.000)	Eq.V_ pop	Gasol./Gas (CNG)	FWD	1368	57	78	03.12-	■
1.3 D Multijet (199 A2.000)	Eq.V_ pop	Diesel	FWD	1248	55	75	03.12-	■
1.3 D Multijet (199 A9.000)	Eq.V_ pop	Diesel	FWD	1248	55	75	03.12-	■
PUNTO EVO (199_) 03.09-02.12								Hatchback Van (LCVs-N1 Segment)
1.4 (199.AXB1A) (350 A1.000)	4SU	Gasolina	FWD	1368	57	78	03.09-02.12	■
1.3 D Multijet (199.AXT1A, 199.AXC1A) (199 A2.000)		Diesel	FWD	1248	55	75	03.09-02.12	■
1.3 D Multijet (199.AXT1A, 199.AXC1A) (199 A9.000)		Diesel	FWD	1248	55	75	03.09-02.12	■
PUNTO EVO (199_) 07.08-								Hatchback (Supermini car-B Segment)
1.2 (199 A4.000)	-12/10	Gasolina	FWD	1242	48	65	10.09-02.12	■
1.2 (169 A4.000)	-12/10	Gasolina	FWD	1242	51	69	10.09-02.12	■
1.4 (199AXH1A) (199 A7.000)	4SU	Gasolina	FWD	1368	55	75	07.09-02.12	■
1.4 (199AXB1A) (350 A1.000)	-12/10, 4SU	Gasolina	FWD	1368	57	77	10.09-02.12	■
1.4 16V (955 A6.000)	-12/10, 4SU	Gasolina	FWD	1368	77	105	10.09-02.12	■
1.4 LPG (350 A1.000)	-12/10, 4SU	Gasol./Gas (LPG)	FWD	1368	57	78	06.09-02.12	■
1.4 Natural Power (350 A1.000)	-12/10, 4SU	Gasol./Gas (CNG)	FWD	1368	57	78	10.09-02.12	■
1.3 D Multijet (199 B2.000)		Diesel	FWD	1248	51	69	07.08-02.12	■
1.3 D Multijet (199AXC1A, 199BXC1A, 199AXT1A, 199BXT1A) (199 A2.000)	-12/10	Diesel	FWD	1248	55	75	10.09-02.12	■
1.3 D Multijet (199AXC1A, 199BXC1A, 199AXT1A, 199BXT1A) (199 A9.000)	-12/10	Diesel	FWD	1248	55	75	10.09-02.12	■
1.3 D Multijet (199BXC1A) (199 A2.000)	-12/10	Diesel	FWD	1248	56	76	09.10-	■
1.3 D Multijet (199BXC1A) (199 A9.000)	-12/10	Diesel	FWD	1248	56	76	09.10-	■
PUNTO EVO (199_) 03.09-								Van (LCVs-N1 Segment)
1.4	-12/10	Gasolina	FWD	1368	57	78	03.09-	■
1.3 D Multijet	-12/10	Diesel	RWD	1248	55	75	03.09-	■
PEUGEOT								
BIPPER (AA_) 02.08-								Box Body/MPV (LCVs-N1 Segment)
1.4 (KFV (TU3A))		Gasolina	FWD	1360	54	73	02.08-	■
1.3 HDi 75 (FHZ (F13DTE5))		Diesel	FWD	1248	55	75	10.10-	■
1.3 HDi 80 / BlueHDi 80 (FHY (F13DTE6))		Diesel	FWD	1248	59	80	12.15-	■
1.4 HDi (8HS (DV4TED))		Diesel	FWD	1398	50	68	02.08-	■
BIPPER Tepee 04.08-								MPV (LCVs-N1 Segment)
1.4 (KFV (TU3A))		Gasolina	FWD	1360	54	73	04.08-	■

LISTA DE APLICACIONES - BUYERS GUIDE

1.3 HDi 75 (FHZ (F13DTE5))	Diesel	FWD	1248	55	75	10.10-	■
1.3 HDi 80 (FHY (F13DTE6))	Diesel	FWD	1248	59	80	12.15-	■
1.4 HDi (8HS (DV4TED))	Diesel	FWD	1398	50	68	04.08-	■