

# LISTA DE APLICACIONES - BUYERS GUIDE

## 181444-208

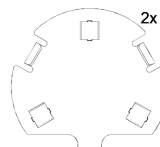
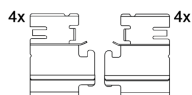
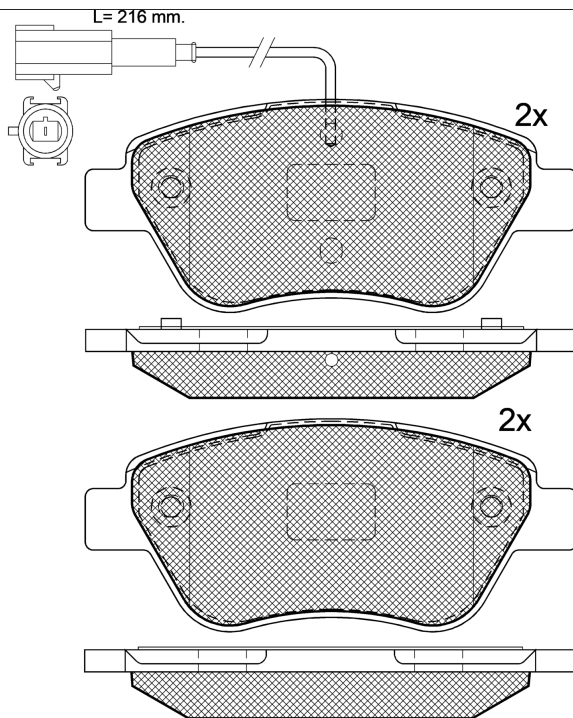


8 424073 150059

Qty: 300

Weight: 1.405

O.E.M.	MAKE
16 181 115 80	CITROËN



1-Ref. 690273 E 1-Ref. 690059

2-Ref. 651428

## 181444-208

**E 9** 90R-02A0111/4605



Bosch

122.9x53.2x17.8

WVA	FMSI
23706	D1616-9172
23707	
23982	

**MAKE**  
CITROËN



Trac.	CC	Kw	CV
-------	----	----	----



Front / Rear

### CITROËN

E-MEHARI 06.16-				Convertible (Off-Road SUV-J Segment)			
Electric		Eléctrico	FWD	42	57	06.16-	■
Electric	discØ 257	Eléctrico	FWD	50	68	06.16-	■