

LISTA DE APLICACIONES - BUYERS GUIDE

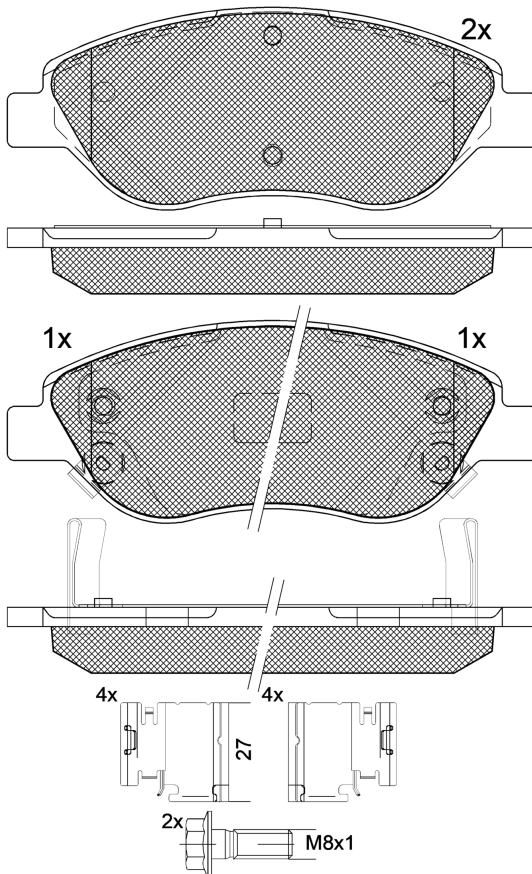
181445-208



Qty: 300

Weight: 1.930

O.E.M.	MAKE
7 736 792 3	FIAT
7 736 855 3	FIAT



1-Ref. 690193 E

181445-208

E 9 90R-02A0111/0460



Bosch

150.8x57.64x19.4

WVA

22476

22477

23713

MAKE

FIAT



Trac.	CC	Kw	CV
-------	----	----	----



Front / Rear

FIAT

TIPO / EGEA (356_, 357_) 03.16-

Estate (Compact car-C Segment)

TIPO / EGEA (356_, 357_) 03.16-	Trac.	CC	Kw	CV	Year	Front / Rear
1.0 (357WXN1A)	4TA	Gasolina	FWD	999	74 101 11.20-	■
1.4 (356WXA1B) (843 A1.000)	4TA	Gasolina	FWD	1368	70 95 03.16-10.20	■
1.4 (356WXF1B) (940 B7.000)	4TA	Gasolina	FWD	1368	88 120 03.16-10.20	■
1.6 (356WXE11) (552 68 036)	4TA	Gasolina	FWD	1598	81 110 07.16-10.20	■
1.4 LPG (356WXF1B) (940 B7.000)		Gasol./Gas (LPG)	FWD	1368	88 120 05.16-10.20	■
1.5 T4 Hybrid		Gasol./eléc.	FWD	1469	96 131 03.22-	■
1.3 D (356WXH1A) (552 66 963)	4TA	Diesel	FWD	1248	70 95 03.16-	■
1.3 D (356WXH1A) (552 83 775)	4TA	Diesel	FWD	1248	70 95 03.16-	■
1.6 D (356WYG11) (552 60 384)		Diesel	FWD	1598	84 114 09.16-10.20	■
1.6 D (356WYG11) (552 80 444)		Diesel	FWD	1598	84 114 09.16-10.20	■
1.6 D (356WYG1B) (552 60 384)	4TA	Diesel	FWD	1598	88 120 03.16-10.20	■
1.6 D (356WYG1B) (552 80 444)	4TA	Diesel	FWD	1598	88 120 03.16-10.20	■
1.6 Multijet (357WYG1)	4TA, ECOFC6, 5LR	Diesel	FWD	1598	96 131 11.20-	■

TIPO / EGEA (356_, 357_) 03.16-

Hatchback (Compact car-C Segment)

TIPO / EGEA (356_, 357_) 03.16-	Trac.	CC	Kw	CV	Year	Front / Rear
1.0 (357HXN1A)	4TA	Gasolina	FWD	999	74 101 11.20-	■
1.4 (356HXA1B, 357) (843 A1.000)	4TA	Gasolina	FWD	1368	70 95 03.16-	■
1.4 (356HXF1B) (940 B7.000)	4TA	Gasolina	FWD	1368	88 120 03.16-10.20	■
1.6 (356HXE11) (552 68 036)	4TA	Gasolina	FWD	1598	81 110 07.16-10.20	■
1.4 LPG (356HXF1B) (940 B7.000)		Gasol./Gas (LPG)	FWD	1368	88 120 05.16-10.20	■
1.5 T4 Hybrid		Gasol./eléc.	FWD	1469	96 131 03.22-	■
1.3 D (356HXH1A) (552 66 963)	4TA	Diesel	FWD	1248	70 95 03.16-	■

LISTA DE APLICACIONES - BUYERS GUIDE

1.3 D (356HXH1A) (552 83 775)	4TA	Diesel	FWD	1248	70	95	03.16-	■	
1.6 D (356HXG11) (552 60 384)		Diesel	FWD	1598	84	114	09.16-10.20	■	
1.6 D (356HXG11) (552 80 444)		Diesel	FWD	1598	84	114	09.16-10.20	■	
1.6 D (356HXG1B, 356HXG11) (552 60 384)	4TA	Diesel	FWD	1598	88	120	03.16-10.20	■	
1.6 D (356HXG1B, 356HXG11) (552 80 444)	4TA	Diesel	FWD	1598	88	120	03.16-10.20	■	
1.6 Multijet (357HXG1)	4TA,ECOFC6, 5LR	Diesel	FWD	1598	96	131	11.20-	■	
TIPO / EGEA (356_, 357_) 10.15-							Saloon (Compact car-C Segment)		
1.0 (357SXN1A)	4TA	Gasolina	FWD	999	74	101	11.20-	■	
1.4 (356SXA1B) (843 A1.000)	4TA	Gasolina	FWD	1368	70	95	10.15-	■	
1.6 (356SXE11) (552 68 036)	4TA	Gasolina	FWD	1598	81	110	10.15-10.20	■	
1.4 LPG (356SXF1B) (940 B7.000)		Gasol./Gas (LPG)	FWD	1368	88	120	05.16-10.20	■	
1.5 T4 Hybrid		Gasol./el éc.	FWD	1469	96	131	03.22-	■	
1.3 D (356SXB1A, 356SXH1A, 356SXD1A) (199 B1.000)	4TA	Diesel	FWD	1248	70	95	10.15-10.20	■	
1.3 D (356SXB1A, 356SXH1A, 356SXD1A) (552 66 963)	4TA	Diesel	FWD	1248	70	95	10.15-10.20	■	
1.3 D (356SXB1A, 356SXH1A, 356SXD1A) (552 83 775)	4TA	Diesel	FWD	1248	70	95	10.15-10.20	■	
1.6 D (356SXG1B) (552 60 384)		Diesel	FWD	1598	84	114	09.16-10.20	■	
1.6 D (356SXG1B) (552 60 384)	4TA	Diesel	FWD	1598	88	120	10.15-10.20	■	
1.6 D (356SXG1B) (940 C1.000)	4TA	Diesel	FWD	1598	88	120	10.15-10.20	■	
1.6 Multijet (357SXG1)	5LR	Diesel	FWD	1598	96	131	11.20-	■	