

LISTA DE APLICACIONES - BUYERS GUIDE

181445-701

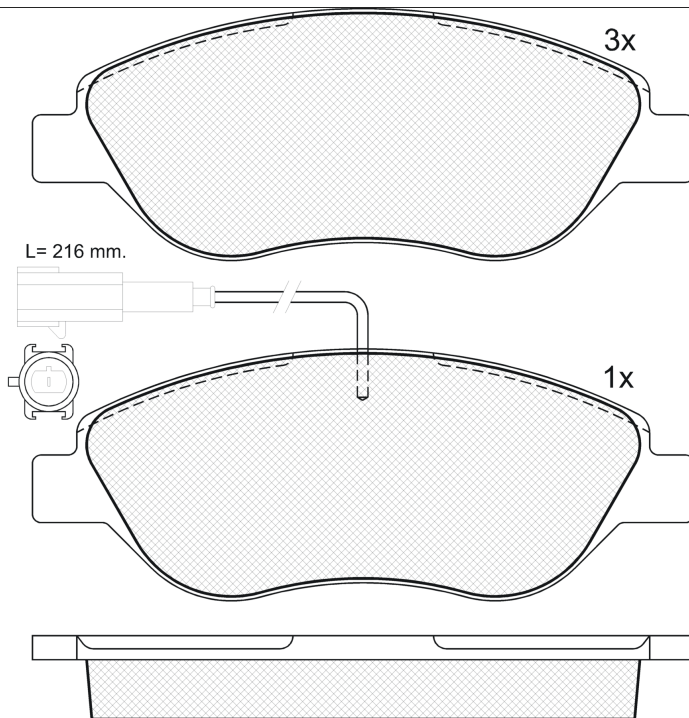


8 424073 082022

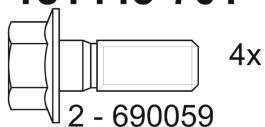
Qty: 300

Weight: 1.854

| O.E.M. | MAKE |
|-------------|--------|
| 7 736 209 3 | FIAT |
| 7 736 219 6 | FIAT |
| 7 736 249 6 | FIAT |
| 7 736 458 9 | LANCIA |
| 7 736 518 8 | FIAT |
| 7 736 648 9 | FIAT |
| 9 949 279 | LANCIA |



181445-701



181445-701



E 9 90R-01111/587

Bosch

150.8x57.64x19

| WVA | FMSI |
|-------|------------|
| 23711 | D1536-8745 |
| 23712 | |
| 23713 | |

| MAKE |
|------------|
| ALFA ROMEO |
| CHRYSLER |
| FIAT |
| LANCIA |



| Trac. | CC | Kw | CV |
|-------|----|----|----|
|-------|----|----|----|



Front / Rear

ALFA ROMEO

| | | | | | | | Hatchback (Supermini car-B Segment) | | | |
|--|--|------------------|-----|------|----|-----|-------------------------------------|--|---|--|
| MITO (955_) 08.08- | | | | | | | | | | |
| 1.4 TJet (955AXG1A) (198 A4.000) | | Gasolina | FWD | 1368 | 88 | 120 | 08.08-08.13 | | ■ | |
| 1.4 Turbo MultiAir (955AXS1B, 955AXS11) (955 A2.000) | | Gasolina | FWD | 1368 | 99 | 135 | 10.09-12.14 | | ■ | |
| 1.4 Turbo MultiAir (955AXS1B, 955AXS11) (955 A7.000) | | Gasolina | FWD | 1368 | 99 | 135 | 10.09-12.14 | | ■ | |
| 1.4 Bifuel (955AXG1A) (198 A4.000) | | Gasol./Gas (LPG) | FWD | 1368 | 88 | 120 | 01.09-08.16 | | ■ | |
| 1.4 Bifuel (955.AXG1A) (198 A4.000) | | Gasol./Gas (CNG) | FWD | 1368 | 88 | 120 | 04.16-10.18 | | ■ | |
| 1.6 JTDM (955AXE1B) (955 A4.000) | | Diesel | FWD | 1598 | 85 | 115 | 08.08-08.15 | | ■ | |
| 1.6 JTDM (955AXC1B) (198 A2.000) | | Diesel | FWD | 1598 | 88 | 120 | 08.08-08.15 | | ■ | |
| 1.6 JTDM (955AXC1B) (955 A3.000) | | Diesel | FWD | 1598 | 88 | 120 | 08.08-08.15 | | ■ | |

CHRYSLER

| | | | | | | | Hatchback (Compact car-C Segment) | | | |
|----------------------|--|----------|-----|------|-----|-----|-----------------------------------|--|---|--|
| DELTA 08.11- | | | | | | | | | | |
| 1.4 16V (198 A7.000) | | Gasolina | FWD | 1368 | 103 | 140 | 08.11- | | ■ | |

FIAT

| | | | | | | | Hatchback (Compact car-C Segment) | | | |
|---|--|----------|-----|------|-----|-----|-----------------------------------|--|---|--|
| BRAVO II / RITMO III (198_) 11.06- | | | | | | | | | | |
| 1.4 16V (198AXS1B) (198 A7.000) | | Gasolina | FWD | 1368 | 103 | 140 | 04.10-12.14 | | ■ | |
| 1.4 T-Jet (198AXF1B) (198 A1.000) | | Gasolina | FWD | 1368 | 110 | 150 | 09.07-12.14 | | ■ | |
| 1.4 T-Jet (198257) | | Gasolina | FWD | 1368 | 112 | 152 | 06.11-12.16 | | ■ | |
| 1.9 D Multijet (198AXC1B) (937 A5.000) | | Diesel | FWD | 1910 | 110 | 150 | 04.07-12.14 | | ■ | |
| 2.0 D Multijet (198AXPIB) (198 A8.000) | | Diesel | FWD | 1956 | 120 | 163 | 09.08-12.14 | | ■ | |
| 2.0 D Multijet (198AXPIB) (844 A2.000) | | Diesel | FWD | 1956 | 120 | 163 | 09.08-12.14 | | ■ | |

LISTA DE APLICACIONES - BUYERS GUIDE

| | | | | | | | | | |
|--|--------|---------------|-----|------|---|-----|-------------|---|--|
| 2.0 D Multijet (198AXN1B) (198 A5.000) | | Diesel | FWD | 1956 | 121 | 165 | 09.08-12.14 | ■ | |
| STILO (192_) 10.01-08.08 | | | | | Estate Van (Compact car-C Segment) | | | | |
| 1.9 JTD (192DXG1B) (937 A4.000) | | Diesel | FWD | 1910 | 93 | 126 | 09.03-08.05 | ■ | |
| 1.9 JTD (192DXG1B) (192 B1.000) | | Diesel | FWD | 1910 | 100 | 136 | 02.04-08.08 | ■ | |
| 1.9 JTD (192DXG1B) (192 A5.000) | | Diesel | FWD | 1910 | 103 | 140 | 09.03-08.05 | ■ | |
| 1.9 JTD (192DXT1B) (937 A5.000) | | Diesel | FWD | 1910 | 110 | 150 | 09.05-08.08 | ■ | |
| STILO (192_) 10.01-11.10 | | | | | Hatchback (Compact car-C Segment) | | | | |
| 2.4 20V | | Gasolina | FWD | 2446 | 123 | 167 | 01.04-11.06 | ■ | |
| 2.4 20V (192_XD1A, 192AXD12) (192 A2.000) | | Gasolina | FWD | 2446 | 125 | 170 | 10.01-04.07 | ■ | |
| 1.9 JTD (937 A4.000) | | Diesel | FWD | 1910 | 93 | 126 | 09.03-11.06 | ■ | |
| 1.9 JTD (192 B1.000) | | Diesel | FWD | 1910 | 100 | 136 | 04.04-11.06 | ■ | |
| 1.9 JTD (192 A5.000) | | Diesel | FWD | 1910 | 103 | 140 | 01.04-08.05 | ■ | |
| 1.9 D Multijet (937 A5.000) | | Diesel | FWD | 1910 | 110 | 150 | 09.05-11.06 | ■ | |
| STILO Multi Wagon (192_) 01.03-08.08 | | | | | Estate (Compact car-C Segment) | | | | |
| 2.4 20V (19245ZO) (192 A7.011) | | Gasolina | FWD | 2446 | 123 | 167 | 01.04-08.08 | ■ | |
| 1.9 JTD (937 A4.000) | -12/07 | Diesel | FWD | 1910 | 93 | 126 | 09.03-08.08 | ■ | |
| 1.9 JTD (192 B1.000) | -12/07 | Diesel | FWD | 1910 | 100 | 136 | 04.04-08.08 | ■ | |
| 1.9 JTD (192 A5.000) | -12/07 | Diesel | FWD | 1910 | 103 | 140 | 01.04-08.08 | ■ | |
| 1.9 D Multijet (192DXT1B) (937 A5.000) | -12/07 | Diesel | FWD | 1910 | 110 | 150 | 09.05-08.08 | ■ | |
| TIPO / EGEEA (356_, 357_) 03.16- | | | | | Estate (Compact car-C Segment) | | | | |
| 1.5 T4 Hybrid | | Gasol./el éc. | FWD | 1469 | 96 | 131 | 03.22- | ■ | |
| TIPO / EGEEA (356_, 357_) 03.16- | | | | | Hatchback (Compact car-C Segment) | | | | |
| 1.5 T4 Hybrid | | Gasol./el éc. | FWD | 1469 | 96 | 131 | 03.22- | ■ | |
| TIPO / EGEEA (356_, 357_) 10.15- | | | | | Saloon (Compact car-C Segment) | | | | |
| 1.5 T4 Hybrid | | Gasol./el éc. | FWD | 1469 | 96 | 131 | 03.22- | ■ | |
| LANCIA | | | | | | | | | |
| DELTA III (844_) 08.08-08.14 | | | | | Hatchback (Compact car-C Segment) | | | | |
| 1.4 (844.AXA1A) (198 A4.000) | | Gasolina | FWD | 1368 | 88 | 120 | 09.08-08.14 | ■ | |
| 1.4 16V (844.AXL1A) (198 A7.000) | | Gasolina | FWD | 1368 | 103 | 140 | 07.10-08.14 | ■ | |
| 1.4 (844.AXB1A) (198 A1.000) | | Gasolina | FWD | 1368 | 110 | 150 | 09.08-08.14 | ■ | |
| 1.6 D Multijet (844.AXF11, 844.AXF1A) (955 A4.000) | | Diesel | FWD | 1598 | 85 | 116 | 08.08-08.14 | ■ | |
| LYBRA (839_) 07.99-10.05 | | | | | Saloon (Compact executive car-D Segment) | | | | |
| 2.4 LX Blind | 01/03- | Gasolina | FWD | 2395 | 124 | 169 | 07.99- | ■ | |
| 2.4 20V (839.CXM1A) (192 A2.000) | | Gasolina | FWD | 2446 | 125 | 170 | 10.01-10.05 | ■ | |