

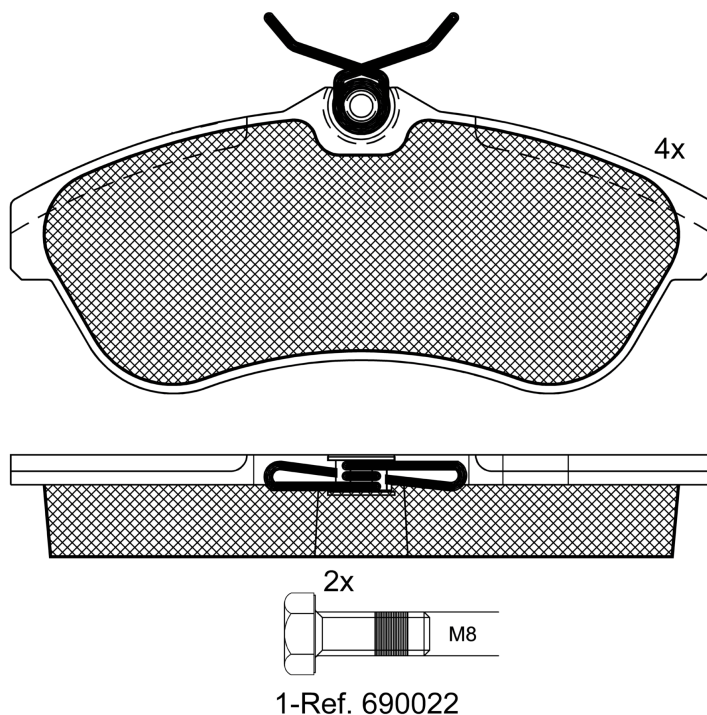
LISTA DE APLICACIONES - BUYERS GUIDE

181451-700



Qty: 300 Weight: 1.444

O.E.M.	MAKE
16 113 346 80	CITROËN
16 172 702 80	CITROËN
4252.37	CITROËN
4253.72	CITROËN
86 60 004 757	RENAULT
86 71 016 737	RENAULT
E172282	CITROËN



181451-700

E 9 90R-01111/507



Lucas - Girling

128.9x56.3x19.3

WVA	FMSI
23408	D2075-9309
23409	D2150-9392
23809	

**MAKE**  
CITROËN  
CITROËN (DF-PSA)



Trac.	CC	Kw	CV	Hourglass icon	Front / Rear
-------	----	----	----	----------------	--------------

CITROËN

C2 (JM_) 07.03-09.17							Hatchback (Supermini car-B Segment)		
1.4 (KFV (TU3A))		Gasolina	FWD	1360	54	73	09.03-12.09	■	
1.4 (KFV (TU3JP))		Gasolina	FWD	1360	54	73	09.03-12.09	■	
1.4 (KFV (TU3JP))	Eq.V_ Disco Ventilado	Gasolina	FWD	1360	55	75	10.06-12.09	■	
1.4 16V (KFU (ET3J4))		Gasolina	FWD	1360	65	90	04.05-12.09	■	
1.6 (NFU (TU5JP4))		Gasolina	FWD	1587	80	109	07.03-10.10	■	
1.6 VTS (NFS (TU5JP4S))		Gasolina	FWD	1587	90	122	10.04-12.09	■	
1.6 Sport WRC	01/03-	Gasolina	FWD	1595	165	225	07.03-	■	
1.4 HDi (8HX (DV4TD))		Diesel	FWD	1398	50	68	07.03-12.09	■	
1.4 HDi (8HZ (DV4TD))		Diesel	FWD	1398	50	68	07.03-12.09	■	
1.4 HDi (8HX (DV4TD))		Diesel	FWD	1398	51	69	09.03-04.05	■	
C2 II ENTERPRISE (JG_) 11.03-							Hatchback Van (LCVs-N1 Segment)		
1.4 HDi (8HX (DV4TD))		Diesel	FWD	1398	50	68	09.06-12.09	■	
1.4 HDi (8HZ (DV4TD))		Diesel	FWD	1398	51	69	11.03-04.05	■	
C3 (FC_, FN_) 02.02-							Hatchback (Supermini car-B Segment)		
1.4 16V (KFU (ET3J4))		Gasolina	FWD	1360	65	88	12.03-08.10	■	
1.6 16V (NFU (TU5JP4))	-12/09	Gasolina	FWD	1587	80	109	02.02-08.10	■	
1.6 16V (NFU (TU5JP4))		Gasolina	FWD	1587	81	110	05.03-09.05	■	
1.4 16V HDi (8HY (DV4TED4))	-12/09	Diesel	FWD	1398	66	90	02.02-06.08	■	
1.6 16V HDi (9HX (DV6ATED4))	-12/09	Diesel	FWD	1560	66	90	10.05-12.09	■	
1.6 16V HDi (9HZ (DV6TED4))	-12/09	Diesel	FWD	1560	80	109	09.05-12.09	■	

# LISTA DE APLICACIONES - BUYERS GUIDE

<b>C3 II (SC_) 09.09-</b>					<b>Hatchback (Supermini car-B Segment)</b>			
1.5 i		Gasolina	FWD	1449	65	89	01.12-	■
1.4 LPG (8FN (EP3))	Rim 15	Gasol./Gas (LPG)	FWD	1397	70	95	06.13-09.16	■
1.5 Flex		Gasol./Etanol	FWD	1449	68	92	08.12-12.16	■
1.6 HDi (9HJ (DV6DTE DM))		Diesel	FWD	1560	68	92	11.09-09.16	■
1.6 HDi (9HP (DV6DTE D))		Diesel	FWD	1560	68	92	11.09-09.16	■
<b>C3 Pluriel (HB_) 05.03-</b>					<b>Convertible (Supermini car-B Segment)</b>			
1.4 (KFV (TU3A))	-12/09	Gasolina	FWD	1360	54	73	05.03-	■
1.4 (KFV (TU3JP))	-12/09	Gasolina	FWD	1360	54	73	05.03-	■
1.4 (KFV (TU3A))	-12/09	Gasolina	FWD	1360	55	75	07.03-	■
1.6 (NFU (TU5JP4))	-12/09	Gasolina	FWD	1587	80	109	05.03-	■
1.4 Hybrid	-12/09	Gasol./eléc.	FWD	1360	54	73	05.05-	■
1.4 HDi (8HX (DV4TD))	-12/09	Diesel	FWD	1398	50	68	04.04-	■
<b>CITROËN (DF-PSA)</b>								
<b>C2 (T11) 10.06-12.14</b>					<b>Hatchback (Supermini car-B Segment)</b>			
1.6		Gasolina	FWD	1587	78	105	10.06-	■