

LISTA DE APLICACIONES - BUYERS GUIDE

181503-701

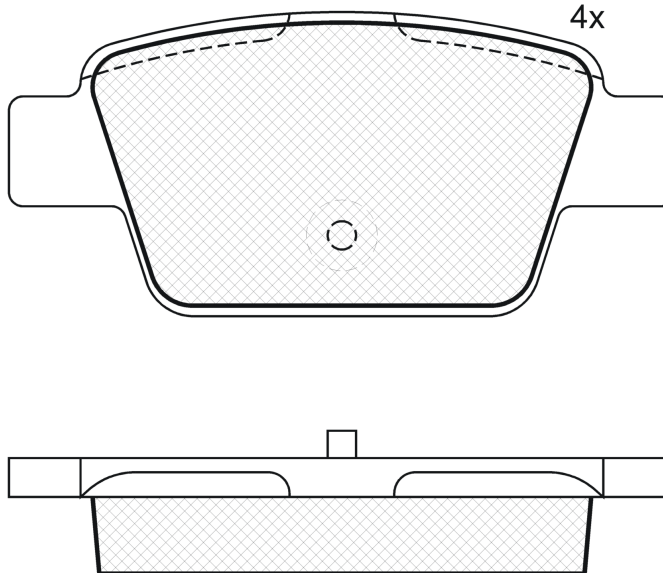


8 424073 082626

Qty: 944

Weight: 840

O.E.M.	MAKE
60 01 073 153	FIAT
7 176 909 4	FIAT
7 177 001 4	FIAT
7 177 222 5	FIAT
7 736 227 1	FIAT
7 736 276 8	FIAT
7 736 351 8	FIAT
7 736 459 0	LANCIA
86 60 004 463	RENAULT
86 71 016 636	RENAULT
9 949 280	FIAT



181503-701



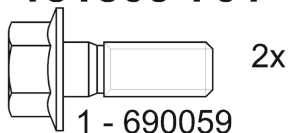
90R-01110/540

Bosch

94.8x42.9x16.3

WVA	FMSI
23714	D1620-8832
MAKE	
ALFA ROMEO	
CHRYSLER	
FIAT	
LANCIA	

181503-701



Trac.	CC	Kw	CV
-------	----	----	----



Front / Rear

ALFA ROMEO

MITO (955_) 08.08-				Hatchback (Supermini car-B Segment)			
0.9 TwinAir (955.AXW1B) (312 A2.000)	Gasolina	FWD	875	63	86	07.11-12.13	■
0.9 TwinAir (955.AXY1B) (199 B6.000)	Gasolina	FWD	875	77	105	04.13-08.18	■
1.4 (955.AXV1A) (955 A9.000)	Gasolina	FWD	1368	51	69	05.11-10.18	■
1.4 (955.AXB1B, 955.AXU1A) (350 A1.000)	Gasolina	FWD	1368	57	78	03.11-10.18	■
1.4 (955.AXB1B)	Gasolina	FWD	1368	57	78	03.11-	■
1.4 (955.AXB1B) (955 A1.000)	Gasolina	FWD	1368	58	78	08.08-08.13	■
1.4 (955.AXB1B, 955.AXF1B) (199 A6.000)	Gasolina	FWD	1368	70	95	09.08-08.13	■
1.4 MultiAir (955.AXL1B) (955 A6.000)	Gasolina	FWD	1368	77	105	09.09-08.13	■
1.4 TJet (955.AXG1A) (198 A4.000)	Gasolina	FWD	1368	88	120	08.08-08.13	■
1.4 Turbo MultiAir (955.AXS1B, 955.AXS11) (955 A2.000)	Gasolina	FWD	1368	99	135	10.09-12.14	■
1.4 Turbo MultiAir (955.AXS1B, 955.AXS11) (955 A7.000)	Gasolina	FWD	1368	99	135	10.09-12.14	■
1.4 TJet (955.AXD1B) (198 A1.000)	Gasolina	FWD	1368	110	150	09.08-06.11	■
1.4 TJet (955.AXA1B) (199 A8.000)	Gasolina	FWD	1368	114	155	08.08-06.11	■
1.4 Turbo MultiAir (955.AXS1B, 955.AXS11) (955 A8.000)	Gasolina	FWD	1368	120	163	10.09-10.18	■
1.4 MultiAir (955.AXN1B) (940 A2.000)	Gasolina	FWD	1368	125	170	09.09-10.18	■
1.4 Bifuel (955.AXG1A) (198 A4.000)	Gasol./Gas (LPG)	FWD	1368	88	120	01.09-08.16	■
1.4 Bifuel (955.AXG1A) (198 A4.000)	Gasol./Gas (CNG)	FWD	1368	88	120	04.16-10.18	■
1.3 MultiJet (955.AXT1A, 955.AYA1A) (199 B4.000)	Diesel	FWD	1248	62	84	01.11-12.15	■
1.3 MultiJet (955.AXH1B, 955.AXT1A) (199 A3.000)	Diesel	FWD	1248	66	90	08.08-08.10	■

LISTA DE APLICACIONES - BUYERS GUIDE

1.3 MultiJet (955AXH1B, 955AXT1A) (955 B2.000)		Diesel	FWD	1248	66	90	08.08-08.10	■
1.3 MultiJet (955AXP1A, 955AYC1A) (199 B1.000)		Diesel	FWD	1248	70	95	09.09-10.18	■
1.3 MultiJet (955AXP1A, 955AYC1A) (330 A1.000)		Diesel	FWD	1248	70	95	09.09-10.18	■
1.6 JTDM (955AXE1B) (955 A4.000)		Diesel	FWD	1598	85	115	08.08-08.15	■
1.6 JTDM (955AXC1B) (198 A2.000)		Diesel	FWD	1598	88	120	08.08-08.15	■
1.6 JTDM (955AXC1B) (955 A3.000)		Diesel	FWD	1598	88	120	08.08-08.15	■
CHRYSLER								
DELTA 08.11-						Hatchback (Compact car-C Segment)		
1.4 (198 A4.000)		Gasolina	FWD	1368	88	120	08.11-	■
1.4 16V (198 A7.000)		Gasolina	FWD	1368	103	140	08.11-	■
1.6 D Multijet (198 A2.000)		Diesel	FWD	1598	88	120	08.11-	■
2.0 D Multijet (198 A5.000)		Diesel	FWD	1956	121	165	08.11-	■
FIAT								
BRAVO II (198_) 03.08-12.14						Hatchback Van (LCVs-N1 Segment)		
1.6 JTD Multijet (198AXH1B) (198 A3.000)		Diesel	FWD	1598	77	105	03.08-12.14	■
BRAVO II (198) 03.08-06.14						Van (LCVs-N1 Segment)		
1.6 D Multijet		Diesel	RWD	1598	77	105	03.08-06.14	■
BRAVO II / RITMO III (198_) 11.06-						Hatchback (Compact car-C Segment)		
1.4 (198AXA1B) (192 B2.000)		Gasolina	FWD	1368	66	90	04.07-12.14	■
1.4 T-Jet (198AXG1B) (198 A4.000)		Gasolina	FWD	1368	88	120	10.07-12.14	■
1.4 16V (198AXS1B) (198 A7.000)		Gasolina	FWD	1368	103	140	04.10-12.14	■
1.4 T-Jet (198AXF1B) (198 A1.000)		Gasolina	FWD	1368	110	150	09.07-12.14	■
1.4 T-Jet (198257)		Gasolina	FWD	1368	112	152	06.11-12.16	■
1.4 LPG (198AXA1B) (192 B2.000)		Gasol./Gas (LPG)	FWD	1368	66	90	12.08-12.14	■
1.6 D Multijet (198AXM1B) (198 A6.000)		Diesel	FWD	1598	66	90	03.08-12.14	■
1.6 D Multijet (198AXH1B) (198 A3.000)		Diesel	FWD	1598	77	105	09.07-12.14	■
1.6 D Multijet (198AXH1B) (844 A3.000)		Diesel	FWD	1598	77	105	09.07-12.14	■
1.6 D Multijet		Diesel	FWD	1598	85	115	11.08-	■
1.6 D Multijet (198AXL1B) (198 A2.000)		Diesel	FWD	1598	88	120	03.08-12.14	■
1.9 D Multijet (198AXE1A) (192 B5.000)		Diesel	FWD	1910	66	90	04.07-12.08	■
1.9 D Multijet (198AXD1A) (192 A1.000)		Diesel	FWD	1910	85	116	11.06-12.09	■
1.9 D Multijet (198AXD1A) (192 B4.000)		Diesel	FWD	1910	85	116	11.06-12.09	■
1.9 D Multijet (198AXB1A) (192 A8.000)		Diesel	FWD	1910	88	120	04.07-12.14	■
1.9 D Multijet (198AXC1B) (937 A5.000)		Diesel	FWD	1910	110	150	04.07-12.14	■
2.0 D Multijet (198AXPIB) (198 A8.000)		Diesel	FWD	1956	120	163	09.08-12.14	■
2.0 D Multijet (198AXPIB) (844 A2.000)		Diesel	FWD	1956	120	163	09.08-12.14	■
2.0 D Multijet (198AXN1B) (198 A5.000)		Diesel	FWD	1956	121	165	09.08-12.14	■
LINEA (323_, 110_) 10.06-						Saloon (Compact car-C Segment)		
1.4 (350 A1.000)		Gasolina	FWD	1368	57	77	06.07-	■
1.4		Gasolina	FWD	1368	66	90	12.08-	■
1.4 T-Jet		Gasolina	FWD	1368	84	114	09.07-03.13	■
1.3 D Multijet (323AXB1A) (199 A3.000)		Diesel	FWD	1248	66	90	06.07-	■
1.3 D Multijet (323AXB1A) (199 A3.000)		Diesel	FWD	1248	70	95	09.09-	■
MULTIPLA (186_) 04.99-06.10						MPV (Compact MPV-M1 Segment)		
1.6 100 16V (186AXA1A) (182 A4.000)		Gasolina	FWD	1581	76	103	04.99-08.00	■
1.6 16V		Gasolina	FWD	1581	85	116	04.99-04.02	■
1.6 (182 B6.000)		Gasolina	FWD	1596	68	92	05.04-08.05	■

LISTA DE APLICACIONES - BUYERS GUIDE

1.6 16V (186AGB1A) (182 B6.000)		Gasolina	FWD	1596	70	95	04.02-06.10	■	
1.6		Gasolina	FWD	1596	74	101	03.01-08.05	■	
1.6 (186AXC1A, 186BMC1A, 186BXC1A) (182 B6.000)	-12/00	Gasolina	FWD	1596	76	103	09.00-06.10	■	
1.6 16V GPL (182 B6.000)		Gasol./Gas (LPG)	FWD	1596	76	103	10.01-06.10	■	
1.6 Blupower (186AMA1A) (186 A3.000)		Gasol./Gas (CNG)	FWD	1581	70	95	04.99-09.04	■	
1.6 16V Bipower (186AMB1A) (186 A4.000)		Gasol./Gas (CNG)	FWD	1581	76	103	04.99-09.04	■	
1.6 16V Bipower (186AXC1A) (182 B6.000)	01/02-	Gasol./Gas (CNG)	FWD	1596	76	103	10.01-08.05	■	
1.6 Natural Power (186AGB1A05) (182 B6.000)		Gasol./Gas (CNG)	FWD	1596	77	105	11.08-06.10	■	
1.9 JTD 105 (186AXB1A) (182 B4.000)		Diesel	FWD	1910	77	105	04.99-08.00	■	
1.9 JTD 110 (186 A6.000)		Diesel	FWD	1910	81	110	03.01-07.02	■	
1.9 JTD 115 (186 A8.000)		Diesel	FWD	1910	85	115	07.02-06.10	■	
1.9 JTD (186AXE1A) (186 A9.000)		Diesel	FWD	1910	88	120	04.02-06.10	■	
MULTIPLA VAN (186_) 04.99-06.10							Box Body/MPV (LCVs-N1 Segment)		
1.6 (186AXC1A, 186BMC1A, 186BXC1A)		Gasolina	FWD	1596	76	103	09.00-06.10	■	
Bipower		Gasol./Etanol	FWD	1596	76	103	10.01-06.10	■	
1.9 JTD (186AXB1A)		Diesel	FWD	1910	77	105	04.99-08.00	■	
1.9 JTD		Diesel	FWD	1910	81	110	09.00-03.02	■	
1.9 JTD		Diesel	FWD	1910	85	116	05.04-06.10	■	
1.9 JTD (186AXG1A, 186BXG1A)		Diesel	FWD	1910	88	120	04.02-06.10	■	
STILO (192_) 10.01-08.08							Estate Van (Compact car-C Segment)		
1.4 (192DXH1B) (843 A1.000)		Gasolina	FWD	1368	70	95	01.04-08.08	■	
1.6 (192DXB1A) (182 B6.000)		Gasolina	FWD	1596	100	136	04.05-08.08	■	
1.6 (192DXR1A) (192 B3.000)		Gasolina	FWD	1598	77	105	04.05-08.08	■	
1.9 JTD (192DXF1A) (192 A3.000)		Diesel	FWD	1910	59	80	10.01-08.05	■	
1.9 JTD (192DXE1A) (192 A1.000)		Diesel	FWD	1910	85	116	10.01-08.05	■	
1.9 JTD (192DXS1A) (192 A8.000)		Diesel	FWD	1910	88	120	09.05-08.08	■	
1.9 JTD (192DXG1B) (937 A4.000)		Diesel	FWD	1910	93	126	09.03-08.05	■	
1.9 JTD (192DXG1B) (192 B1.000)		Diesel	FWD	1910	100	136	02.04-08.08	■	
1.9 JTD (192DXG1B) (192 A5.000)		Diesel	FWD	1910	103	140	09.03-08.05	■	
1.9 JTD (192DXT1B) (937 A5.000)		Diesel	FWD	1910	110	150	09.05-08.08	■	
STILO (192_) 10.01-11.10							Hatchback (Compact car-C Segment)		
1.2 16V (192_XA1B) (188 A5.000)		Gasolina	FWD	1242	59	80	11.01-12.03	■	
1.4 16V (192 B2.000)		Gasolina	FWD	1368	66	90	03.05-11.06	■	
1.4 16V (192AXH1B, 192BXH1B) (843 A1.000)		Gasolina	FWD	1368	70	95	10.03-12.06	■	
1.6 16V (192_XB1A) (182 B6.000)		Gasolina	FWD	1596	76	103	10.01-11.06	■	
1.6 (182 B6.000)		Gasolina	FWD	1596	100	136	04.05-11.06	■	
1.6 16V (192 B3.000)		Gasolina	FWD	1598	77	105	05.05-11.06	■	
1.8 16V (192AXC1A, 192BXC1A) (192 A4.000)		Gasolina	FWD	1747	98	133	10.01-04.07	■	
1.8		Gasolina	FWD	1796	76	103	01.04-11.06	■	
1.8 Flex		Gasolina	FWD	1796	84	114	09.05-11.10	■	
1.8		Gasolina	FWD	1796	90	122	01.04-11.06	■	
2.4 20V		Gasolina	FWD	2446	123	167	01.04-11.06	■	
2.4 20V (192_XD1A, 192AXD12) (192 A2.000)		Gasolina	FWD	2446	125	170	10.01-04.07	■	
1.9 JTD (192_XF1A) (192 A3.000)		Diesel	FWD	1910	59	80	02.02-09.05	■	

LISTA DE APLICACIONES - BUYERS GUIDE

1.9 JTD (192AXS1B, 192BXS1B) (192 B5.000)		Diesel	FWD	1910	66	90	09.04-11.06	■
1.9 D Multijet (192 A9.000)		Diesel	FWD	1910	74	100	09.05-11.06	■
1.9 JTD (192_XE1A) (192 A1.000)		Diesel	FWD	1910	85	115	10.01-11.06	■
1.9 JTD (192_XE1A) (937 A7.000)		Diesel	FWD	1910	85	115	10.01-11.06	■
1.9 D Multijet (192 A8.000)		Diesel	FWD	1910	88	120	09.05-11.06	■
1.9 JTD (937 A4.000)		Diesel	FWD	1910	93	126	09.03-11.06	■
1.9 JTD (192 B1.000)		Diesel	FWD	1910	100	136	04.04-11.06	■
1.9 JTD (192 A5.000)		Diesel	FWD	1910	103	140	01.04-08.05	■
1.9 D Multijet (937 A5.000)		Diesel	FWD	1910	110	150	09.05-11.06	■
STILO Multi Wagon (192_) 01.03-08.08				Estate (Compact car-C Segment)				
1.4 16V (192 B2.000)	-12/07	Gasolina	FWD	1368	66	90	03.05-08.08	■
1.4 16V (843 A1.000)	-12/07	Gasolina	FWD	1368	70	95	01.04-08.08	■
1.6 16V (182 B6.000)	-12/07	Gasolina	FWD	1596	76	103	01.03-08.08	■
1.6 16V (192 B3.000)		Gasolina	FWD	1598	77	105	03.05-12.07	■
1.8 16V (192 A4.000)	-12/07	Gasolina	FWD	1747	98	133	01.03-08.08	■
1.8		Gasolina	FWD	1796	76	103	01.04-08.08	■
1.8		Gasolina	FWD	1796	84	114	09.05-08.08	■
1.8		Gasolina	FWD	1796	90	122	01.04-08.08	■
2.4 20V (19245ZO) (192 A7.011)		Gasolina	FWD	2446	123	167	01.04-08.08	■
1.9 JTD (192 A3.000)	-12/07	Diesel	FWD	1910	59	80	01.03-08.05	■
1.9 D (192 B5.000)		Diesel	FWD	1910	66	90	09.04-08.08	■
1.9 D Multijet (192 A9.000)	-12/07	Diesel	FWD	1910	74	100	09.05-08.08	■
1.9 JTD (192 A1.000)	-12/07	Diesel	FWD	1910	85	115	01.03-08.08	■
1.9 JTD (937 A7.000)	-12/07	Diesel	FWD	1910	85	115	01.03-08.08	■
1.9 D Multijet (192 A8.000)	-12/07	Diesel	FWD	1910	88	120	09.05-08.08	■
1.9 JTD (937 A4.000)	-12/07	Diesel	FWD	1910	93	126	09.03-08.08	■
1.9 JTD (192 B1.000)	-12/07	Diesel	FWD	1910	100	136	04.04-08.08	■
1.9 JTD (192 A5.000)	-12/07	Diesel	FWD	1910	103	140	01.04-08.08	■
1.9 D Multijet (192DXT1B) (937 A5.000)	-12/07	Diesel	FWD	1910	110	150	09.05-08.08	■
LANCIA								
DELTA III (844_) 08.08-08.14				Hatchback (Compact car-C Segment)				
1.4 (844.AXA1A) (198 A4.000)		Gasolina	FWD	1368	88	120	09.08-08.14	■
1.4 16V (844.AXL1A) (198 A7.000)		Gasolina	FWD	1368	103	140	07.10-08.14	■
1.4 (844.AXB1A) (198 A1.000)		Gasolina	FWD	1368	110	150	09.08-08.14	■
1.8 (844.AXH12) (939 B1.000)		Gasolina	FWD	1742	147	200	01.09-08.14	■
1.4 Bifuel (844.AXA1A) (198 A4.000)		Gasol./Gas (LPG)	FWD	1368	88	120	07.11-08.14	■
1.6 D Multijet (844.AXP1A) (944 A 3.000)		Diesel	FWD	1598	77	105	04.11-08.14	■
1.6 D Multijet (844.AXF11, 844.AXF1A) (955 A4.000)		Diesel	FWD	1598	85	116	08.08-08.14	■
1.6 D Multijet (844.AXC11, 844.AXC1A) (198 A2.000)		Diesel	FWD	1598	88	120	09.08-08.14	■
1.9 D Multijet (844.AXE1A) (844 A1.000)		Diesel	FWD	1910	140	190	01.09-08.14	■
2.0 D Multijet (844.AXG1A, 844.AXN1A) (844 A2.000)		Diesel	FWD	1956	120	163	09.08-08.14	■
2.0 D Multijet (844.AXD1A, 844.AXM1A) (198 A5.000)		Diesel	FWD	1956	121	165	09.08-08.14	■
2.0 D Multijet (844.AXD1A, 844.AXM1A) (198 A8.000)		Diesel	FWD	1956	121	165	09.08-08.14	■