

LISTA DE APLICACIONES - BUYERS GUIDE

181531

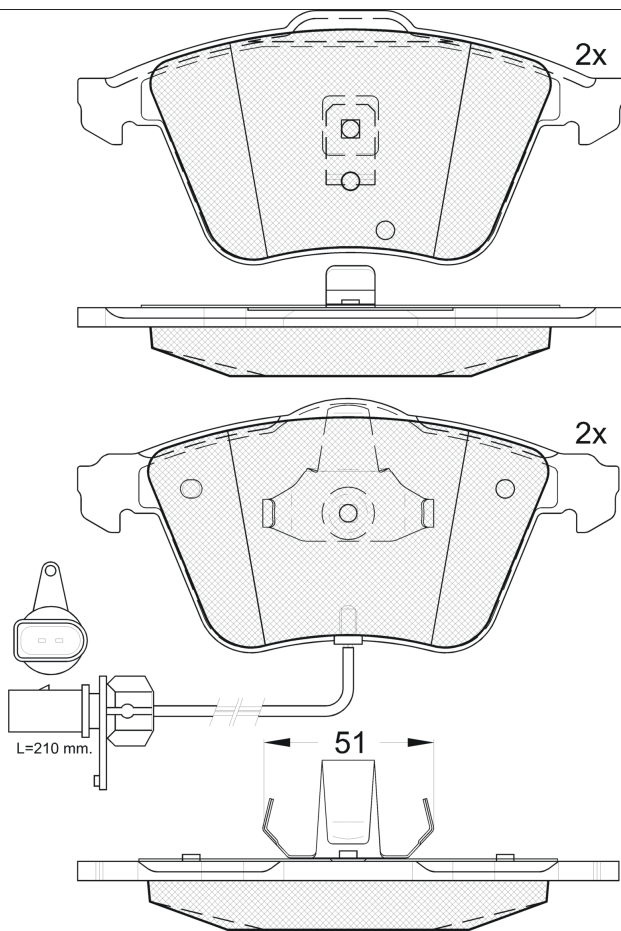


8 424073 085115

Qty: 300

Weight: 2.165

O.E.M.	MAKE
4B0 698 151 AC	AUDI
4B0 698 151 AD	AUDI
4B0 698 151 Q	AUDI
4B0 698 151 R	AUDI



181531



90R-01111/755



Ate - Teves

155.2x72.9x20.3
156.4x72.9x20.3

WVA	FMSI
23762	D915-7796
23763	
23950	
MAKE	
AUDI	



Trac.	CC	Kw	CV
-------	----	----	----



Front / Rear

AUDI

A6 II (U.S.A. C5) 09.95-12.04

Saloon (Executive car-E Segment)

Engine	Year	Fuel	Drive	CC	Kw	CV	Period	Availability
2.7 30V Quattro	01/01-	Gasolina	FWD	2695			09.95-	■
3.0 30V	01/02-	Gasolina	FWD	2995			09.95-	■
3.0 V30 Quattro	01/02-	Gasolina	FWD	2995			09.95-	■
3.0 V30 Quattro	01/02-	Gasolina	FWD	2995			09.95-	■

A6 II C5 Avant (4B5, 4B6) 11.97-01.06

Estate (Executive car-E Segment)

Engine	Year	Fuel	Drive	CC	Kw	CV	Period	Availability
1.8 (AJP)	01/01-	Gasolina	FWD	1781	92	125	12.97-01.05	■
1.8 (AQE)	01/01-	Gasolina	FWD	1781	92	125	12.97-01.05	■
1.8 (ARH)	01/01-	Gasolina	FWD	1781	92	125	12.97-01.05	■
1.8 T quattro (AEB)	01/01-	Gasolina	4WD	1781	110	150	12.97-01.05	■
1.8 T quattro (ANB)	01/01-	Gasolina	4WD	1781	110	150	12.97-01.05	■
1.8 T quattro (APU)	01/01-	Gasolina	4WD	1781	110	150	12.97-01.05	■
1.8 T quattro (ARK)	01/01-	Gasolina	4WD	1781	110	150	12.97-01.05	■
1.8 T quattro (AWT)	01/01-	Gasolina	4WD	1781	110	150	12.97-01.05	■
2.4 (AGA)	01/01-	Gasolina	FWD	2393	121	165	12.97-01.05	■
2.4 (ALF)	01/01-	Gasolina	FWD	2393	121	165	12.97-01.05	■
2.4 (AML)	01/01-	Gasolina	FWD	2393	121	165	12.97-01.05	■
2.4 (APS)	01/01-	Gasolina	FWD	2393	121	165	12.97-01.05	■
2.4 (ARJ)	01/01-	Gasolina	FWD	2393	121	165	12.97-01.05	■
2.4 quattro (AGA)	01/01-	Gasolina	4WD	2393	121	165	12.97-01.05	■
2.4 quattro (ALF)	01/01-	Gasolina	4WD	2393	121	165	12.97-01.05	■
2.4 quattro (AML)	01/01-	Gasolina	4WD	2393	121	165	12.97-01.05	■
2.4 quattro (APS)	01/01-	Gasolina	4WD	2393	121	165	12.97-01.05	■
2.4 quattro (ARJ)	01/01-	Gasolina	4WD	2393	121	165	12.97-01.05	■

LISTA DE APLICACIONES - BUYERS GUIDE

2.7 T (AJK)	01/01-	Gasolina	FWD	2671	169	230	02.99-01.05	■
2.7 T quattro (AJK)	01/01-	Gasolina	4WD	2671	169	230	12.97-01.05	■
2.7 T quattro (AZA)	01/01-	Gasolina	4WD	2671	169	230	12.97-01.05	■
2.8 (ACK)	01/01-	Gasolina	FWD	2771	142	193	12.97-01.05	■
2.8 (ALG)	01/01-	Gasolina	FWD	2771	142	193	12.97-01.05	■
2.8 (AMX)	01/01-	Gasolina	FWD	2771	142	193	12.97-01.05	■
2.8 (APR)	01/01-	Gasolina	FWD	2771	142	193	12.97-01.05	■
2.8 (AQD)	01/01-	Gasolina	FWD	2771	142	193	12.97-01.05	■
2.8 quattro (ACK)	01/01-	Gasolina	4WD	2771	142	193	12.97-01.05	■
2.8 quattro (ALG)	01/01-	Gasolina	4WD	2771	142	193	12.97-01.05	■
2.8 quattro (AMX)	01/01-	Gasolina	4WD	2771	142	193	12.97-01.05	■
2.8 quattro (APR)	01/01-	Gasolina	4WD	2771	142	193	12.97-01.05	■
2.8 quattro (AQD)	01/01-	Gasolina	4WD	2771	142	193	12.97-01.05	■
2.8 quattro (ATQ)	01/01-	Gasolina	4WD	2771	142	193	12.97-01.05	■
3.0 (BBJ)		Gasolina	FWD	2976	160	218	06.01-01.05	■
3.0 quattro (BBJ)		Gasolina	4WD	2976	160	218	06.01-01.05	■
3.0 (ASN)		Gasolina	FWD	2976	162	220	08.01-01.05	■
3.0 quattro (ASN)		Gasolina	4WD	2976	162	220	08.01-01.05	■
1.9 TDI (AFN)	01/01-	Diesel	FWD	1896	81	110	02.98-04.01	■
1.9 TDI (AVG)	01/01-	Diesel	FWD	1896	81	110	02.98-04.01	■
2.5 TDI (AFB)	PR 1LA, PR 1LG	Diesel	FWD	2496	110	150	12.97-01.05	■
2.5 TDI (AKN)	PR 1LA, PR 1LG	Diesel	FWD	2496	110	150	12.97-01.05	■
2.5 TDI quattro (AFB)	PR 1LA, PR 1LG	Diesel	4WD	2496	110	150	12.97-01.05	■
2.5 TDI quattro (AKN)	PR 1LA, PR 1LG	Diesel	4WD	2496	110	150	12.97-01.05	■
2.5 TDI (AYM)	PR 1LA, PR 1LG	Diesel	FWD	2496	114	155	08.01-01.05	■
2.5 TDI (BCZ)	PR 1LA, PR 1LG	Diesel	FWD	2496	120	163	07.02-01.05	■
2.5 TDI (BDG)	PR 1LA, PR 1LG	Diesel	FWD	2496	120	163	07.02-01.05	■
2.5 TDI (BFC)	PR 1LA, PR 1LG	Diesel	FWD	2496	120	163	07.02-01.05	■
2.5 TDI (AKE)	PR 1LA, PR 1LG	Diesel	FWD	2496	132	180	02.00-01.05	■
2.5 TDI (BAU)	PR 1LA, PR 1LG	Diesel	FWD	2496	132	180	02.00-01.05	■
2.5 TDI (BDH)	PR 1LA, PR 1LG	Diesel	FWD	2496	132	180	02.00-01.05	■
2.5 TDI quattro (AKE)	PR 1LA, PR 1LG	Diesel	4WD	2496	132	180	02.00-01.05	■
2.5 TDI quattro (BAU)	PR 1LA, PR 1LG	Diesel	4WD	2496	132	180	02.00-01.05	■
2.5 TDI quattro (BDH)	PR 1LA, PR 1LG	Diesel	4WD	2496	132	180	02.00-01.05	■
A6 II C5 (4B2, 4B4) 01.97-12.05							Saloon (Executive car-E Segment)	
1.8 (AJP)	01/01-	Gasolina	FWD	1781	92	125	07.97-01.05	■
1.8 (AQE)	01/01-	Gasolina	FWD	1781	92	125	07.97-01.05	■
1.8 (ARH)	01/01-	Gasolina	FWD	1781	92	125	07.97-01.05	■
1.8 T (AEB)	01/01-	Gasolina	FWD	1781	110	150	01.97-01.05	■
1.8 T (ANB)	01/01-	Gasolina	FWD	1781	110	150	01.97-01.05	■
1.8 T (APU)	01/01-	Gasolina	FWD	1781	110	150	01.97-01.05	■
1.8 T (ARK)	01/01-	Gasolina	FWD	1781	110	150	01.97-01.05	■
1.8 T (AWT)	01/01-	Gasolina	FWD	1781	110	150	01.97-01.05	■
2.4 (AGA)	01/01-	Gasolina	FWD	2393	121	165	02.97-01.05	■
2.4 (ALF)	01/01-	Gasolina	FWD	2393	121	165	02.97-01.05	■
2.4 (AML)	01/01-	Gasolina	FWD	2393	121	165	02.97-01.05	■
2.4 (APS)	01/01-	Gasolina	FWD	2393	121	165	02.97-01.05	■
2.4 (ARJ)	01/01-	Gasolina	FWD	2393	121	165	02.97-01.05	■
2.4 quattro (AGA)	01/01-	Gasolina	4WD	2393	121	165	02.97-01.05	■
2.4 quattro (ALF)	01/01-	Gasolina	4WD	2393	121	165	02.97-01.05	■
2.4 quattro (AML)	01/01-	Gasolina	4WD	2393	121	165	02.97-01.05	■

LISTA DE APLICACIONES - BUYERS GUIDE

2.4 quattro (APS)	01/01-	Gasolina	4WD	2393	121	165	02.97-01.05	■
2.4 quattro (ARJ)	01/01-	Gasolina	4WD	2393	121	165	02.97-01.05	■
2.7 T (AJK)	01/01-	Gasolina	FWD	2671	169	230	02.99-01.05	■
2.7 T quattro (AJK)	01/01-	Gasolina	4WD	2671	169	230	12.97-01.05	■
2.7 T quattro (AZA)	01/01-	Gasolina	4WD	2671	169	230	12.97-01.05	■
2.7		Gasolina	FWD	2671	187	254	05.01-07.04	■
2.7 quattro (APB)	PR 1LA, PR 1LG, discØ 320	Gasolina	4WD	2671	187	254	05.01-07.04	■
2.7 quattro (BEL)	PR 1LA, PR 1LG, discØ 320	Gasolina	4WD	2671	187	254	05.01-07.04	■
2.7		Gasolina	FWD	2671	195	265	11.03-07.04	■
2.8 (ACK)	01/01-	Gasolina	FWD	2771	142	193	02.97-01.05	■
2.8 (ALG)	01/01-	Gasolina	FWD	2771	142	193	02.97-01.05	■
2.8 (AMX)	01/01-	Gasolina	FWD	2771	142	193	02.97-01.05	■
2.8 (APR)	01/01-	Gasolina	FWD	2771	142	193	02.97-01.05	■
2.8 (AQD)	01/01-	Gasolina	FWD	2771	142	193	02.97-01.05	■
2.8 (ATQ)	01/01-	Gasolina	FWD	2771	142	193	02.97-01.05	■
2.8 quattro (ACK)	01/01-	Gasolina	4WD	2771	142	193	02.97-01.05	■
2.8 quattro (ALG)	01/01-	Gasolina	4WD	2771	142	193	02.97-01.05	■
2.8 quattro (AMX)	01/01-	Gasolina	4WD	2771	142	193	02.97-01.05	■
2.8 quattro (APR)	01/01-	Gasolina	4WD	2771	142	193	02.97-01.05	■
2.8 quattro (AQD)	01/01-	Gasolina	4WD	2771	142	193	02.97-01.05	■
2.8 quattro (ATQ)	01/01-	Gasolina	4WD	2771	142	193	02.97-01.05	■
3.0 (BBJ)	PR 1LA, PR 1LG	Gasolina	FWD	2976	160	218	06.01-01.05	■
3.0 quattro (BBJ)	PR 1LA, PR 1LG	Gasolina	4WD	2976	160	218	06.01-07.04	■
3.0 (ASN)		Gasolina	FWD	2976	162	220	08.01-01.05	■
3.0 quattro (ASN)		Gasolina	4WD	2976	162	220	08.01-01.05	■
1.9 TDI (AFN)		Diesel	FWD	1896	81	110	04.97-10.00	■
1.9 TDI (AVG)		Diesel	FWD	1896	81	110	04.97-10.00	■
2.5 TDI (AFB)	PR 1LA, PR 1LG	Diesel	FWD	2496	110	150	07.97-01.05	■
2.5 TDI (AKN)	PR 1LA, PR 1LG	Diesel	FWD	2496	110	150	07.97-01.05	■
2.5 TDI quattro (AFB)	PR 1LA, PR 1LG	Diesel	4WD	2496	110	150	07.97-01.05	■
2.5 TDI quattro (AKN)	PR 1LA, PR 1LG	Diesel	4WD	2496	110	150	07.97-01.05	■
2.5 TDI (AYM)	PR 1LA, PR 1LG	Diesel	FWD	2496	114	155	08.01-01.05	■
2.5 TDI (BCZ)	PR 1LA, PR 1LG	Diesel	FWD	2496	120	163	07.02-01.05	■
2.5 TDI (BDG)	PR 1LA, PR 1LG	Diesel	FWD	2496	120	163	07.02-01.05	■
2.5 TDI (BFC)	PR 1LA, PR 1LG	Diesel	FWD	2496	120	163	07.02-01.05	■
2.5 TDI (AKE)	PR 1LA, PR 1LG	Diesel	FWD	2496	132	180	02.00-01.05	■
2.5 TDI (BAU)	PR 1LA, PR 1LG	Diesel	FWD	2496	132	180	02.00-01.05	■
2.5 TDI (BDH)	PR 1LA, PR 1LG	Diesel	FWD	2496	132	180	02.00-01.05	■
2.5 TDI quattro (AKE)	PR 1LA, PR 1LG	Diesel	4WD	2496	132	180	02.00-01.05	■
2.5 TDI quattro (BAU)	PR 1LA, PR 1LG	Diesel	4WD	2496	132	180	02.00-01.05	■
2.5 TDI quattro (BDH)	PR 1LA, PR 1LG	Diesel	4WD	2496	132	180	02.00-01.05	■
ALLROAD C5 (4BH) 05.00-08.05				Estate (Executive SUV-J Segment)				
2.7 T quattro (ARE)	01/02-	Gasolina	4WD	2671	184	250	05.00-08.05	■
2.7 T quattro (BES)	01/02-	Gasolina	4WD	2671	184	250	05.00-08.05	■
2.7 quattro (APB)	01/02-, PR 1LA, discØ 320	Gasolina	4WD	2671	187	254	09.00-08.05	■
2.7 quattro (BEL)	01/02-, PR 1LA, discØ 320	Gasolina	4WD	2671	187	254	09.00-08.05	■
2.7 T quattro	01/02-	Gasolina	FWD	2695	184	250	05.00-	■
4.2 V8 quattro (BAS)	01/03-	Gasolina	4WD	4163	220	299	07.02-08.05	■
2.5 TDI quattro (BCZ)		Diesel	4WD	2496	120	163	05.03-08.05	■
2.5 TDI quattro (AKE)	01/03-	Diesel	4WD	2496	132	180	05.00-08.05	■
2.5 TDI quattro (BAU)	01/03-	Diesel	4WD	2496	132	180	05.00-08.05	■

LISTA DE APLICACIONES - BUYERS GUIDE