

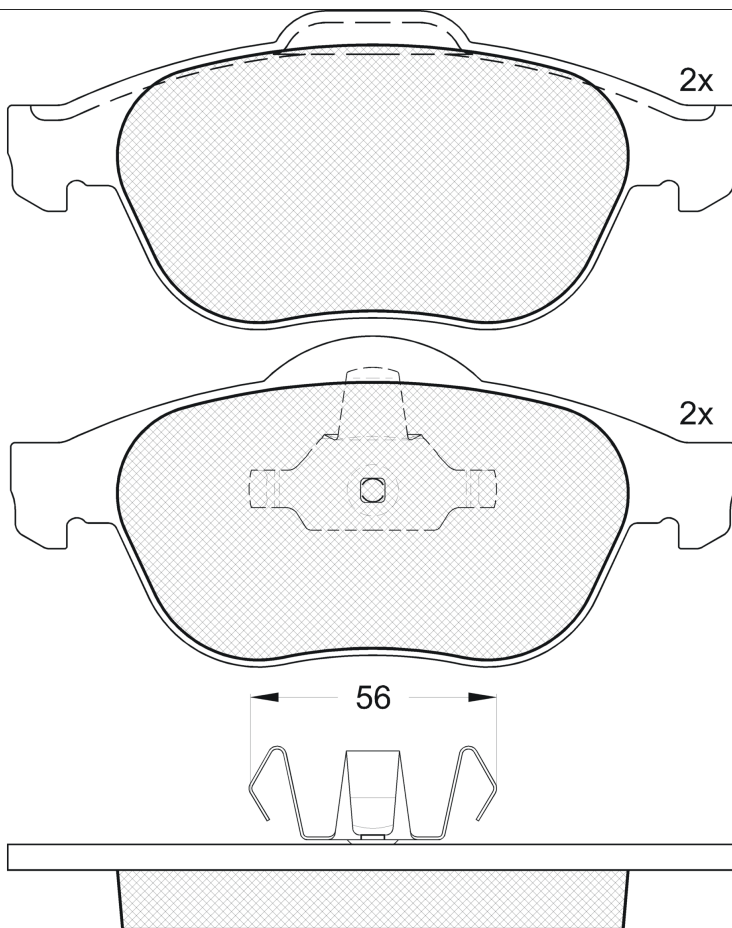
LISTA DE APLICACIONES - BUYERS GUIDE

181533



Qty: 300

Weight: 1.955



181533

E 9 90R-01111/571



Ate - Teves

155.2x70.95x18.2

156.3x68.15x18.2

O.E.M.	MAKE
41 06 077 16R	RENAULT
410603759R	RENAULT
77 01 206 747	RENAULT
77 01 207 615	RENAULT
77 01 207 977	RENAULT
77 01 209 810	RENAULT
77 02 207 615	RENAULT
86 60 004 764	RENAULT
86 71 016 752	RENAULT

WVA	FMSI
23245	D1501-8700
23248	
23660	

MAKE
RENAULT



Trac.	CC	Kw	CV
-------	----	----	----



Front / Rear

RENAULT

ESPACE IV (JK0/1_) 11.02-							MPV (Large MPV-M1 Segment)		
2.0 (JK0K) (F4R 790)	Gasolina	FWD	1998	98	133	11.02-12.15	■		
2.0 (JK09) (F4R 792)	Gasolina	FWD	1998	100	136	11.02-01.15	■		
2.0 Turbo (JK0A, JK0B, JK0N) (F4R 794)	Gasolina	FWD	1998	120	163	11.02-02.06	■		
2.0 Turbo (JK0A, JK0B, JK0N) (F4R 795)	Gasolina	FWD	1998	120	163	11.02-02.06	■		
2.0 Turbo (JK0A, JK0B, JK0N) (F4R 796)	Gasolina	FWD	1998	120	163	11.02-02.06	■		
2.0 Turbo (JK0A, JK0B, JK0N) (F4R 797)	Gasolina	FWD	1998	120	163	11.02-02.06	■		
2.0 (JK0A, JK1D, JK0N) (F4R 796)	Gasolina	FWD	1998	125	170	04.05-12.15	■		
2.0 (JK0A, JK1D, JK0N) (F4R 797)	Gasolina	FWD	1998	125	170	04.05-12.15	■		
2.0 (JK0A, JK1D, JK0N) (F4R 896)	Gasolina	FWD	1998	125	170	04.05-12.15	■		
2.0 (JK0A, JK1D, JK0N) (F4R 897)	Gasolina	FWD	1998	125	170	04.05-12.15	■		
3.5 V6 (JK00, JK0F, JK0P, JK0S, JK0W) (V4Y 711)	Gasolina	FWD	3498	177	241	11.02-12.15	■		
3.5 V6 (JK00, JK0F, JK0P, JK0S, JK0W) (V4Y 715)	Gasolina	FWD	3498	177	241	11.02-12.15	■		
1.9 dCi (JK0U) (F9Q 820)	Diesel	FWD	1870	85	116	04.03-02.05	■		
1.9 dCi (JK0U, JK0G) (F9Q 680)	Diesel	FWD	1870	88	120	11.02-01.15	■		
1.9 dCi (JK0U, JK0G) (F9Q 820)	Diesel	FWD	1870	88	120	11.02-01.15	■		
1.9 dCi (JK0U, JK0G) (F9Q 826)	Diesel	FWD	1870	88	120	11.02-01.15	■		
2.0 dCi (JK02, JK03) (M9R 740)	Diesel	FWD	1995	96	131	01.06-12.15	■		
2.0 dCi (JK02, JK03) (M9R 750)	Diesel	FWD	1995	96	131	01.06-12.15	■		
2.0 dCi (JK02, JK03) (M9R 760)	Diesel	FWD	1995	96	131	01.06-12.15	■		
2.0 dCi (JK02, JK03) (M9R 761)	Diesel	FWD	1995	96	131	01.06-12.15	■		
2.0 dCi (JK02, JK03) (M9R 762)	Diesel	FWD	1995	96	131	01.06-12.15	■		
2.0 dCi (JK02, JK03) (M9R 763)	Diesel	FWD	1995	96	131	01.06-12.15	■		

LISTA DE APLICACIONES - BUYERS GUIDE

2.0 dCi (JK01, JK02, JK1J, JK1K, JK1H) (M9R 740)	Diesel	FWD	1995	110	150	01.06-12.15	■
2.0 dCi (JK01, JK02, JK1J, JK1K, JK1H) (M9R 750)	Diesel	FWD	1995	110	150	01.06-12.15	■
2.0 dCi (JK01, JK02, JK1J, JK1K, JK1H) (M9R 814)	Diesel	FWD	1995	110	150	01.06-12.15	■
2.0 dCi (JK01, JK02, JK1J, JK1K, JK1H) (M9R 815)	Diesel	FWD	1995	110	150	01.06-12.15	■
2.0 dCi (JK01, JK02, JK1J, JK1K, JK1H) (M9R 858)	Diesel	FWD	1995	110	150	01.06-12.15	■
2.0 dCi (JK03, JK04, JK1C, JK1G, JK1J, JK1K) (M9R 760)	Diesel	FWD	1995	127	173	01.06-12.15	■
2.0 dCi (JK03, JK04, JK1C, JK1G, JK1J, JK1K) (M9R 761)	Diesel	FWD	1995	127	173	01.06-12.15	■
2.0 dCi (JK03, JK04, JK1C, JK1G, JK1J, JK1K) (M9R 762)	Diesel	FWD	1995	127	173	01.06-12.15	■
2.0 dCi (JK03, JK04, JK1C, JK1G, JK1J, JK1K) (M9R 763)	Diesel	FWD	1995	127	173	01.06-12.15	■
2.0 dCi (JK03, JK04, JK1C, JK1G, JK1J, JK1K) (M9R 812)	Diesel	FWD	1995	127	173	01.06-12.15	■
2.0 dCi (JK03, JK04, JK1C, JK1G, JK1J, JK1K) (M9R 815)	Diesel	FWD	1995	127	173	01.06-12.15	■
2.0 dCi (JK03, JK04, JK1C, JK1G, JK1J, JK1K) (M9R 859)	Diesel	FWD	1995	127	173	01.06-12.15	■
2.2 dCi (JK07) (G9T 645)	Diesel	FWD	2188	102	139	02.06-12.15	■
2.2 dCi (JK0H) (G9T 742)	Diesel	FWD	2188	110	150	11.02-08.06	■
2.2 dCi (JK0H) (G9T 743)	Diesel	FWD	2188	110	150	11.02-08.06	■
3.0 dCi (P9X 701)	Diesel	FWD	2958	120	163	09.05-01.15	■
3.0 dCi (P9X 715)	Diesel	FWD	2958	120	163	09.05-01.15	■
3.0 dCi (JK0J, JK0V) (P9X 701)	Diesel	FWD	2958	130	177	11.02-08.06	■
3.0 dCi (JK0E, JK0Y) (P9X 715)	Diesel	FWD	2958	133	181	01.06-01.15	■
LAGUNA II (BG0/1_) 03.01-						Hatchback (Large family car-D Segment)	
1.6 16V (BG1G, BG1H) (K4M 716)	Gasolina	FWD	1598	82	112	02.05-08.07	■
2.0 16V Turbo (BG0S, BG1L, BG1M) (F4R 764)	Gasolina	FWD	1998	120	163	01.03-03.05	■
2.0 16V Turbo (BG0S, BG1L, BG1M) (F4R 765)	Gasolina	FWD	1998	120	163	01.03-03.05	■
2.0 16V (BG03, BG0Z, BG0T, BG1Y) (F4R 784)	Gasolina	FWD	1998	125	170	01.05-09.07	■
2.0 16V (BG03, BG0Z, BG0T, BG1Y) (F4R 786)	Gasolina	FWD	1998	125	170	01.05-09.07	■
2.0 16V (BG03, BG0Z, BG0T, BG1Y) (F4R 787)	Gasolina	FWD	1998	125	170	01.05-09.07	■
2.0 16V (BG1Y) (F4R 886)	Gasolina	FWD	1998	150	204	01.05-09.07	■
2.0 16V (BG1Y) (F4R 887)	Gasolina	FWD	1998	150	204	01.05-09.07	■
3.0 V6 24V (BG01, BG02, BG0D, BG0Y) (L7X 731)	Gasolina	FWD	2946	152	207	03.01-08.07	■
2.9 V6 24V	Gasolina	FWD	2946	155	211	03.01-08.07	■
2.9 V6 24V	Gasolina	FWD	2946	157	210	09.02-12.05	■
2.0 dCi (BG1T) (M9R 740)	Diesel	FWD	1995	110	150	08.05-08.06	■
2.0 dCi (BG14, BG1S) (M9R 760)	Diesel	FWD	1995	127	173	01.06-08.07	■
2.2 dCi (BG09) (G9T 600)	Diesel	FWD	2188	85	116	04.04-10.05	■
2.2 dCi (G9T 600)	Diesel	FWD	2188	102	140	05.05-08.07	■
2.2 dCi (G9T 605)	Diesel	FWD	2188	102	140	05.05-08.07	■
2.2 dCi (G9T 706)	Diesel	FWD	2188	102	140	05.05-08.07	■
2.2 dCi (G9T 707)	Diesel	FWD	2188	102	140	05.05-08.07	■
2.2 dCi (BG0F) (G9T 700)	Diesel	FWD	2188	110	150	10.01-08.06	■
2.2 dCi (BG0F) (G9T 702)	Diesel	FWD	2188	110	150	10.01-08.06	■
LAGUNA II Grandtour (KG0/1_) 03.01-						Estate (Large family car-D Segment)	
1.6 16V (K4M 716)	Gasolina	FWD	1598	82	112	02.05-08.07	■
2.0 16V Turbo (KG0S, KG1L, KG03) (F4R 764)	Gasolina	FWD	1998	120	163	01.03-08.05	■

LISTA DE APLICACIONES - BUYERS GUIDE

2.0 16V Turbo (KG0S, KG1L, KG03) (F4R 765)	Gasolina	FWD	1998	120	163	01.03-08.05	■
2.0 16V (KG03, KG0Z, KG0T, KG1Y) (F4R 784)	Gasolina	FWD	1998	125	170	01.05-09.07	■
2.0 16V (KG03, KG0Z, KG0T, KG1Y) (F4R 786)	Gasolina	FWD	1998	125	170	01.05-09.07	■
2.0 16V (KG03, KG0Z, KG0T, KG1Y) (F4R 787)	Gasolina	FWD	1998	125	170	01.05-09.07	■
2.0 16V (KG1Y) (F4R 886)	Gasolina	FWD	1998	150	204	01.05-09.07	■
2.0 16V (KG1Y) (F4R 887)	Gasolina	FWD	1998	150	204	01.05-09.07	■
3.0 V6 24V (KG0D, KG01) (L7X 731)	Gasolina	FWD	2946	152	207	03.01-12.07	■
2.9 V6 24V (L7X 731)	Gasolina	FWD	2946	155	211	10.03-12.07	■
2.9 V6 24V	Gasolina	FWD	2946	157	210	09.02-12.05	■
2.0 dCi (KG1T) (M9R 740)	Diesel	FWD	1995	110	150	08.05-08.06	■
2.0 dCi (KG1S) (M9R 760)	Diesel	FWD	1995	127	173	01.06-12.07	■
2.2 dCi (KG09) (G9T 600)	Diesel	FWD	2188	85	116	04.04-10.05	■
2.2 dCi (KG0F, KG1N) (G9T 600)	Diesel	FWD	2188	102	140	05.05-12.07	■
2.2 dCi (KG0F, KG1N) (G9T 706)	Diesel	FWD	2188	102	140	05.05-12.07	■
2.2 dCi (KG0F, KG1N) (G9T 707)	Diesel	FWD	2188	102	140	05.05-12.07	■
2.2 dCi (KG0F) (G9T 702)	Diesel	FWD	2188	110	150	10.01-08.06	■
VEL SATIS (BJ0_) 06.02-						Hatchback (Executive car-E Segment)	
2.0 Turbo (F4R 867)	Gasolina	FWD	1998	108	147	04.05-08.09	■
2.0 16V Turbo (BJ0K) (F4R 762)	Gasolina	FWD	1998	120	163	06.02-08.09	■
2.0 16V Turbo (BJ0K) (F4R 763)	Gasolina	FWD	1998	120	163	06.02-08.09	■
2.0 16V Turbo (F4R 766)	Gasolina	FWD	1998	125	170	04.04-08.09	■
2.0 16V Turbo (F4R 767)	Gasolina	FWD	1998	125	170	04.04-08.09	■
3.5 (BJ01) (V4Y 715)	Gasolina	FWD	3498	170	231	10.04-08.09	■
3.5 V6 (BJ0R, BJ0V, BJ0U) (V4Y 701)	Gasolina	FWD	3498	177	241	06.02-08.09	■
3.5 V6 (BJ0R, BJ0V, BJ0U) (V4Y 711)	Gasolina	FWD	3498	177	241	06.02-08.09	■
3.5 V6 (BJ0R, BJ0V, BJ0U) (V4Y 715)	Gasolina	FWD	3498	177	241	06.02-08.09	■
2.0 dCi (BJ03) (M9R 760)	Diesel	FWD	1995	110	150	08.05-08.09	■
2.0 dCi (BJ03, BJ0B) (M9R 760)	Diesel	FWD	1995	127	173	01.06-08.09	■
2.0 dCi (BJ03, BJ0B) (M9R 762)	Diesel	FWD	1995	127	173	01.06-08.09	■
2.0 dCi (BJ03, BJ0B) (M9R 763)	Diesel	FWD	1995	127	173	01.06-08.09	■
2.2 dCi (BJ0M) (G9T 700)	Diesel	FWD	2188	83	113	12.04-08.09	■
2.2 dCi (BJ0M) (G9T 702)	Diesel	FWD	2188	83	113	12.04-08.09	■
2.2 dCi (BJ0H) (G9T 600)	Diesel	FWD	2188	85	116	06.02-09.05	■
2.2 dCi (BJ0H) (G9T 702)	Diesel	FWD	2188	85	116	06.02-09.05	■
2.2 dCi (BJ0E, BJ0F, BJ0G, BJ0H) (G9T 600)	Diesel	FWD	2188	102	140	09.04-08.09	■
2.2 dCi (BJ0E, BJ0F, BJ0G, BJ0H) (G9T 606)	Diesel	FWD	2188	102	140	09.04-08.09	■
2.2 dCi (BJ0E, BJ0F, BJ0G, BJ0H) (G9T 607)	Diesel	FWD	2188	102	140	09.04-08.09	■
2.2 dCi (BJ0E, BJ0F, BJ0G, BJ0H) (G9T 700)	Diesel	FWD	2188	102	140	09.04-08.09	■
2.2 dCi (BJ0E, BJ0F, BJ0G, BJ0H) (G9T 702)	Diesel	FWD	2188	102	140	09.04-08.09	■
2.2 dCi (BJ0E, BJ0F) (G9T 702)	Diesel	FWD	2188	110	150	06.02-08.09	■
2.2 dCi (BJ0E, BJ0F) (G9T 703)	Diesel	FWD	2188	110	150	06.02-08.09	■
3.0 dCi (BJ0J, BJ0N) (P9X 701)	Diesel	FWD	2958	130	177	06.02-06.06	■
3.0 dCi (BJ0S) (P9X 715)	Diesel	FWD	2958	133	181	06.06-08.09	■