

LISTA DE APLICACIONES - BUYERS GUIDE

181538

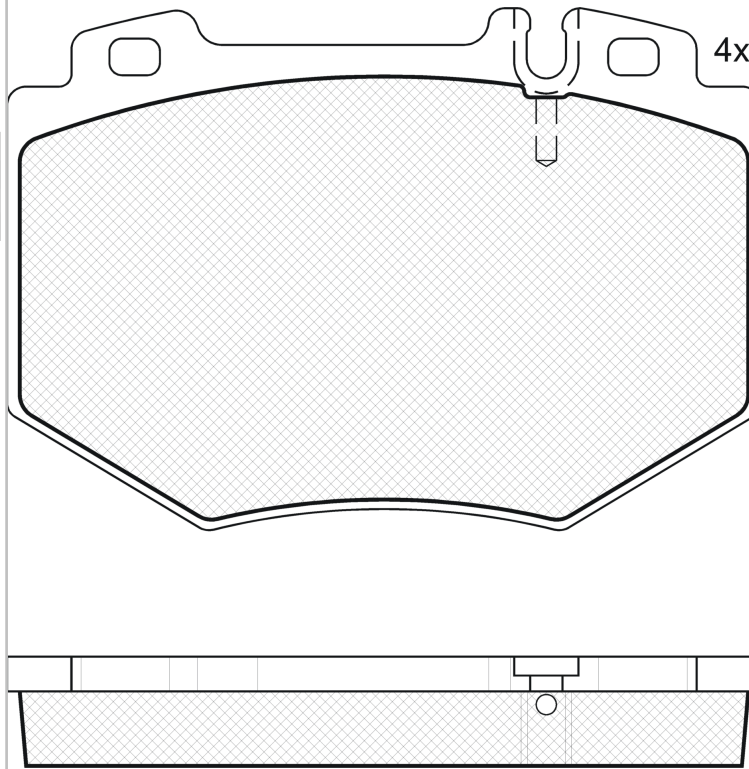


8 424073 085429

Qty: 300

Weight: 2.273

O.E.M.	MAKE
003 420 33 20	MERCEDES-BENZ
003 420 61 20	MERCEDES-BENZ
004 420 06 20	MERCEDES-BENZ



181538

E 9 90R-01111/1021



Brembo

119.4x82.6x17.3

WVA	FMSI
23285	D985-7887
24140	
MAKE	
MERCEDES-BENZ	



Trac.	CC	Kw	CV
-------	----	----	----



Front / Rear

MERCEDES-BENZ

S-Class IV (W220, V220) 09.98-12.06	Saloon (Luxury car-F Segment)						
S 350 4-matic (220.087, 220.187) (M 112.975)	Gasolina	4WD	3724	180	245	06.03-08.05	■
S 430 4-matic (220.083, 220.183) (M 113.948)	Gasolina	4WD	4266	205	279	09.02-08.05	■
S 500 (220.075, 220.175, 220.875) (M 113.960)	Gasolina	RWD	4966	220	299	10.98-12.03	■
S 500, S 500 L (220.075, 220.175, 220.875) (M 113.960)	Gasolina	RWD	4966	225	306	10.98-08.05	■
S 500, S 500 L (220.075, 220.175, 220.875) (M 113.966)	Gasolina	RWD	4966	225	306	10.98-08.05	■
S 500 4-matic (220.084, 220.184) (M 113.966)	Gasolina	4WD	4966	225	306	09.02-08.05	■
S 600, S 600 L (220.176) (M 275.950)	Gasolina	RWD	5513	368	500	09.02-08.05	■
S 600, S 600 L (220.878, 220.178) (M 137.970)	Gasolina	RWD	5786	270	367	01.00-08.05	■
S 65 AMG, S 65 AMG L (220.179) (M 275.980)	Gasolina	RWD	5980	450	612	03.04-08.05	■
S 400 CDI (220.028, 220.128) (OM 628.960)	Diesel	RWD	3996	191	260	06.03-08.05	■