

LISTA DE APLICACIONES - BUYERS GUIDE

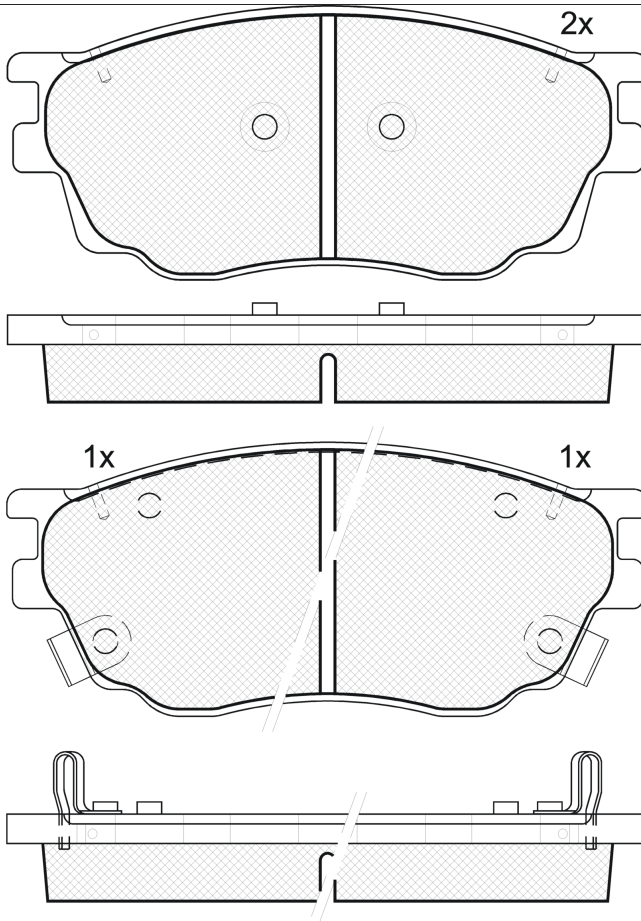
181542



Qty: 300

Weight: 1.618

O.E.M.	MAKE
G2YD-33-23Z	MAZDA
G2YD3328Z	MAZDA
GJYA-33-23ZA	MAZDA
GJYA-33-23ZB	MAZDA
GJYA-33-23ZC	MAZDA
GJYA-33-23ZD	MAZDA
GJYA3328ZB	MAZDA
GJYA3328ZC	MAZDA
GJYB-33-23ZB	MAZDA
GJYB-33-23ZC	MAZDA
GJYB-33-23ZD	MAZDA
GJYB-33-28ZB	MAZDA
GJYB-33-28ZC	MAZDA
GJYB-33-28ZD	MAZDA
GJYC-33-23Z	MAZDA
GJYC-33-28Z	MAZDA
GJYC-33-28Z9C	MAZDA



181542

90R-01111/1063



Akebono

131.4x56.1x17.8

WVA	FMSI
24246	D1642-8869
24247	
24248	
24249	

MAKE
LANDWIND (JMC)
MAZDA



Trac.	CC	Kw	CV
-------	----	----	----



Front / Rear

LANDWIND (JMC)

X6 06.01-	SUV (Compact SUV-J Segment)							
2.0	Gasolina	RWD	1997	84	114	01.03-12.15	■	
2.0	Gasolina	FWD	1998	84	114	06.01-	■	
2.4	Gasolina	RWD	2351	92	125	06.01-12.09	■	
2.4 A las 4 ruedas (4G64)	Gasolina	4WD	2351	92	125	06.01-12.09	■	
2.4 A las 4 ruedas (4G64-S4M)	Gasolina	4WD	2351	92	125	06.01-12.09	■	
2.5 D	Diesel	RWD	2499	105	143	07.07-	■	
2.5 D	Diesel	RWD	2499	105	143	07.07-	■	
2.8 TD	Diesel	RWD	2771	62	84	06.01-12.08	■	
2.8 TD A las 4 ruedas	Diesel	4WD	2771	62	84	06.01-12.09	■	
2.8 D	Diesel	RWD	2771	68	91	01.03-	■	
2.8 TD A las 4 ruedas (JX493ZQ)	Diesel	4WD	2771	68	91	01.03-12.09	■	

MAZDA

6 / ATENZA (GG) 08.02-12.08	Hatchback (Executive car-E Segment)							
1.8 (L813)	Gasolina	FWD	1798	88	120	08.02-08.07	■	
6 / ATENZA (GG) 06.02-12.08	Saloon (Executive car-E Segment)							
1.8 (L813)	Gasolina	FWD	1798	88	120	08.02-08.07	■	
1.8 (L829)	Gasolina	FWD	1798	88	120	08.02-08.07	■	
6 / ATENZA Station Wagon (GY) 01.02-02.08	Estate (Executive car-E Segment)							
1.8 (L813)	Gasolina	FWD	1798	88	120	08.02-08.07	■	