

# LISTA DE APLICACIONES - BUYERS GUIDE

## 181543-208

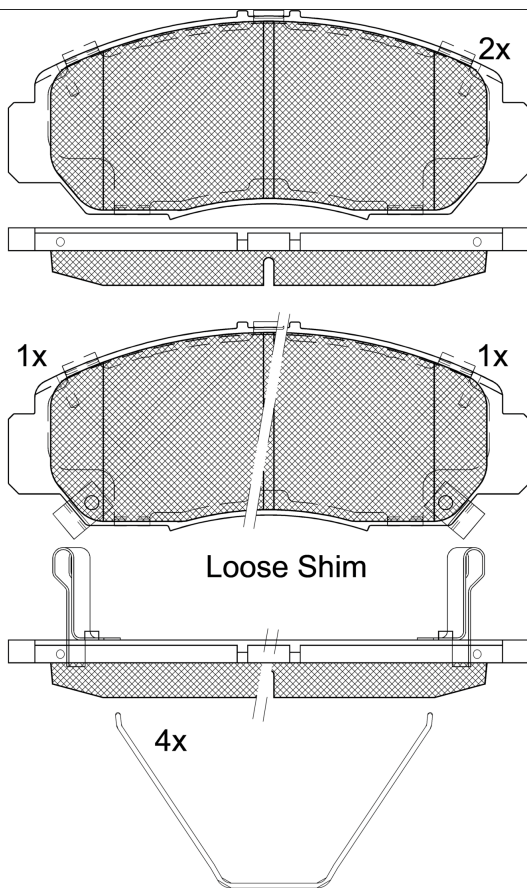


8 424073 166555

Qty: 300

Weight: 1.995

| O.E.M.        | MAKE  |
|---------------|-------|
| 45022-TR0-E01 | HONDA |
| 45022-TR0-E02 | HONDA |
| 45022-TR0-E0W | HONDA |
| 45022-TSE-K00 | HONDA |



1-Ref. 690502 E

## 181543-208

E 9 90R-02A0111/5002



Sumitomo

148.7x59.6x17

| WVA   | FMSI       |
|-------|------------|
| 25466 | D1608-8392 |
| 25467 |            |
| 25468 |            |
| MAKE  |            |
| HONDA |            |



| Trac. | CC | Kw | CV |  |              |
|-------|----|----|----|--|--------------|
|       |    |    |    |  | Front / Rear |

### HONDA

| ACCORD VII / ACCOR EURO (CL, CN) 01.03-09.12 |        |          |     |      |     | Saloon (Executive car-E Segment)                |             |  |   |
|--|--------|----------|-----|------|-----|---|-------------|--|---|
| Euro V6                                      | 01/03- | Gasolina | FWD |      |     | 01.03-  |             |  | ■ |
| ACCORD VIII (CP) 09.07-                      |        |          |     |      |     | Saloon (Executive car-E Segment)                |             |  |   |
| 2.4  |        | Gasolina | FWD | 2354 | 136 | 185   | 02.08-      |  | ■ |
| 3.5 V 6 (CP3) (J35Z2)                        |        | Gasolina | FWD | 3471 | 202 | 275   | 09.07-09.12 |  | ■ |
| BR-V (DG_) 02.16-                            |        |          |     |      |     | Closed Off-Road Vehicle (Compact SUV-J Segment) |             |  |   |
| 1.5  |        | Gasolina | FWD | 1497 | 86  | 117   | 02.16-      |  | ■ |
| 1.5  |        | Gasolina | FWD | 1497 | 88  | 120   | 02.16-      |  | ■ |
| CIVIC IX 01.12-                              |        |          |     |      |     | Coupe (Compact car-C Segment)                   |             |  |   |
| 1.8  |        | Gasolina | FWD | 1798 | 104 | 141   | 01.12-      |  | ■ |
| 2.4  |        | Gasolina | FWD | 2354 | 150 | 204   | 01.12-      |  | ■ |
| CIVIC IX (FK) 02.12-                         |        |          |     |      |     | Hatchback (Compact car-C Segment)               |             |  |   |
| 1.4 i-VTEC (FK1) (L13Z4)                     |        | Gasolina | FWD | 1339 | 73  | 99  | 02.12-12.16 |  | ■ |
| 1.8 i-VTEC (FK2) (R18Z4)                     |        | Gasolina | FWD | 1798 | 104 | 141   | 02.12-12.16 |  | ■ |
| 1.6 i-DTEC (FK3) (N16A1)                     |        | Diesel   | FWD | 1597 | 88  | 120   | 02.13-12.16 |  | ■ |
| 2.2 i-DTEC (FK3) (N22B4)                     |        | Diesel   | FWD | 2199 | 110 | 150   | 02.12-12.16 |  | ■ |
| CIVIC IX (FB) 09.11-                         |        |          |     |      |     | Saloon (Compact car-C Segment)                  |             |  |   |
| 1.5 Hybrid                                   |        | Gasolina | FWD | 1497 | 82  | 112   | 06.12-      |  | ■ |
| 1.8 (FB2) (R18Z1)                            |        | Gasolina | FWD | 1799 | 104 | 141   | 02.12-12.16 |  | ■ |
| 1.8 (FB2) (R18Z4)                            |        | Gasolina | FWD | 1799 | 104 | 141   | 02.12-12.16 |  | ■ |
| 2.0 (FB3)                                    |        | Gasolina | FWD | 1997 | 114 | 155   | 06.12-12.16 |  | ■ |

# LISTA DE APLICACIONES - BUYERS GUIDE

|   |        |                  |     |      |  |     |             |   |
|---|--------|------------------|-----|------|--|-----|-------------|---|
| <b>CIVIC VII (ES, ET) 10.00-04.06</b>       |        |                  |     |      | <b>Saloon (Compact car-C Segment)</b>    |     |             |   |
| 1.8   |        | Gasolina         | FWD | 1799 | 103                                      | 140 | 02.01-09.05 | ■ |
| <b>CIVIC VIII (FN, FK) 09.05-</b>           |        |                  |     |      | <b>Hatchback (Compact car-C Segment)</b> |     |             |   |
| 1.8 GX                                      | 01/06- | Gasolina         | FWD | 1795 | 83                                       | 113 | 09.05-      | ■ |
| <b>CIVIC VIII / BALLADE (FD, FA) 09.05-</b> |        |                  |     |      | <b>Saloon (Compact car-C Segment)</b>    |     |             |   |
| 1.3 IMA (FA3, FD3) (LDA2)                   |        | Gasol./el<br>éc. | FWD | 1339 | 70                                       | 95  | 01.06-12.12 | ■ |
| <b>FR-V / EDIX (BE) 08.04-</b>              |        |                  |     |      | <b>MPV (Compact MPV-M1 Segment)</b>      |     |             |   |
| 1.7 (BE1) (D17A2)                           | 01/05- | Gasolina         | FWD | 1668 | 92                                       | 125 | 08.04-09.06 | ■ |
| 1.8 (BE1) (R18A1)                           |        | Gasolina         | FWD | 1799 | 103                                      | 140 | 01.07-12.09 | ■ |
| 2.0 (BE3) (K20A9)                           |        | Gasolina         | FWD | 1998 | 110                                      | 150 | 02.05-12.06 | ■ |
| 2.2 i CTDi (BE5) (N22A1)                    |        | Diesel           | FWD | 2204 | 103                                      | 140 | 07.05-12.09 | ■ |