

# LISTA DE APLICACIONES - BUYERS GUIDE

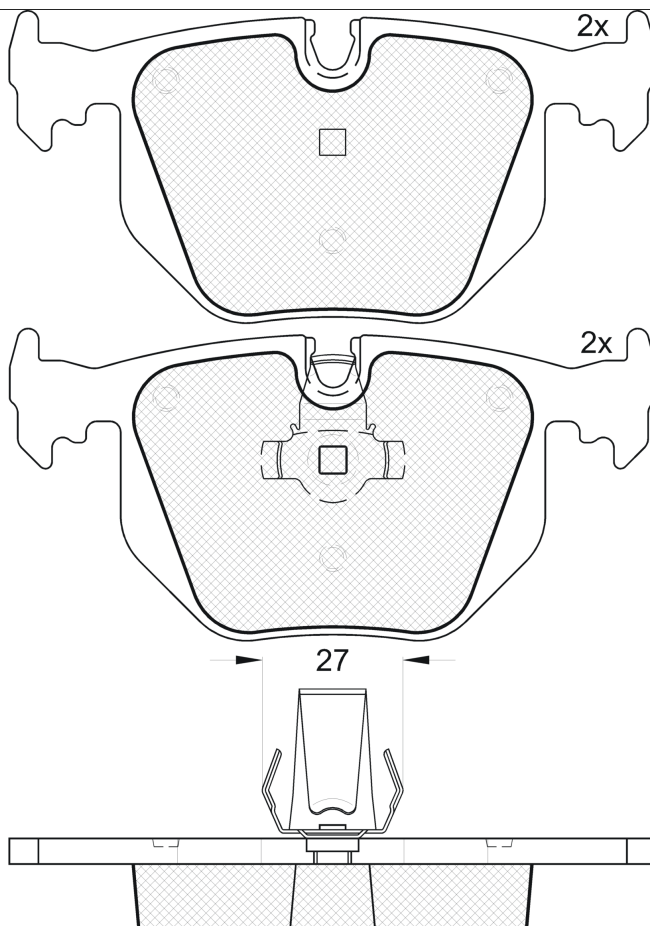
## 181549



Qty: 944

Weight: 1.125

O.E.M.	MAKE
34 21 1 162 862	BMW
34 21 1 163 324	BMW
34 21 1 163 326	BMW
34 21 1 163 833	BMW
34 21 1 163 833.4	BMW
34 21 1 164 581	BMW
34 21 1 164 582	BMW
34 21 2 157 576	BMW
34 21 2 180 421	BMW
34 21 2 357 231	BMW
34 21 6 750 160	BMW
34 21 6 752 632	BMW
34 21 6 761 240	BMW
34 21 6 761 247	BMW
34 21 6 761 248	BMW
34 21 6 761 250	BMW
34 21 6 761 251	BMW
34 21 6 790 071	BMW



## 181549

E 9 90R-01110/824



Ate - Teves

123.1x59.2x17.3

VVA	FMSI
21282	D683-7427
21487	
MAKE	
ALPINA	
BMW	
LAND ROVER	



Trac.	CC	Kw	CV
-------	----	----	----



Front / Rear

### ALPINA

#### ROADSTER V8 (E52) 06.02-10.03

Convertible (Sports car-S Segment)

4.8 V8 (M62 B48 (488S2))	Gasolina	RWD	4837	280	381	06.02-10.03	■
--------------------------	----------	-----	------	-----	-----	-------------	---

### BMW

#### 3 Serie IV (E46) 04.00-12.07

Convertible (Compact executive car-D Segment)

330 Ci (M54 B30 (306S3))	Gasolina	RWD	2979	170	231	06.00-08.06	■
M3 (S54 B32 (326S4))	Gasolina	RWD	3246	252	343	03.01-08.06	■
330 Cd (M57 D30 (306D2))	Diesel	RWD	2993	150	204	08.05-12.07	■

#### 3 Serie IV (E46) 12.98-07.06

Coupe (Compact executive car-D Segment)

330 Ci (M54 B30 (306S3))	Gasolina	RWD	2979	170	231	06.00-05.06	■
M3 (S54 B32 (326S4))	Gasolina	RWD	3246	252	343	07.00-05.06	■
M3 CSL (S54 B32 (326S4))	Gasolina	RWD	3246	265	360	05.03-12.03	■
330 Cd (M57 D30 (306D2))	Diesel	RWD	2993	150	204	03.03-07.06	■

#### 3 Serie IV (E46) 12.97-05.05

Saloon (Compact executive car-D Segment)

325i (M54 B25 (256S5))	sports package, increased payload	Gasolina	RWD	2494	141	192	09.00-02.05	■
325 xi (M54 B25 (256S5))	increased payload	Gasolina	4WD	2494	141	192	09.00-02.05	■
330i (M54 B30 (306S3))		Gasolina	RWD	2979	168	228	01.01-04.05	■
330i (M54 B30 (306S3))		Gasolina	RWD	2979	170	231	06.00-02.05	■
330 xi (M54 B30 (306S3))		Gasolina	4WD	2979	170	231	06.00-02.05	■
330 d (M57 D30 (306D1))		Diesel	RWD	2926	135	184	10.99-02.05	■
330 xd (M57 D30 (306D1))		Diesel	4WD	2926	135	184	01.00-02.03	■
330 d (M57 D30 (306D2))		Diesel	RWD	2993	150	204	03.03-02.05	■
330 xd (M57 D30 (306D2))		Diesel	4WD	2993	150	204	09.02-12.04	■

# LISTA DE APLICACIONES - BUYERS GUIDE

<b>3 Serie IV Touring (E46) 06.99-07.05</b>					<b>Estate (Compact executive car-D Segment)</b>			
330i (M54 B30 (306S3))		Gasolina	RWD	2979	170	231	06.00-02.05	■
330 xi (M54 B30 (306S3))		Gasolina	4WD	2979	170	231	06.00-02.05	■
330 d (M57 D30 (306D1))		Diesel	RWD	2926	135	184	10.99-02.05	■
330 xd (M57 D30 (306D1))		Diesel	4WD	2926	135	184	01.00-03.03	■
330 d (M57 D30 (306D2))		Diesel	RWD	2993	150	204	03.03-02.05	■
330 xd (M57 D30 (306D2))		Diesel	4WD	2993	150	204	08.02-05.05	■
<b>5 Serie IV (E39) 09.95-12.03</b>					<b>Saloon (Executive car-E Segment)</b>			
M5 (S62 B50 (508S1))		Gasolina	RWD	4941	294	400	10.98-06.03	■
M5		Gasolina	FWD	4988	230	313	09.98-06.03	■
<b>7 Serie III (E38) 03.94-12.01</b>					<b>Saloon (Luxury car-F Segment)</b>			
728 i, iL (M52 B28 (286S1))		Gasolina	RWD	2793	142	193	08.95-11.01	■
728 i, iL (M52 B28 (286S2))		Gasolina	RWD	2793	142	193	08.95-11.01	■
728i X (M52 B28 (286S1))		Gasolina	4WD	2793	142	193	11.95-09.01	■
730 i, iL (M60 B30 (308S1))		Gasolina	RWD	2997	155	211	10.94-11.01	■
730 i, iL (M60 B30 (308S1))		Gasolina	RWD	2997	160	218	03.94-02.96	■
735 i, iL (M62 B35 (358S1))		Gasolina	RWD	3498	173	235	03.96-08.98	■
735 i, iL (M62 B35 (358S2))		Gasolina	RWD	3498	175	238	09.98-07.01	■
740 i, iL (M60 B40 (408S1))		Gasolina	RWD	3982	210	286	03.94-02.96	■
740 i, iL (M62 B44 (448S1))		Gasolina	RWD	4398	210	286	02.96-07.01	■
740 i, iL (M62 B44 (448S2))		Gasolina	RWD	4398	210	286	02.96-07.01	■
750 i,iL (M73 B54 (54121))		Gasolina	RWD	5379	240	326	11.94-07.01	■
750 i,iL (M73 B54 (54122))		Gasolina	RWD	5379	240	326	11.94-07.01	■
750 i,iL (M73 B54 (54122))		Gasolina	RWD	5379	243	330	09.98-07.01	■
725 tds (M51 D25 (256T1))		Diesel	RWD	2497	105	143	04.96-11.01	■
730 d (M57 D30 (306D1))		Diesel	RWD	2926	135	184	08.98-04.00	■
730 d (M57 D30 (306D1))		Diesel	RWD	2926	142	193	04.00-11.01	■
740 d (M67 D39 (398D1))		Diesel	RWD	3901	180	245	05.99-11.01	■
<b>X3 (E83) 01.03-12.11</b>					<b>SUV (Luxury Crossover SUV-J Segment)</b>			
2.0 i (N46 B20 B)		Gasolina	4WD	1995	110	150	07.05-08.08	■
xDrive20i (N46 B20 B)	-12/10	Gasolina	4WD	1995	110	150	09.08-08.11	■
2.5 i (M54 B25 (256S5))		Gasolina	4WD	2494	141	192	03.04-07.06	■
2.5 si (N52 B25 A)		Gasolina	4WD	2497	160	218	08.06-08.08	■
2.5 si (N52 B25 AF)		Gasolina	4WD	2497	160	218	08.06-08.08	■
2.5 si (N52 B25 BF)		Gasolina	4WD	2497	160	218	08.06-08.08	■
xDrive 25 i (N52 B25 A)		Gasolina	4WD	2497	160	218	09.08-08.10	■
xDrive 25 i (N52 B25 AF)		Gasolina	4WD	2497	160	218	09.08-08.10	■
xDrive 25 i (N52 B25 BF)		Gasolina	4WD	2497	160	218	09.08-08.10	■
3.0 i xDrive (M54 B30 (306S3))		Gasolina	4WD	2979	170	231	09.03-07.06	■
xDrive 30 i		Gasolina	4WD	2996	160	218	08.06-08.10	■
3.0 Si (N52 B30 A)		Gasolina	4WD	2996	194	264	09.06-08.08	■
3.0 Si (N52 B30 A)		Gasolina	4WD	2996	200	272	08.06-08.08	■
3.0 Si (N52 B30 BF)		Gasolina	4WD	2996	200	272	08.06-08.08	■
xDrive 30 i (N52 B30 A)		Gasolina	4WD	2996	200	272	09.08-08.10	■
xDrive 30 i (N52 B30 BF)		Gasolina	4WD	2996	200	272	09.08-08.10	■
xDrive 18 d (N47 D20 C)	-12/10	Diesel	4WD	1995	105	143	09.08-12.11	■
2.0 D (M47 D20 (204D4))		Diesel	4WD	1995	110	150	09.04-08.07	■
xDrive 20 d (N47 D20 A)		Diesel	4WD	1995	120	163	09.08-08.10	■
xDrive 20 d (N47 D20 C)		Diesel	4WD	1995	120	163	09.08-08.10	■

# LISTA DE APLICACIONES - BUYERS GUIDE

2.0 sd (N47 D20 A)		Diesel	4WD	1995	130	177	09.07-08.08	■	
xDrive 20 d (N47 D20 A)		Diesel	4WD	1995	130	177	09.08-08.10	■	
xDrive 20 d (N47 D20 C)		Diesel	4WD	1995	130	177	09.08-08.10	■	
3.0 D (M57 D30 (306D2))		Diesel	4WD	2993	150	204	01.04-08.05	■	
xDrive 30 d (M57 D30 (306D3))		Diesel	4WD	2993	155	211	09.08-08.10	■	
3.0 D (M57 D30 (306D3))		Diesel	4WD	2993	160	218	09.05-08.08	■	
xDrive 30 d (M57 D30 (306D3))		Diesel	4WD	2993	160	218	09.08-08.10	■	
3.0 sd (M57 D30 (306D5))		Diesel	4WD	2993	210	286	09.06-08.08	■	
xDrive 35 d (M57 D30 (306D5))	-12/10	Diesel	4WD	2993	210	286	09.08-08.11	■	
<b>X5 (E53) 01.00-12.06</b>					<b>SUV (Luxury Crossover SUV-J Segment)</b>				
3.0 i		Gasolina	FWD	2979	163	222	05.00-12.06	■	
3.0 i		Gasolina	4WD	2979	168	228	06.00-12.06	■	
3.0 i (M54 B30 (306S3))		Gasolina	4WD	2979	170	231	04.00-10.06	■	
4.4 i (M62 B44 (448S2))		Gasolina	4WD	4398	210	286	01.00-09.03	■	
4.4 i (N62 B44 A)		Gasolina	4WD	4398	235	320	10.03-10.06	■	
4.6 is (M62 B46 (468S1))		Gasolina	4WD	4619	255	347	10.01-09.03	■	
4.8 is (N62 B48 A)		Gasolina	4WD	4799	265	360	04.04-09.06	■	
3.0 D (M57 D30 (306D1))		Diesel	4WD	2925	135	184	04.01-09.03	■	
3.0 D (M57 D30 (306D2))		Diesel	4WD	2993	155	211	10.03-09.06	■	
3.0 D (M57 D30 (306D2))		Diesel	4WD	2993	160	218	10.03-09.06	■	
<b>Z4 (U.S.A.) 09.02-12.08</b>					<b>Convertible (Sports car-S Segment)</b>				
M		Gasolina	FWD				09.02-12.07	■	
3.2		Gasolina	FWD	3246	235	315	09.05-12.07	■	
M (S54 B32 (326S4))		Gasolina	RWD	3246	252	343	01.06-08.08	■	
<b>Z4 (E86) 03.06-12.09</b>					<b>Coupe (Sports car-S Segment)</b>				
M		Gasolina	FWD	3246	235	315	03.06-12.07	■	
M (S54 B32 (326S4))		Gasolina	RWD	3246	252	343	04.06-08.08	■	
<b>Z8 (E52) 01.00-12.03</b>					<b>Convertible (Sports car-S Segment)</b>				
4.9 (S62 B50 (508S1))		Gasolina	RWD	4941	294	400	01.00-12.03	■	
<b>LAND ROVER</b>									
<b>RANGE ROVER III (L322) 03.02-12.12</b>					<b>Closed Off-Road Vehicle (Luxury Crossover SUV-J Segment)</b>				
3.0 D 4x4 (306D1)	not armoured vehicl.	Diesel	4WD	2926	130	177	03.02-08.12	■	