

LISTA DE APLICACIONES - BUYERS GUIDE

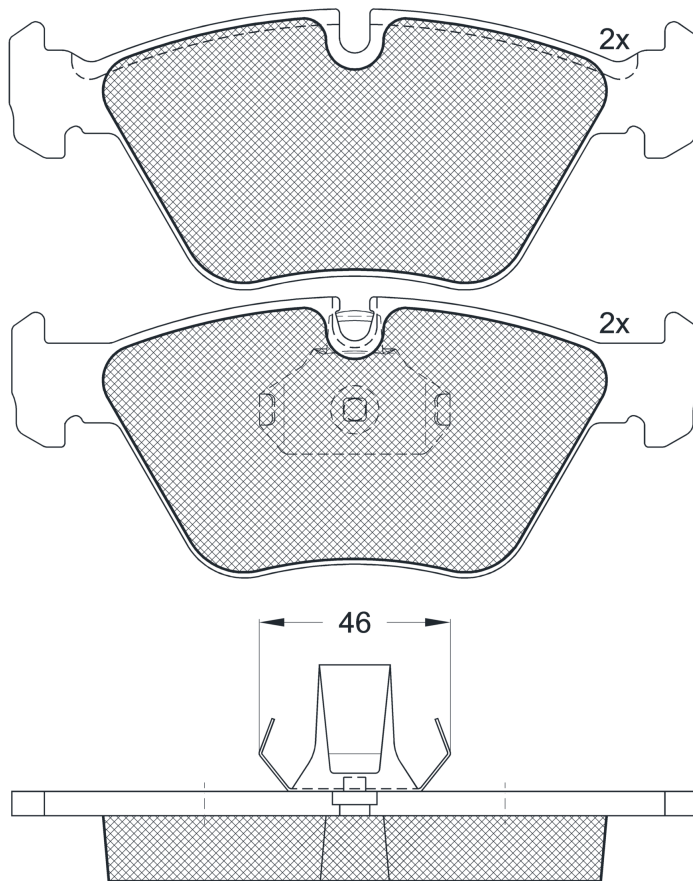
181550



Qty: 300

Weight: 1.970

O.E.M.	MAKE
34 11 2 157 573	BMW
34 11 2 357 229	BMW
34 11 2 357 270	BMW
34 11 3 404 362	BMW
34 11 6 750 148	BMW
34 11 6 754 705	BMW
34 11 6 761 243	BMW
34 11 6 779 652	BMW
SFP000040	ROVER



181550

E 9 90R-01111/618



Ate - Teves

155.1x63.6x20.3

156.25x63.51x20.3

WVA	FMSI
21676	D946-7592
23182	
23183	

MAKE
BMW
MG
ROVER



Trac.	CC	Kw	CV
-------	----	----	----



Front / Rear

BMW

3 Serie IV (E46) 04.00-12.07						Convertible (Compact executive car-D Segment)			
330 Ci (M54 B30 (306S3))		Gasolina	RWD	2979	170	231	06.00-08.06	■	
320 Cd (M47 D20 (204D4))		Diesel	RWD	1995	110	150	02.05-12.07	■	
330 Cd (M57 D30 (306D2))		Diesel	RWD	2993	150	204	08.05-12.07	■	
3 Serie IV (E46) 12.98-07.06						Coupe (Compact executive car-D Segment)			
330 Ci (M54 B30 (306S3))	-12/05	Gasolina	RWD	2979	170	231	06.00-05.06	■	
320 Cd (M47 D20 (204D4))	-12/05	Diesel	RWD	1995	110	150	11.03-07.06	■	
330 Cd (M57 D30 (306D2))	-12/05	Diesel	RWD	2993	150	204	03.03-07.06	■	
3 Serie IV (E46) 12.97-05.05						Saloon (Compact executive car-D Segment)			
325i (M54 B25 (256S5))		Gasolina	RWD	2494	141	192	09.00-02.05	■	
325 xi (M54 B25 (256S5))		Gasolina	4WD	2494	141	192	09.00-02.05	■	
330i (M54 B30 (306S3))		Gasolina	RWD	2979	168	228	01.01-04.05	■	
330i (M54 B30 (306S3))		Gasolina	RWD	2979	170	231	06.00-02.05	■	
330 xi (M54 B30 (306S3))		Gasolina	4WD	2979	170	231	06.00-02.05	■	
330 d (M57 D30 (306D1))	-12/03	Diesel	RWD	2926	135	184	10.99-02.05	■	
330 xd (M57 D30 (306D1))		Diesel	4WD	2926	135	184	01.00-02.03	■	
330 d (M57 D30 (306D2))		Diesel	RWD	2993	150	204	03.03-02.05	■	
330 xd (M57 D30 (306D2))		Diesel	4WD	2993	150	204	09.02-12.04	■	
3 Serie IV Touring (E46) 06.99-07.05						Estate (Compact executive car-D Segment)			
330i (M54 B30 (306S3))		Gasolina	RWD	2979	170	231	06.00-02.05	■	
330 xi (M54 B30 (306S3))		Gasolina	4WD	2979	170	231	06.00-02.05	■	
330 d (M57 D30 (306D1))	-12/03	Diesel	RWD	2926	135	184	10.99-02.05	■	

LISTA DE APLICACIONES - BUYERS GUIDE

330 xd (M57 D30 (306D1))		Diesel	4WD	2926	135	184	01.00-03.03	■
330 d (M57 D30 (306D2))		Diesel	RWD	2993	150	204	03.03-02.05	■
330 xd (M57 D30 (306D2))		Diesel	4WD	2993	150	204	08.02-05.05	■
X3 (E83) 01.03-12.11					SUV (Luxury Crossover SUV-J Segment)			
2.0 i (N46 B20 B)		Gasolina	4WD	1995	110	150	07.05-08.08	■
xDrive20i (N46 B20 B)	-12/10	Gasolina	4WD	1995	110	150	09.08-08.11	■
2.5 si (M54 B25 (256S5))		Gasolina	4WD	2494	141	192	03.04-07.06	■
2.5 si xDrive (N52 B25 A)		Gasolina	4WD	2497	155	211	08.06-08.08	■
2.5 si xDrive (N52 B25 AF)		Gasolina	4WD	2497	155	211	08.06-08.08	■
2.5 si xDrive (N52 B25 BF)		Gasolina	4WD	2497	155	211	08.06-08.08	■
xDrive 25 i (N52 B25 A)		Gasolina	4WD	2497	155	211	09.08-08.10	■
xDrive 25 i (N52 B25 AF)		Gasolina	4WD	2497	155	211	09.08-08.10	■
xDrive 25 i (N52 B25 BF)		Gasolina	4WD	2497	155	211	09.08-08.10	■
2.5 si (N52 B25 A)		Gasolina	4WD	2497	160	218	08.06-08.08	■
2.5 si (N52 B25 AF)		Gasolina	4WD	2497	160	218	08.06-08.08	■
2.5 si (N52 B25 BF)		Gasolina	4WD	2497	160	218	08.06-08.08	■
xDrive 25 i (N52 B25 A)		Gasolina	4WD	2497	160	218	09.08-08.10	■
xDrive 25 i (N52 B25 AF)		Gasolina	4WD	2497	160	218	09.08-08.10	■
xDrive 25 i (N52 B25 BF)		Gasolina	4WD	2497	160	218	09.08-08.10	■
3.0 i xDrive (M54 B30 (306S3))		Gasolina	4WD	2979	170	231	09.03-07.06	■
xDrive 30 i		Gasolina	4WD	2996	160	218	08.06-08.10	■
3.0 Si (N52 B30 A)	discØ 325	Gasolina	4WD	2996	194	264	09.06-08.08	■
xDrive 30 i (N52 B30 A)	discØ 325	Gasolina	4WD	2996	194	264	09.08-08.10	■
3.0 Si (N52 B30 A)		Gasolina	4WD	2996	200	272	08.06-08.08	■
3.0 Si (N52 B30 BF)		Gasolina	4WD	2996	200	272	08.06-08.08	■
xDrive 30 i (N52 B30 A)		Gasolina	4WD	2996	200	272	09.08-08.10	■
xDrive 30 i (N52 B30 BF)		Gasolina	4WD	2996	200	272	09.08-08.10	■
xDrive 18 d (N47 D20 C)		Diesel	4WD	1995	100	136	04.09-12.11	■
xDrive 18 d (N47 D20 C)	-12/10	Diesel	4WD	1995	105	143	09.08-12.11	■
2.0 D (M47 D20 (204D4))		Diesel	4WD	1995	110	150	09.04-08.07	■
xDrive 20 d (N47 D20 A)		Diesel	4WD	1995	120	163	09.08-08.10	■
xDrive 20 d (N47 D20 C)		Diesel	4WD	1995	120	163	09.08-08.10	■
2.0 sd (N47 D20 A)		Diesel	4WD	1995	130	177	09.07-08.08	■
xDrive 20 d (N47 D20 A)		Diesel	4WD	1995	130	177	09.08-08.10	■
xDrive 20 d (N47 D20 C)		Diesel	4WD	1995	130	177	09.08-08.10	■
3.0 D (M57 D30 (306D2))		Diesel	4WD	2993	150	204	01.04-08.05	■
3.0 D (M57 D30 (306D3))		Diesel	4WD	2993	155	211	09.05-08.08	■
xDrive 30 d (M57 D30 (306D3))		Diesel	4WD	2993	155	211	09.08-08.10	■
3.0 D (M57 D30 (306D3))		Diesel	4WD	2993	160	218	09.05-08.08	■
xDrive 30 d (M57 D30 (306D3))		Diesel	4WD	2993	160	218	09.08-08.10	■
xDrive 35 d (M57 D30 (306D5))	-12/10	Diesel	4WD	2993	210	286	09.08-08.11	■
Z4 (E85) 09.02-12.09					Convertible (Sports car-S Segment)			
3.0 Si (N52 B30 A)		Gasolina	RWD	2996	195	265	01.06-08.08	■
3.0 Si (N52 B30 BF)		Gasolina	RWD	2996	195	265	01.06-08.08	■
Z4 (E86) 03.06-12.09					Coupe (Sports car-S Segment)			
3.0 Si (N52 B30 A)		Gasolina	RWD	2996	195	265	04.06-08.08	■
MG								
MG X-POWER 01.03-04.08					Coupe (Sports car-S Segment)			
4.6 SV (46K4F)		Gasolina	RWD	4601	230	313	01.03-04.08	■
5.0 SV-R (50K5F)		Gasolina	RWD	4996	294	400	01.05-04.08	■

LISTA DE APLICACIONES - BUYERS GUIDE

MG ZT 06.01-10.05					Saloon (Executive car-E Segment)			
190 (25 K4F)	Gasolina	FWD	2497	140	190	06.01-07.05	■	
260 (99W)	Gasolina	RWD	4601	191	260	10.03-07.05	■	
MG ZT-T 10.01-10.05					Estate (Executive car-E Segment)			
190 (25 K4F)	Gasolina	FWD	2497	140	190	10.01-07.05	■	
260 (46F2F)	Gasolina	RWD	4601	191	260	10.03-07.05	■	
260 (99W)	Gasolina	RWD	4601	191	260	10.03-07.05	■	
ROVER								
75 (RJ) 02.99-10.05					Saloon (Executive car-E Segment)			
4.6 V8 (46F2F)	Gasolina	RWD	4601	191	260	10.04-05.05	■	
4.6 V8 (V99WFH)	Gasolina	RWD	4601	191	260	10.04-05.05	■	
75 Tourer (RJ) 08.01-06.06					Estate (Executive car-E Segment)			
4.6 V8 (46F2F)	Gasolina	RWD	4601	191	260	10.03-05.05	■	
4.6 V8 (V99WFH)	Gasolina	RWD	4601	191	260	10.03-05.05	■	