

LISTA DE APLICACIONES - BUYERS GUIDE

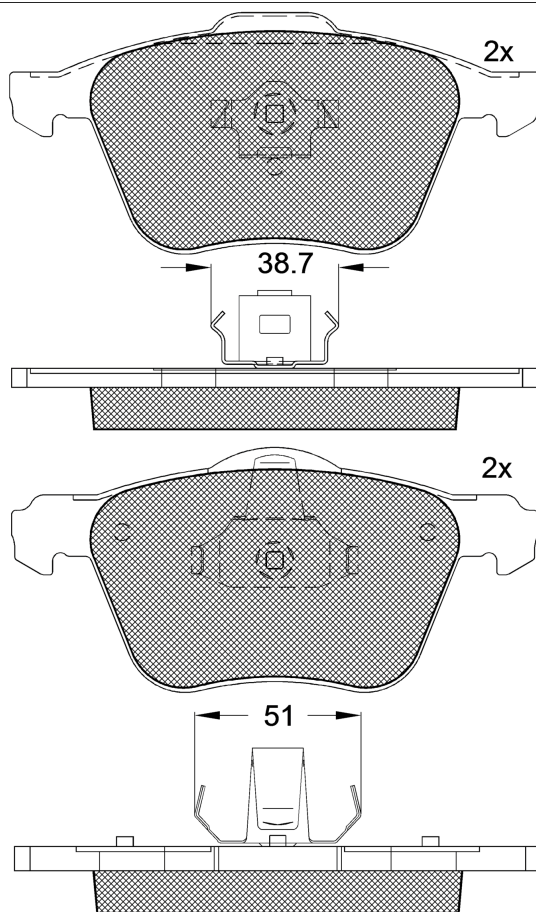
181551



Qty: 300

Weight: 2.165

O.E.M.	MAKE
2 742 85	VOLVO
2 742 856	VOLVO
3 076 912 2	VOLVO
3 079 323 1	VOLVO
3 079 326 5	VOLVO



181551



155.18x72.13x19.6

156.32x71.12x19.6

WVA	FMSI
23590	D979-7882
23591	
MAKE	
VOLVO	



Trac.	CC	Kw	CV
-------	----	----	----



Front / Rear

VOLVO

S60 (384) 07.00-04.10						Saloon (Compact executive car-D Segment)			
2.0 T (B 5204 T5)		Gasolina	FWD	1984	132	180	07.00-04.10	■	
T5 (B 5244 T5)		Gasolina	FWD	2401	191	260	04.04-04.10	■	
2.4 (B 5244 S2)		Gasolina	FWD	2435	103	140	07.00-04.10	■	
2.4 (B 5244 S)		Gasolina	FWD	2435	125	170	11.00-04.10	■	
2.4 (B 5244 T4)		Gasolina	FWD	2435	132	180	01.05-10.06	■	
2.4 T AWD (B 5244 T3)		Gasolina	4WD	2435	147	200	06.01-04.10	■	
2.5 T (B 5254 T2)		Gasolina	FWD	2521	154	210	01.03-04.10	■	
2.5 T AWD (B 5254 T2)		Gasolina	4WD	2521	154	210	07.02-04.10	■	
2.4 Bifuel (LPG) (B 5244 SG2)		Gasol./Gas (LPG)	FWD	2435	103	140	07.01-04.10	■	
2.4 Bifuel (CNG) (B 5244 SG)		Gasol./Gas (CNG)	FWD	2435	103	140	07.01-04.10	■	
2.4 D (D 5244 T7)		Diesel	FWD	2400	93	126	03.05-04.10	■	
2.4 D (D 5244 T5)		Diesel	FWD	2400	120	163	07.05-12.09	■	
2.4 CDI (D 5244 T3)		Diesel	FWD	2401	85	116	10.03-12.05	■	
2.4 D (D 5244 T6)		Diesel	FWD	2401	90	122	05.05-12.06	■	
2.4 D (D 5244 T2)		Diesel	FWD	2401	96	130	05.01-04.10	■	
D5 (D 5244 T)		Diesel	FWD	2401	120	163	01.01-04.10	■	
D5 (D 5244 T4)		Diesel	FWD	2401	136	185	03.05-04.10	■	
S80 (184) 05.98-02.08						Saloon (Executive car-E Segment)			
2.4 D (D 5244 T2)		Diesel	FWD	2401	96	131	10.01-07.06	■	
V70 II (285) 11.99-12.08						Estate (Executive car-E Segment)			
T5 (B 5244 T5)		Gasolina	FWD	2401	191	260	04.04-08.07	■	

LISTA DE APLICACIONES - BUYERS GUIDE

2.5 T (B 5254 T2)		Gasolina	FWD	2521	154	209	07.01-08.07	■	
2.5 T AWD (B 5254 T2)		Gasolina	4WD	2521	154	209	07.02-08.07	■	
2.4 D (D 5244 T7)		Diesel	FWD	2400	93	126	04.05-12.08	■	
2.4 CDI (D 5244 T6)		Diesel	FWD	2401	90	122	07.05-12.08	■	
D5 (D 5244 T)		Diesel	FWD	2401	120	163	01.01-12.08	■	
D5 (D 5244 T2)		Diesel	FWD	2401	120	163	01.01-12.08	■	
D5 (D 5244 T5)		Diesel	FWD	2401	120	163	01.01-12.08	■	
D5 AWD (D 5244 T)		Diesel	4WD	2401	120	163	07.02-08.07	■	
D5 AWD (D 5244 T2)		Diesel	4WD	2401	120	163	07.02-08.07	■	
D5 AWD (D 5244 T5)		Diesel	4WD	2401	120	163	07.02-08.07	■	
XC90 (275) 06.02-01.15					SUV (Luxury Crossover SUV-J Segment)				
2.5 T AWD (B 5254 T9)	Rim 16	Gasolina	4WD	2497	154	209	10.12-09.14	■	
2.5	Rim 16	Gasolina	FWD	2521	153	208	01.03-12.06	■	
2.5 AWD	Rim 16	Gasolina	4WD	2521	153	208	06.02-12.14	■	
2.5 T AWD (B 5254 T2)	Rim 16	Gasolina	4WD	2521	154	209	10.02-09.14	■	
T6 AWD (B 6294 T)	Rim 16	Gasolina	4WD	2922	200	272	10.02-12.06	■	
3.2 (B 6324 S)	Rim 16	Gasolina	FWD	3192	175	238	09.11-09.14	■	
3.2 AWD (B 6324 S)	Rim 16	Gasolina	4WD	3192	175	238	03.06-12.10	■	
3.2 (B 6324 S5)	Rim 16	Gasolina	FWD	3192	179	243	09.11-09.14	■	
3.2 AWD (B 6324 S5)	Rim 16	Gasolina	4WD	3192	179	243	04.10-09.14	■	
V8 AWD (B 8444 S)	Rim 16	Gasolina	4WD	4414	232	316	01.05-12.10	■	
V8 AWD (B 8444 S)	Rim 16	Gasolina	4WD	4414	235	320	09.04-12.05	■	
D3 / D5 (D 5244 T5)	Rim 16	Diesel	FWD	2400	120	163	04.09-12.14	■	
D5 AWD (D 5244 T5)		Diesel	4WD	2400	120	163	10.07-12.10	■	
D5 AWD (D 5244 T18)	Rim 16	Diesel	4WD	2400	147	200	01.11-12.14	■	
D5 AWD (D 5244 T18)		Diesel	4WD	2400	155	211	11.13-09.14	■	
D5 AWD (D 5244 T)	Rim 16	Diesel	4WD	2401	120	163	10.02-12.06	■	
D5 AWD (D 5244 T4)	Rim 16	Diesel	4WD	2401	136	185	04.05-12.12	■	
XC90 VAN (275) 06.02-01.15					SUV Van (Luxury Crossover SUV-J Segment)				
2.4 D5 AWD		Diesel	4WD	2400	147	200	09.13-12.14	■	
2.4 D4		Diesel	FWD	2401	120	163	09.13-12.14	■	