

LISTA DE APLICACIONES - BUYERS GUIDE

181565

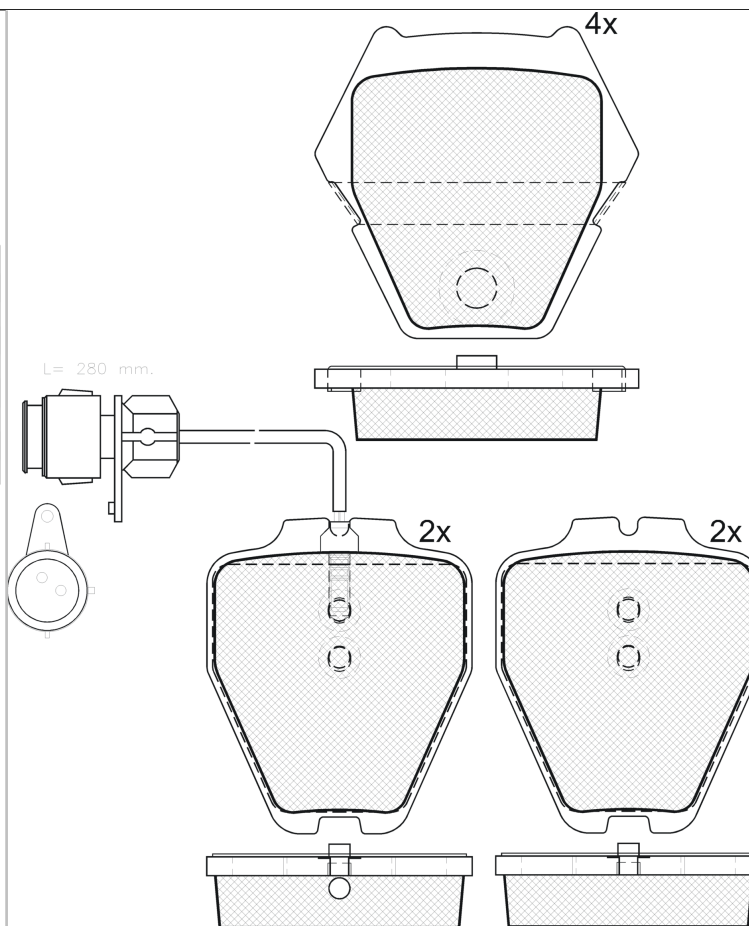


8 424073 086549

Qty: 300

Weight: 2.050

O.E.M.	MAKE
4D0 698 151 AC	AUDI
4D0 698 151 AE	AUDI
4D0 698 151 K	AUDI
4D0 698 151 M	AUDI
4D0 698 151 N	AUDI
4D0 698 151 P	AUDI
4D0 698 151 R	AUDI
4D0 698 151 S	AUDI



181565

E1 90R-01101/443



Lucas - Girling

63.2x75.3x17.5

77.1x74.2x17.5

WVA	FMSI
23118	D839-7725
23119	
23280	
23828	
MAKE	
AUDI	



Trac.	CC	Kw	CV



Front / Rear

AUDI

A6 II C5 Avant (4B5, 4B6) 11.97-01.06							Estate (Executive car-E Segment)			
3.7 (AQG)	-12/00	Gasolina	FWD	3697	191	260	03.99-01.05			■
3.7 quattro (AQG)	-12/00	Gasolina	4WD	3697	191	260	03.99-01.05			■
A6 II C5 (4B2, 4B4) 01.97-12.05							Saloon (Executive car-E Segment)			
3.7 (AQG)	-12/00	Gasolina	FWD	3697	191	260	03.99-01.05			■
3.7 quattro (AQG)	-12/00	Gasolina	4WD	3697	191	260	03.99-01.05			■
A8 (U.S.A. D2) 09.96-12.02							Saloon (Luxury car-F Segment)			
4.2 40V Quattro SP	01/00-	Gasolina	FWD	4195			09.96-			■
A8 D2 (4D2, 4D8) 03.94-12.05							Saloon (Luxury car-F Segment)			
2.8 (ACK)	01/98-, PR 1LX	Gasolina	FWD	2771	142	193	04.96-09.02			■
2.8 (ALG)	01/98-, PR 1LX	Gasolina	FWD	2771	142	193	04.96-09.02			■
2.8 (AMX)	01/98-, PR 1LX	Gasolina	FWD	2771	142	193	04.96-09.02			■
2.8 (APR)	01/98-, PR 1LX	Gasolina	FWD	2771	142	193	04.96-09.02			■
2.8 (AQD)	01/98-, PR 1LX	Gasolina	FWD	2771	142	193	04.96-09.02			■
2.8 quattro (ACK)	01/98-, PR 1LX, ch-4DX005501, not armoured vehicl.	Gasolina	4WD	2771	142	193	04.96-09.02			■
2.8 quattro (ALG)	01/98-, PR 1LX, ch-4DX005501, not armoured vehicl.	Gasolina	4WD	2771	142	193	04.96-09.02			■
2.8 quattro (AMX)	01/98-, PR 1LX, ch-4DX005501, not armoured vehicl.	Gasolina	4WD	2771	142	193	04.96-09.02			■
2.8 quattro (APR)	01/98-, PR 1LX, ch-4DX005501, not armoured vehicl.	Gasolina	4WD	2771	142	193	04.96-09.02			■

LISTA DE APLICACIONES - BUYERS GUIDE

2.8 quattro (AQD)	01/98-, PR 1LX, ch-4DX005501, not armoured vehicl.	Gasolina	4WD	2771	142	193	04.96-09.02	■
3.7 (AKC)	PR 1LX, not armoured vehicl.	Gasolina	FWD	3697	191	260	11.98-09.02	■
3.7 (AQG)	PR 1LX, not armoured vehicl.	Gasolina	FWD	3697	191	260	11.98-09.02	■
3.7 quattro (AKC)	PR 1LX, ch- 4DX005501, not armoured vehicl.	Gasolina	4WD	3697	191	260	11.98-09.02	■
3.7 quattro (AQG)	PR 1LX, ch- 4DX005501, not armoured vehicl.	Gasolina	4WD	3697	191	260	11.98-09.02	■
4.2 quattro (ARU)	PR 1LX, not armoured vehicl.	Gasolina	4WD	4172	175	238	02.99-04.00	■
4.2 quattro (AKB)	PR 1LX, not armoured vehicl.	Gasolina	4WD	4172	228	310	11.98-09.02	■
4.2 quattro (AQF)	PR 1LX, not armoured vehicl.	Gasolina	4WD	4172	228	310	11.98-09.02	■
4.2 quattro (AUW)	PR 1LX, not armoured vehicl.	Gasolina	4WD	4172	228	310	11.98-09.02	■
4.2 quattro (AUX)	PR 1LX, not armoured vehicl.	Gasolina	4WD	4172	228	310	11.98-09.02	■
S8 quattro (AQH)	not armoured vehicl.	Gasolina	4WD	4172	265	360	06.99-09.02	■
S8 quattro (AVP)	not armoured vehicl.	Gasolina	4WD	4172	265	360	06.99-09.02	■
S8 quattro (AYS)	not armoured vehicl.	Gasolina	4WD	4172	265	360	06.99-09.02	■
S8 quattro (BCS)	not armoured vehicl.	Gasolina	4WD	4172	265	360	06.99-09.02	■
6.0 W12 quattro (AZC)		Gasolina	4WD	5998	309	420	01.01-09.02	■
2.5 TDI (AFB)	01/98-, PR 1LX	Diesel	FWD	2496	110	150	01.97-04.00	■
2.5 TDI (AKN)	01/98-, PR 1LX	Diesel	FWD	2496	110	150	01.97-04.00	■
2.5 TDI quattro (AFB)	PR 1LX, ch- 4DX005501	Diesel	4WD	2496	110	150	07.97-04.00	■
2.5 TDI quattro (AKN)	PR 1LX, ch- 4DX005501	Diesel	4WD	2496	110	150	07.97-04.00	■
2.5 TDI (AKE)	PR 1LX	Diesel	FWD	2496	132	180	09.00-09.02	■
3.3 TDI quattro (AKF)	PR 1LJ, not armoured vehicl.	Diesel	4WD	3328	165	224	06.00-09.02	■