

# LISTA DE APLICACIONES - BUYERS GUIDE

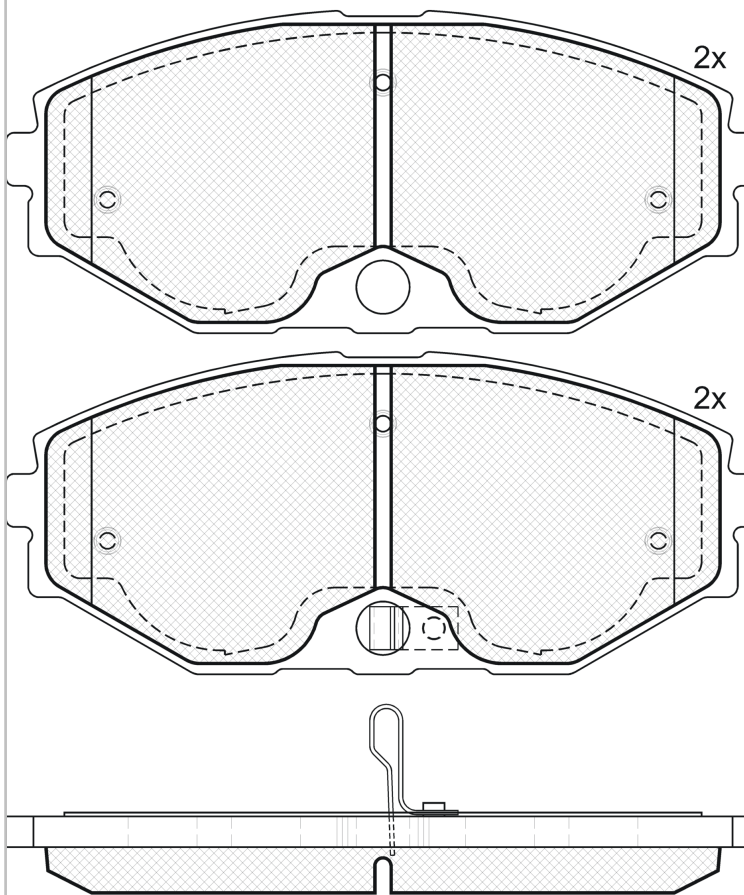
## 181568



Qty: 300

Weight: 1.680

O.E.M.	MAKE
41060-0P691	INFINITI
41060-0P693	INFINITI
41060-3Y690	INFINITI
41060-4P190	INFINITI
41060-5P690	INFINITI
41060-60U90	INFINITI
41060-64U90	INFINITI
41060-64U91	INFINITI
41060-64U92	INFINITI
41060-66U91	INFINITI
AY040-NS036	NISSAN
AY040-NS063	NISSAN
AY040-NS076	NISSAN
D1060-3Y690	INFINITI
D1060-5P690	INFINITI
D1060-66U91	INFINITI



## 181568

**E 9** 90R-01111/1094



Akebono

139.1x59.5x14.8

WVA	FMSI
23184	D486-7366
23185	
23672	
25061	

MAKE
INFINITI
NISSAN



Trac.	CC	Kw	CV
-------	----	----	----



Front / Rear

### INFINITI

Model							Segment		
<b>J30 01.92-12.97</b>							<b>Saloon (Luxury car-F Segment)</b>		
3.0 (VG30DE)		Gasolina	RWD	2960	157	213	01.92-12.97	■	
<b>Q45 01.89-12.96</b>							<b>Saloon (Luxury car-F Segment)</b>		
4.1 (VH41DE)		Gasolina	RWD	4130	205	278	01.93-12.96	■	
4.5 (VH45DE)		Gasolina	RWD	4494	205	278	01.89-12.93	■	
4.5 i		Gasolina	FWD	4494	207	282	07.93-12.96	■	

### NISSAN

Model							Segment		
<b>CEDRIC IX (Y33) 11.95-04.99</b>							<b>Saloon (Luxury car-F Segment)</b>		
3.0 (VG30E)		Gasolina	RWD	2988	118	160	11.95-10.97	■	
3.0 (VQ30DE)		Gasolina	RWD	2988	118	160	11.95-10.97	■	
<b>CEDRIC X (Y34) 05.99-12.04</b>							<b>Saloon (Luxury car-F Segment)</b>		
2.5 (MY34) (VQ25DD)		Gasolina	RWD	2495	147	200	05.00-08.04	■	
<b>CEFIRO III-IV / MAXIMA (A33) 01.99-12.07</b>							<b>Saloon (Sports car-S Segment)</b>		
2.0 (VQ20DE)		Gasolina	FWD	1995	103	140	01.00-09.03	■	
2.5		Gasolina	FWD	2496	154	209	01.00-09.03	■	
3.0 (VQ30DE)		Gasolina	FWD	2988	147	200	01.00-09.03	■	
3.5		Gasolina	FWD	3498	221	300	01.00-09.03	■	
<b>MAXIMA V QX (A33) 04.99-07.04</b>							<b>Saloon (Sports car-S Segment)</b>		
2.0 V6 24V (VQ20DE)		Gasolina	FWD	1995	103	140	03.00-11.03	■	
2.5 V6 24V (VQ25DE)		Gasolina	FWD	2496	154	209	03.00-11.03	■	
3.0 V6 24V (VQ30DE)		Gasolina	FWD	2988	147	200	03.00-11.03	■	
3.0 V6 24V		Gasolina	FWD	2988	157	214	12.99-11.03	■	

## LISTA DE APLICACIONES - BUYERS GUIDE

3.5 (VQ35DE)	Gasolina	FWD	3498	188	256	08.01-02.03	■
<b>PRAIRIE LIBERTY (_M12) 11.98-12.04</b>				<b>MPV (Compact MPV-M1 Segment)</b>			
2.0 (PM12) (SR20DE)	Gasolina	FWD	1998	103	140	11.98-05.01	■
<b>STAGEA (WC34) 09.96-10.01</b>				<b>Estate (Executive car-E Segment)</b>			
2.5 Turbo AWD (WGNC34) (RB25DET)	Gasolina	4WD	2498	173	235	09.96-10.01	■