

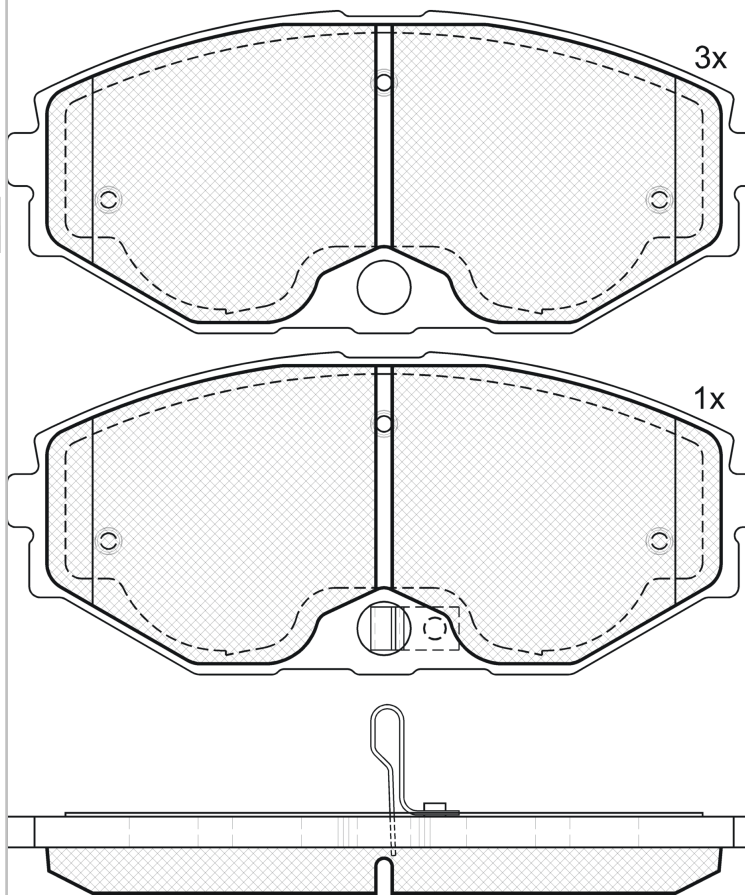
LISTA DE APLICACIONES - BUYERS GUIDE

181569



Qty: 300

Weight: 1.677



181569

E 9 **90R-01111/1095**



Akebono

139.1x59.5x14.8

O.E.M.	MAKE
41060-0P690	INFINITI

WVA	FMSI
23184	D587-7467
23185	
23672	
MAKE	
INFINITI	
NISSAN	



Trac.	CC	Kw	CV		
					Front / Rear

INFINITI

J30 01.92-12.97							Saloon (Luxury car-F Segment)		
3.0 (VG30DE)		Gasolina	RWD	2960	157	213	01.92-12.97	■	
Q45 01.89-12.96							Saloon (Luxury car-F Segment)		
4.1 (VH41DE)		Gasolina	RWD	4130	205	278	01.93-12.96	■	
4.5 (VH45DE)		Gasolina	RWD	4494	205	278	01.89-12.93	■	
4.5 i		Gasolina	FWD	4494	207	282	07.93-12.96	■	

NISSAN

CEFIRO III-IV / MAXIMA (A33) 01.99-12.07							Saloon (Sports car-S Segment)		
2.0 (VQ20DE)		Gasolina	FWD	1995	103	140	01.00-09.03	■	
2.5		Gasolina	FWD	2496	154	209	01.00-09.03	■	
3.0 (VQ30DE)		Gasolina	FWD	2988	147	200	01.00-09.03	■	
3.5		Gasolina	FWD	3498	221	300	01.00-09.03	■	
MAXIMA V QX (A33) 04.99-07.04							Saloon (Sports car-S Segment)		
2.0 V6 24V (VQ20DE)		Gasolina	FWD	1995	103	140	03.00-11.03	■	
2.5 V6 24V (VQ25DE)		Gasolina	FWD	2496	154	209	03.00-11.03	■	
3.0 V6 24V (VQ30DE)		Gasolina	FWD	2988	147	200	03.00-11.03	■	
3.0 V6 24V		Gasolina	FWD	2988	157	214	12.99-11.03	■	
3.5 (VQ35DE)		Gasolina	FWD	3498	188	256	08.01-02.03	■	