

# LISTA DE APLICACIONES - BUYERS GUIDE

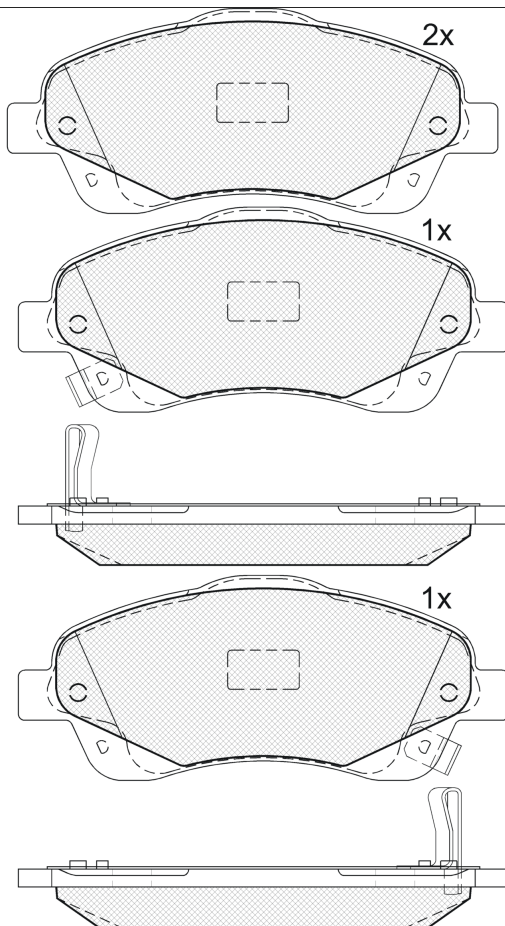
## 181573



Qty: 300

Weight: 1.925

O.E.M.	MAKE
04465-05130	TOYOTA
04465-05131	TOYOTA
04465-05140	TOYOTA
04465-05150	TOYOTA
04465-05170	TOYOTA
04465-05190	TOYOTA
04465-05210	TOYOTA
04465-05220	TOYOTA
04465-05221	TOYOTA
04465-05270	TOYOTA
04465-05280	TOYOTA
04465-YZZEB	TOYOTA
86 60 000 743	RENAULT
86 60 004 519	RENAULT



## 181573



Bosch

150.8x63x18.8

WVA	FMSI
23479	D2217-9457
23480	
23481	
23768	

**MAKE**  
TOYOTA



Trac.	CC	Kw	CV			Front / Rear
-------	----	----	----	--	--	--------------

### TOYOTA

AVENSIS II (_T25_) 04.03-11.08	Estate (Large family car-D Segment)						
1.6 VVT-i (ZZT250_, ZZT250R) (3ZZ-FE)	Gasolina	FWD	1598	81	110	04.03-11.08	■
1.8 VVT-i (ZZT251_, ZZT251R) (1ZZ-FE)	Gasolina	FWD	1794	95	129	04.03-11.08	■
2.0 VVT-i (AZT250_, AZT250R) (1AZ-FSE)	Gasolina	FWD	1998	108	147	04.03-11.08	■
2.0 VVT-i (AZT250_, AZT250R) (1AZ-FE)	Gasolina	FWD	1998	114	155	04.03-11.08	■
2.4 VVT-i (AZT251_, AZT251R) (2AZ-FSE)	Gasolina	FWD	2362	120	163	10.03-10.08	■
2.4 VVT-i (AZT251_, AZT251R) (2AZ-FSE)	Gasolina	FWD	2362	125	170	09.03-11.08	■
2.0 D-4D (CDT250_, CDT250R) (1CD-FTV)	Diesel	FWD	1995	85	116	04.03-11.08	■
2.0 D-4D (ADT250_, ADT250R) (1AD-FTV)	Diesel	FWD	1998	93	126	03.06-11.08	■
2.2 TD	Diesel	RWD	2184	74	101	04.05-11.08	■
2.2 D-4D (ADT251_, ADT251R) (2AD-FTV)	Diesel	FWD	2231	110	150	10.05-11.08	■
2.2 D-CAT (ADT251_, ADT251R) (2AD-FHV)	Diesel	FWD	2231	130	177	07.05-11.08	■

AVENSIS II (_T25_) 03.03-11.08	Hatchback (Large family car-D Segment)						
1.6 VVT-i (ZZT250_, ZZT250R) (3ZZ-FE)	Gasolina	FWD	1598	81	110	04.03-11.08	■
1.8 VVT-i (ZZT251_, ZZT251R) (1ZZ-FE)	Gasolina	FWD	1794	95	129	03.03-10.08	■
2.0 VVT-i (AZT250_, AZT250R) (1AZ-FSE)	Gasolina	FWD	1998	108	147	03.03-11.08	■
2.0 VVTi (AZT250_)	Gasolina	FWD	1998	114	155	03.03-10.08	■
2.4 VVT-i (AZT251_, AZT251R) (2AZ-FSE)	Gasolina	FWD	2362	120	163	10.03-10.08	■
2.4 VVT-i (AZT251_, AZT251R) (2AZ-FSE)	Gasolina	FWD	2362	125	170	09.03-11.08	■
2.0 D-4D (CDT250_, CDT250R) (1CD-FTV)	Diesel	FWD	1995	85	116	04.03-11.08	■
2.0 D-4D (ADT250_, ADT250R) (1AD-FTV)	Diesel	FWD	1998	93	126	03.06-11.08	■
2.2 TD	Diesel	RWD	2184	74	101	04.05-11.08	■
2.2 D-4D (ADT251_, ADT251R) (2AD-FTV)	Diesel	FWD	2231	110	150	10.05-11.08	■

# LISTA DE APLICACIONES - BUYERS GUIDE

2.2 D-CAT (ADT251_, ADT251R) (2AD-FHV)		Diesel	FWD	2231	130	177	07.05-11.08	■
<b>AVENSIS II (_T25_) 01.03-04.09</b>				<b>Saloon (Large family car-D Segment)</b>				
1.6 VVT-i (ZZT250_, ZZT250R) (3ZZ-FE)		Gasolina	FWD	1598	81	110	04.03-11.08	■
1.8 VVT-i (ZZT251_, ZZT251R) (1ZZ-FE)		Gasolina	FWD	1794	95	129	04.03-11.08	■
2.0 VVT-i (AZT250_, AZT250R) (1AZ-FSE)		Gasolina	FWD	1998	108	147	04.03-11.08	■
2.0 VVTi (AZT250_) (1AZ-FE)		Gasolina	FWD	1998	114	155	01.03-11.08	■
2.4 VVT-i (AZT251_, AZT251R) (2AZ-FSE)		Gasolina	FWD	2362	120	163	10.03-10.08	■
2.4 VVT-i (AZT251_, AZT251R) (2AZ-FSE)		Gasolina	FWD	2362	125	170	09.03-11.08	■
2.0 D-4D (CDT250_, CDT250R) (1CD-FTV)		Diesel	FWD	1995	85	116	04.03-11.08	■
2.0 D-4D (ADT250_, ADT250R) (1AD-FTV)		Diesel	FWD	1998	93	126	03.06-10.08	■
2.2 TD		Diesel	RWD	2184	74	101	04.05-11.08	■
2.2 D-4D (ADT251_, ADT251R) (2AD-FTV)		Diesel	FWD	2231	110	150	10.05-11.08	■
2.2 D-CAT (ADT251_, ADT251R) (2AD-FHV)		Diesel	FWD	2231	130	177	07.05-11.08	■
<b>COROLLA IX (_E12_) 07.01-05.07</b>				<b>MPV (Compact MPV-M1 Segment)</b>				
1.8	01/04-	Gasolina	FWD	1838	92	125	09.01-05.04	■
1.4 D-4D	01/04-	Diesel	RWD	1364	66	90	09.01-05.04	■
2.0 D-4D (CDE120_)	01/04-	Diesel	FWD	1995	85	116	09.01-07.04	■
<b>COROLLA IX / ALTIS / AXIO-ALTIS (_E12_) 08.00-12.08</b>				<b>Saloon (Compact executive car-D Segment)</b>				
1.5		Gasolina	FWD	1497	81	110	06.07-07.07	■
1.6	01/07-	Gasolina	FWD	1598	91	124	11.06-07.07	■
1.8		Gasolina	FWD	1794	94	128	06.07-07.07	■
<b>COROLLA IX-X (ZER_, ZZE12_, R1_) 03.04-10.09</b>				<b>MPV (Compact MPV-M1 Segment)</b>				
1.3 VVTi (8A-FE)		Gasolina	FWD	1342	64	87	03.04-03.09	■
1.5		Gasolina	FWD	1497	80	109	03.04-03.09	■
1.6 (ZNR10_, ZNR10R) (3ZZ-FE)		Gasolina	FWD	1598	81	110	04.04-03.09	■
1.8 (ZNR11_, ZNR11R) (1ZZ-FE)		Gasolina	FWD	1794	95	129	04.04-03.09	■
1.8		Gasolina	FWD	1838	92	125	03.04-03.09	■
1.4 D4d		Diesel	RWD	1364	66	90	03.04-03.09	■
2.0 D-4D (CUR10_, CUR10R) (1CD-FTV)		Diesel	FWD	1995	85	116	04.04-03.09	■
2.2 D-4D (AUR10_, AUR10R) (2AD-FTV)		Diesel	FWD	2231	100	136	10.05-03.09	■
2.2 D-4D (AUR10_, AUR10R) (2AD-FHV)		Diesel	FWD	2231	130	177	10.05-03.09	■
<b>COROLLA X / ALTIS (_E15_) 10.06-</b>				<b>Saloon (Compact executive car-D Segment)</b>				
1.5		Gasolina	FWD	1497	77	105	08.07-	■
1.5		Gasolina	FWD	1497	81	110	08.07-	■
1.8		Gasolina	FWD	1798	98	133	08.07-	■
1.8 (ZRE142) (2ZR-FAE)		Gasolina	FWD	1798	99	135	08.08-04.12	■
1.8 (ZRE142) (2ZR-FE)		Gasolina	FWD	1798	99	135	08.08-04.12	■