

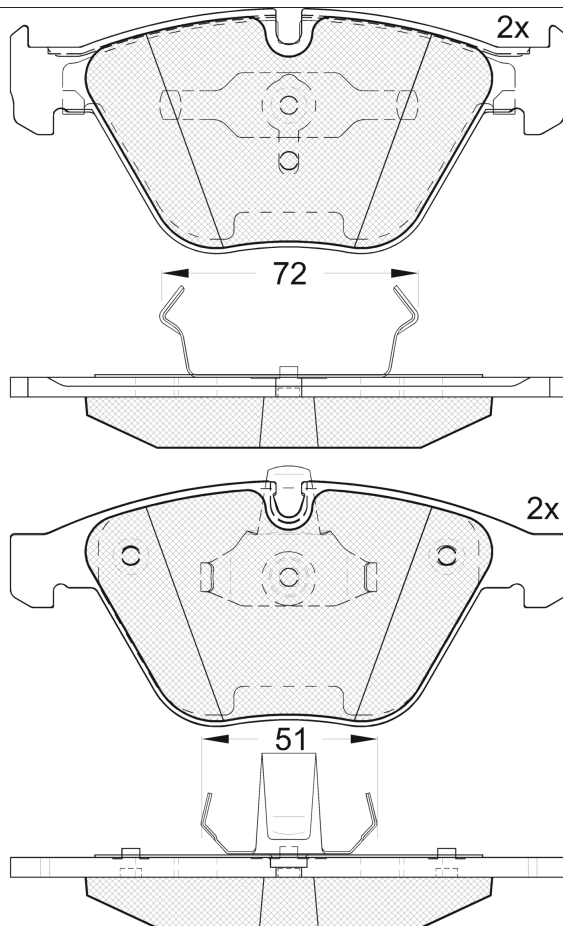
# LISTA DE APLICACIONES - BUYERS GUIDE

## 181577



Qty: 300

Weight: 2.050



## 181577

E 9 90R-01111/919



Ate - Teves

155.2x68.3x20.3

| O.E.M.          | MAKE |
|-----------------|------|
| 34 11 1 763 089 | BMW  |
| 34 11 2 283 865 | BMW  |
| 34 11 2 339 269 | BMW  |
| 34 11 6 753 668 | BMW  |
| 34 11 6 761 283 | BMW  |
| 34 11 6 761 284 | BMW  |
| 34 11 6 763 089 | BMW  |
| 34 11 6 763 591 | BMW  |
| 34 11 6 764 437 | BMW  |
| 34 11 6 764 438 | BMW  |
| 34 11 6 764 540 | BMW  |
| 34 11 6 767 191 | BMW  |
| 34 11 6 767 580 | BMW  |
| 34 11 6 781 873 | BMW  |
| 34 11 6 794 913 | BMW  |
| 34 11 6 794 915 | BMW  |
| 34 11 6 794 916 | BMW  |
| 34 11 6 794 918 | BMW  |

| WVA   | FMSI      |
|-------|-----------|
| 23311 | D918-7799 |
| 23312 |           |
| 23347 |           |
| 23704 |           |
| 23733 |           |

**MAKE**

|                  |
|------------------|
| BMW              |
| BMW (BRILLIANCE) |



| Trac. | CC | Kw | CV |
|-------|----|----|----|
|-------|----|----|----|



Front / Rear

### BMW

|                                    |                      |          |     |      |  | <b>Coupe (Compact car-C Segment)</b>                 |     |             |   |  |  |
|------------------------------------|----------------------|----------|-----|------|--|--|-----|-------------|---|--|--|
| <b>1 Serie (E82) 10.06-10.13</b>   |                      |          |     |      |  |  |     |             |   |  |  |
| M (N54 B30 A)                      |                      | Gasolina | RWD | 2979 |  | 250  | 340 | 03.11-06.12 | ■ |  |  |
| <b>3 Serie V (E93) 05.06-12.13</b> |                      |          |     |      |  | <b>Convertible (Compact executive car-D Segment)</b> |     |             |   |  |  |
| M3 (S65 B40 A)                     | -12/12               | Gasolina | RWD | 3999 |  | 309  | 420 | 03.08-10.13 | ■ |  |  |
| <b>3 Serie V (E92) 01.05-12.13</b> |                      |          |     |      |  | <b>Coupe (Compact executive car-D Segment)</b>       |     |             |   |  |  |
| M3 (S65 B40 A)                     | -12/12               | Gasolina | RWD | 3999 |  | 309  | 420 | 06.07-06.13 | ■ |  |  |
| M3 GTS (S65 B44 A)                 |                      | Gasolina | RWD | 4361 |  | 331  | 450 | 03.07-06.13 | ■ |  |  |
| <b>3 Serie V (E90) 02.04-12.13</b> |                      |          |     |      |  | <b>Saloon (Compact executive car-D Segment)</b>      |     |             |   |  |  |
| M3 (S65 B40 A)                     |                      | Gasolina | RWD | 3999 |  | 309  | 420 | 12.07-10.11 | ■ |  |  |
| M3 CRT (S65 B44 A)                 |                      | Gasolina | RWD | 4361 |  | 331  | 450 | 03.11-12.11 | ■ |  |  |
| <b>5 Serie V (E60) 12.01-03.10</b> |                      |          |     |      |  | <b>Saloon (Executive car-E Segment)</b>              |     |             |   |  |  |
| 520 i (N46 B20 B)                  | government vehicles  | Gasolina | RWD | 1995 |  | 115  | 156 | 09.07-02.10 | ■ |  |  |
| 520 i (N43 B20 A)                  | government vehicles  | Gasolina | RWD | 1995 |  | 120  | 163 | 12.06-03.10 | ■ |  |  |
| 520 i (N43 B20 A)                  | government vehicles  | Gasolina | RWD | 1995 |  | 125  | 170 | 09.07-12.09 | ■ |  |  |
| 520 i (M54 B22 (226S1))            | Automatic Transmiss. | Gasolina | RWD | 2171 |  | 125  | 170 | 07.03-03.10 | ■ |  |  |
| 525 i                              |                      | Gasolina | RWD | 2494 |  | 137  | 186 | 07.03-12.09 | ■ |  |  |
| 525 i (M54 B25 (256S5))            | government vehicles  | Gasolina | RWD | 2494 |  | 141  | 192 | 09.03-02.05 | ■ |  |  |
| 523 i (N52 B25 A)                  | government vehicles  | Gasolina | RWD | 2497 |  | 130  | 177 | 10.04-02.07 | ■ |  |  |
| 523 i (N52 B25 B)                  | government vehicles  | Gasolina | RWD | 2497 |  | 130  | 177 | 10.04-02.07 | ■ |  |  |
| 523 i (N52 B25 BE)                 | government vehicles  | Gasolina | RWD | 2497 |  | 130  | 177 | 10.04-02.07 | ■ |  |  |
| 523 i (N52 B25 A)                  |                      | Gasolina | RWD | 2497 |  | 140  | 190 | 03.07-12.09 | ■ |  |  |
| 523 i (N52 B25 BE)                 |                      | Gasolina | RWD | 2497 |  | 140  | 190 | 03.07-12.09 | ■ |  |  |

# LISTA DE APLICACIONES - BUYERS GUIDE

|                                |   |          |     |      |     |     |             |   |
|--------------------------------|---|----------|-----|------|-----|-----|-------------|---|
| 523 i (N53 B25 A)              |   | Gasolina | RWD | 2497 | 140 | 190 | 03.07-12.09 | ■ |
| 525 i (N52 B25 A)              |   | Gasolina | RWD | 2497 | 155 | 211 | 07.05-03.10 | ■ |
| 525 i (N52 B25 A)              | government vehicles   | Gasolina | RWD | 2497 | 160 | 218 | 03.05-12.09 | ■ |
| 525 i (N52 B25 B)              | government vehicles   | Gasolina | RWD | 2497 | 160 | 218 | 03.05-12.09 | ■ |
| 525 i (N52 B25 BF)             | government vehicles   | Gasolina | RWD | 2497 | 160 | 218 | 03.05-12.09 | ■ |
| 525 xi (N52 B25 A)             |   | Gasolina | 4WD | 2497 | 160 | 218 | 04.05-02.07 | ■ |
| 530i (M54 B30 (306S3))         |   | Gasolina | RWD | 2979 | 170 | 231 | 12.01-02.05 | ■ |
| 535i (N54 B30 A)               | discØ 348   | Gasolina | RWD | 2979 | 225 | 306 | 04.06-12.09 | ■ |
| 525 i (N53 B30 A)              | increased payload, government vehicles  | Gasolina | RWD | 2996 | 155 | 211 | 01.07-03.10 | ■ |
| 525 i (N53 B30 A)              | government vehicles, increased payload  | Gasolina | RWD | 2996 | 160 | 218 | 01.07-03.10 | ■ |
| 525 i (N52 B30 A)              |   | Gasolina | RWD | 2996 | 160 | 218 | 03.05-03.07 | ■ |
| 525 i xDrive (N53 B30 A)       |   | Gasolina | 4WD | 2996 | 160 | 218 | 09.08-03.10 | ■ |
| 525 xi (N53 B30 A)             |   | Gasolina | 4WD | 2996 | 160 | 218 | 03.07-12.09 | ■ |
| 530i                           |   | Gasolina | FWD | 2996 | 168 | 228 | 09.07-12.08 | ■ |
| 528i (N52 B30 A)               | discØ 324, -09/07   | Gasolina | RWD | 2996 | 172 | 234 | 03.07-12.09 | ■ |
| 530i (N52 B30 A)               | discØ 324, Syst. Standard   discØ 348, driving school car, for ambulances, for police vehicles, for taxis | Gasolina | RWD | 2996 | 187 | 254 | 03.05-03.10 | ■ |
| 530i (N52 B30 A)               | government vehicles, increased payload   not government vehic, not increas.payload                        | Gasolina | RWD | 2996 | 190 | 258 | 03.05-03.07 | ■ |
| 530i (N52 B30 BF)              | government vehicles, increased payload   not government vehic, not increas.payload                        | Gasolina | RWD | 2996 | 190 | 258 | 03.05-03.07 | ■ |
| 530 xi (N52 B30 A)             |   | Gasolina | 4WD | 2996 | 190 | 258 | 09.04-02.07 | ■ |
| 530i (N53 B30 A)               |   | Gasolina | RWD | 2996 | 200 | 272 | 03.07-12.09 | ■ |
| 530i (N52 B30 A)               |   | Gasolina | RWD | 2996 | 200 | 272 | 03.07-12.09 | ■ |
| 530i (N52 B30 BF)              |   | Gasolina | RWD | 2996 | 200 | 272 | 03.07-12.09 | ■ |
| 530 i xDrive (N53 B30 A)       |   | Gasolina | 4WD | 2996 | 200 | 272 | 09.08-12.09 | ■ |
| 530 xi (N53 B30 A)             |   | Gasolina | 4WD | 2996 | 200 | 272 | 02.07-08.08 | ■ |
| 530 xi (N52 B30 A)             |   | Gasolina | 4WD | 2996 | 200 | 272 | 03.07-10.09 | ■ |
| 530i                           |   | Gasolina | FWD | 2996 | 224 | 300 | 09.08-12.09 | ■ |
| 540 i (N62 B40 A)              | discØ 348   | Gasolina | RWD | 4000 | 220 | 299 | 09.05-02.07 | ■ |
| 540 i (N62 B40 A)              | not increas.payload   | Gasolina | RWD | 4000 | 225 | 306 | 03.07-12.09 | ■ |
| 545 i (N62 B44 A)              |   | Gasolina | RWD | 4398 | 245 | 333 | 07.03-08.05 | ■ |
| 550i (N62 B48 B)               | armoured vehicles, increased payload  | Gasolina | RWD | 4799 | 270 | 367 | 09.05-12.09 | ■ |
| 520 d (M47 D20 (204D4))        | government vehicles   | Diesel   | RWD | 1995 | 110 | 150 | 09.05-02.07 | ■ |
| 520 d (M47 D20 (204D4))        | government vehicles   | Diesel   | RWD | 1995 | 120 | 163 | 09.05-12.09 | ■ |
| 520 d (N47 D20 C)              | government vehicles   | Diesel   | RWD | 1995 | 120 | 163 | 09.05-12.09 | ■ |
| 520 d (N47 D20 A)              |   | Diesel   | RWD | 1995 | 130 | 177 | 09.07-12.09 | ■ |
| 520 d (N47 D20 C)              |   | Diesel   | RWD | 1995 | 130 | 177 | 09.07-12.09 | ■ |
| 525 d (M57 D25 (256D2))        | government vehicles   | Diesel   | RWD | 2497 | 120 | 163 | 12.04-03.10 | ■ |
| 525 d (M57 D25 (256D2))        | government vehicles   | Diesel   | RWD | 2497 | 130 | 177 | 06.04-03.10 | ■ |
| 525 d (M57 D30 (306D3))        | SA S100A/102A, reinforced brakes  | Diesel   | RWD | 2993 | 145 | 197 | 01.07-03.10 | ■ |
| 525 d xDrive (M57 D30 (306D3)) |   | Diesel   | 4WD | 2993 | 145 | 197 | 09.08-12.09 | ■ |
| 525 xd (M57 D30 (306D3))       |   | Diesel   | 4WD | 2993 | 145 | 197 | 09.07-08.08 | ■ |
| 530 d (M57 D30 (306D2))        | government vehicles   not government vehic  | Diesel   | RWD | 2993 | 155 | 211 | 09.02-12.09 | ■ |
| 530 d (M57 D30 (306D3))        | government vehicles   not government vehic  | Diesel   | RWD | 2993 | 155 | 211 | 09.02-12.09 | ■ |
| 530 d (M57 D30 (306D2))        |   | Diesel   | RWD | 2993 | 160 | 218 | 09.02-09.05 | ■ |
| 530 d (M57 D30 (306D3))        |   | Diesel   | RWD | 2993 | 170 | 231 | 09.05-03.07 | ■ |

# LISTA DE APLICACIONES - BUYERS GUIDE

|  |  |          |     |      |   |     |             |   |  |
|--|--|----------|-----|------|---|-----|-------------|---|--|
| 530 xd (M57 D30 (306D3))                   |  | Diesel   | 4WD | 2993 | 170                                     | 231 | 02.05-02.07 | ■ |  |
| 530 d (M57 D30 (306D3))                    | government vehicles, increased payload   not government vehic, not increas.payload | Diesel   | RWD | 2993 | 173                                     | 235 | 02.07-12.09 | ■ |  |
| 530 d xDrive (M57 D30 (306D3))             |  | Diesel   | 4WD | 2993 | 173                                     | 235 | 09.07-12.09 | ■ |  |
| 530 xd (M57 D30 (306D3))                   |  | Diesel   | 4WD | 2993 | 173                                     | 235 | 03.07-08.07 | ■ |  |
| <b>5 Serie V Touring (E61) 03.04-12.10</b> |  |          |     |      | <b>Estate (Executive car-E Segment)</b> |     |             |   |  |
| 520 i (N43 B20 A)                          | government vehicles  | Gasolina | RWD | 1995 | 120                                     | 163 | 07.07-08.10 | ■ |  |
| 520 i (N43 B20 A)                          | government vehicles  | Gasolina | RWD | 1995 | 125                                     | 170 | 09.07-12.10 | ■ |  |
| 525 i (M54 B25 (256S5))                    | government vehicles  | Gasolina | RWD | 2494 | 141                                     | 192 | 06.04-12.10 | ■ |  |
| 523 i (N52 B25 A)                          | government vehicles  | Gasolina | RWD | 2497 | 130                                     | 177 | 10.04-02.07 | ■ |  |
| 523 i (N52 B25 B)                          | government vehicles  | Gasolina | RWD | 2497 | 130                                     | 177 | 10.04-02.07 | ■ |  |
| 523 i (N52 B25 BE)                         | government vehicles  | Gasolina | RWD | 2497 | 130                                     | 177 | 10.04-02.07 | ■ |  |
| 523 i (N52 B25 A)                          |  | Gasolina | RWD | 2497 | 140                                     | 190 | 03.07-01.10 | ■ |  |
| 523 i (N53 B25 A)                          |  | Gasolina | RWD | 2497 | 140                                     | 190 | 01.07-12.10 | ■ |  |
| 525 i (N52 B25 A)                          |  | Gasolina | RWD | 2497 | 155                                     | 211 | 03.05-05.10 | ■ |  |
| 525 i (N52 B25 A)                          | government vehicles  | Gasolina | RWD | 2497 | 160                                     | 218 | 03.05-05.10 | ■ |  |
| 525 i (N52 B25 B)                          | government vehicles  | Gasolina | RWD | 2497 | 160                                     | 218 | 03.05-05.10 | ■ |  |
| 525 i (N52 B25 BF)                         | government vehicles  | Gasolina | RWD | 2497 | 160                                     | 218 | 03.05-05.10 | ■ |  |
| 525 xi (N52 B25 A)                         |  | Gasolina | 4WD | 2497 | 160                                     | 218 | 07.05-12.10 | ■ |  |
| 530i                                       | -12/10   | Gasolina | FWD | 2979 | 170                                     | 231 | 06.04-      | ■ |  |
| 525 i (N53 B30 A)                          |  | Gasolina | RWD | 2996 | 155                                     | 211 | 01.07-12.10 | ■ |  |
| 525 i (N53 B30 A)                          | government vehicles, increased payload   | Gasolina | RWD | 2996 | 160                                     | 218 | 01.07-12.10 | ■ |  |
| 525 i xDrive (N53 B30 A)                   |  | Gasolina | 4WD | 2996 | 160                                     | 218 | 09.08-12.10 | ■ |  |
| 525 xi (N53 B30 A)                         |  | Gasolina | 4WD | 2996 | 160                                     | 218 | 01.07-12.10 | ■ |  |
| 530i (N52 B30 A)                           |  | Gasolina | RWD | 2996 | 190                                     | 258 | 09.04-02.07 | ■ |  |
| 530i (N52 B30 BF)                          |  | Gasolina | RWD | 2996 | 190                                     | 258 | 09.04-02.07 | ■ |  |
| 530 xi (N52 B30 A)                         |  | Gasolina | 4WD | 2996 | 190                                     | 258 | 04.05-02.07 | ■ |  |
| 530i (N53 B30 A)                           |  | Gasolina | RWD | 2996 | 200                                     | 272 | 01.07-12.10 | ■ |  |
| 530i (N52 B30 A)                           |  | Gasolina | RWD | 2996 | 200                                     | 272 | 09.06-03.10 | ■ |  |
| 530 i xDrive (N53 B30 A)                   |  | Gasolina | 4WD | 2996 | 200                                     | 272 | 09.08-05.10 | ■ |  |
| 530 xi (N52 B30 A)                         |  | Gasolina | 4WD | 2996 | 200                                     | 272 | 03.07-05.10 | ■ |  |
| 530 xi (N53 B30 A)                         |  | Gasolina | 4WD | 2996 | 200                                     | 272 | 09.06-09.08 | ■ |  |
| 545 i (N62 B44 A)                          |  | Gasolina | RWD | 4398 | 245                                     | 333 | 06.04-12.10 | ■ |  |
| 550i (N62 B48 A)                           | SA S212A   | Gasolina | RWD | 4799 | 270                                     | 367 | 07.05-12.10 | ■ |  |
| 550i (N62 B48 B)                           | SA S212A   | Gasolina | RWD | 4799 | 270                                     | 367 | 07.05-12.10 | ■ |  |
| 520 d (M47 D20 (204D4))                    | government vehicles  | Diesel   | RWD | 1995 | 110                                     | 150 | 09.05-02.07 | ■ |  |
| 520 d (M47 D20 (204D4))                    |  | Diesel   | RWD | 1995 | 120                                     | 163 | 04.05-05.10 | ■ |  |
| 520 d (N47 D20 C)                          |  | Diesel   | RWD | 1995 | 120                                     | 163 | 04.05-05.10 | ■ |  |
| 520 d (N47 D20 A)                          |  | Diesel   | RWD | 1995 | 130                                     | 177 | 09.07-05.10 | ■ |  |
| 520 d (N47 D20 C)                          |  | Diesel   | RWD | 1995 | 130                                     | 177 | 09.07-05.10 | ■ |  |
| 525 d (M57 D25 (256D2))                    | government vehicles  | Diesel   | RWD | 2497 | 120                                     | 163 | 03.04-03.07 | ■ |  |
| 525 d (M57 D25 (256D2))                    | government vehicles  | Diesel   | RWD | 2497 | 130                                     | 177 | 03.04-03.07 | ■ |  |
| 525 d (M57 D30 (306D3))                    | government vehicles  | Diesel   | RWD | 2993 | 145                                     | 197 | 03.07-05.10 | ■ |  |
| 525 d xDrive (M57 D30 (306D3))             |  | Diesel   | 4WD | 2993 | 145                                     | 197 | 09.08-05.10 | ■ |  |
| 525 xd (M57 D30 (306D3))                   |  | Diesel   | 4WD | 2993 | 145                                     | 197 | 09.07-09.08 | ■ |  |
| 530 d (M57 D30 (306D2))                    | government vehicles   not government vehic   | Diesel   | RWD | 2993 | 155                                     | 211 | 03.04-05.10 | ■ |  |
| 530 d (M57 D30 (306D3))                    | government vehicles   not government vehic   | Diesel   | RWD | 2993 | 155                                     | 211 | 03.04-05.10 | ■ |  |
| 530 d (M57 D30 (306D2))                    | increased payload, government vehicles   not government vehic, not increas.payload | Diesel   | RWD | 2993 | 160                                     | 218 | 03.04-09.05 | ■ |  |

# LISTA DE APLICACIONES - BUYERS GUIDE

|   |  |          |     |      |     |     |   |   |  |
|---|--|----------|-----|------|-----|-----|---|---|--|
| 530 d (M57 D30 (306D3))                       | government vehicles, increased payload   not government vehic, not increas.payload | Diesel   | RWD | 2993 | 170 | 231 | 02.05-02.07                                 | ■ |  |
| 530 xd (M57 D30 (306D3))                      |  | Diesel   | 4WD | 2993 | 170 | 231 | 02.05-02.07                                 | ■ |  |
| 530 d (M57 D30 (306D3))                       | government vehicles, increased payload   not government vehic, not increas.payload | Diesel   | RWD | 2993 | 173 | 235 | 02.07-05.10                                 | ■ |  |
| 530 d xDrive (M57 D30 (306D3))                |  | Diesel   | 4WD | 2993 | 173 | 235 | 09.07-05.10                                 | ■ |  |
| 530 xd (M57 D30 (306D3))                      |  | Diesel   | 4WD | 2993 | 173 | 235 | 03.07-08.07                                 | ■ |  |
| 535 d (M57 D30 (306D5))                       |  | Diesel   | RWD | 2993 | 210 | 286 | 01.07-12.10                                 | ■ |  |
| <b>6 Serie II (E64) 03.04-12.10</b>           |  |          |     |      |     |     | <b>Convertible (Grand Tourer-S Segment)</b> |   |  |
| 630 i (N52 B30 A)                             |  | Gasolina | RWD | 2996 | 190 | 258 | 09.04-08.07                                 | ■ |  |
| 630 i (N52 B30 B)                             |  | Gasolina | RWD | 2996 | 190 | 258 | 09.04-08.07                                 | ■ |  |
| 630 i (N52 B30 BF)                            |  | Gasolina | RWD | 2996 | 190 | 258 | 09.04-08.07                                 | ■ |  |
| 630 i (N53 B30 A)                             | discØ 348, discØ 324   | Gasolina | RWD | 2996 | 200 | 272 | 09.07-08.10                                 | ■ |  |
| 630 i (N52 B30 A)                             | discØ 348, discØ 324   | Gasolina | RWD | 2996 | 200 | 272 | 09.07-08.10                                 | ■ |  |
| 630 i (N52 B30 B)                             | discØ 348, discØ 324   | Gasolina | RWD | 2996 | 200 | 272 | 09.07-08.10                                 | ■ |  |
| 630 i (N52 B30 BF)                            | discØ 348, discØ 324   | Gasolina | RWD | 2996 | 200 | 272 | 09.07-08.10                                 | ■ |  |
| 645 Ci (N62 B44 A)                            |  | Gasolina | RWD | 4398 | 245 | 333 | 04.04-08.05                                 | ■ |  |
| 650 i (N62 B48 B)                             | SA S212A   | Gasolina | RWD | 4799 | 270 | 367 | 09.05-08.10                                 | ■ |  |
| <b>6 Serie II (E63) 09.03-12.13</b>           |  |          |     |      |     |     | <b>Coupe (Grand Tourer-S Segment)</b>       |   |  |
| 630 i (N52 B30 A)                             |  | Gasolina | RWD | 2996 | 190 | 258 | 09.04-08.07                                 | ■ |  |
| 630 i (N52 B30 BF)                            |  | Gasolina | RWD | 2996 | 190 | 258 | 09.04-08.07                                 | ■ |  |
| 630 i (N53 B30 A)                             | discØ 348, discØ 324   | Gasolina | RWD | 2996 | 200 | 272 | 09.07-08.10                                 | ■ |  |
| 630 i (N52 B30 A)                             | discØ 348, discØ 324   | Gasolina | RWD | 2996 | 200 | 272 | 09.07-08.10                                 | ■ |  |
| 630 i (N52 B30 B)                             | discØ 348, discØ 324   | Gasolina | RWD | 2996 | 200 | 272 | 09.07-08.10                                 | ■ |  |
| 630 i (N52 B30 BF)                            | discØ 348, discØ 324   | Gasolina | RWD | 2996 | 200 | 272 | 09.07-08.10                                 | ■ |  |
| 645 Ci (N62 B44 A)                            |  | Gasolina | RWD | 4398 | 245 | 333 | 09.03-08.05                                 | ■ |  |
| 650 i (N62 B48 B)                             | SA S212A   | Gasolina | RWD | 4799 | 270 | 367 | 09.05-08.10                                 | ■ |  |
| <b>7 Serie IV (E65, E66, E67) 07.01-12.09</b> |  |          |     |      |     |     | <b>Saloon (Luxury car-F Segment)</b>        |   |  |
| 730 i, Li (M54 B30 (306S3))                   |  | Gasolina | RWD | 2979 | 170 | 231 | 03.03-07.08                                 | ■ |  |
| 730 i, Li                                     |  | Gasolina | RWD | 2996 | 184 | 250 | 03.05-07.08                                 | ■ |  |
| 730 i, Li (N52 B30 A)                         |  | Gasolina | RWD | 2996 | 190 | 258 | 03.05-08.08                                 | ■ |  |
| 730 i, Li (N52 B30 BF)                        |  | Gasolina | RWD | 2996 | 190 | 258 | 03.05-08.08                                 | ■ |  |
| 735 i, Li (N62 B36 A)                         |  | Gasolina | RWD | 3600 | 200 | 272 | 11.01-02.05                                 | ■ |  |
| 735 i   | -12/08   | Gasolina | RWD | 3999 | 225 | 306 | 03.05-12.09                                 | ■ |  |
| 740 i, Li (N62 B40 A)                         |  | Gasolina | RWD | 4000 | 225 | 306 | 03.05-08.08                                 | ■ |  |
| 745 i, Li (N62 B44 A)                         |  | Gasolina | RWD | 4398 | 245 | 333 | 07.01-03.05                                 | ■ |  |
| 750 i, Li (N62 B48 B)                         | increased payload  | Gasolina | RWD | 4799 | 270 | 367 | 03.05-08.08                                 | ■ |  |
| 760i (N73 B60 A)                              |  | Gasolina | RWD | 5972 | 320 | 435 | 02.03-08.05                                 | ■ |  |
| 760i (N73 B60 B)                              |  | Gasolina | RWD | 5972 | 320 | 435 | 02.03-08.05                                 | ■ |  |
| 760 i, Li (N73 B60 A)                         | increased payload, armoured vehicles   | Gasolina | RWD | 5972 | 327 | 445 | 01.03-08.08                                 | ■ |  |
| 760 i, Li (N73 B60 B)                         | increased payload, armoured vehicles   | Gasolina | RWD | 5972 | 327 | 445 | 01.03-08.08                                 | ■ |  |
| 730 d (M57 D30 (306D2))                       |  | Diesel   | RWD | 2993 | 150 | 204 | 09.02-08.03                                 | ■ |  |
| 730 d (M57 D30 (306D2))                       |  | Diesel   | RWD | 2993 | 155 | 211 | 09.03-08.08                                 | ■ |  |
| 730 d (M57 D30 (306D3))                       |  | Diesel   | RWD | 2993 | 155 | 211 | 09.03-08.08                                 | ■ |  |
| 730 d (M57 D30 (306D2))                       |  | Diesel   | RWD | 2993 | 160 | 218 | 06.02-02.05                                 | ■ |  |
| 730 Ld (M57 D30 (306D3))                      |  | Diesel   | RWD | 2993 | 170 | 231 | 07.05-08.08                                 | ■ |  |
| 740 d (M67 D39 (398D1))                       |  | Diesel   | RWD | 3901 | 190 | 258 | 10.02-02.05                                 | ■ |  |

**BMW (BRILLIANCE)**

# LISTA DE APLICACIONES - BUYERS GUIDE

| 5 SERIES V (E60) 07.03-12.10 |          |     |      |     | Saloon (Executive car-E Segment) |             |   |  |
|------------------------------|----------|-----|------|-----|----------------------------------|-------------|---|--|
| 520 i                        | Gasolina | RWD | 2171 | 127 | 173                              | 05.04-12.06 | ■ |  |
| 2.5 523i                     | Gasolina | FWD | 2494 | 130 | 175                              | 07.03-      | ■ |  |
| 525 i                        | Gasolina | RWD | 2494 | 141 | 192                              | 04.04-02.06 | ■ |  |
| 525 i                        | Gasolina | RWD | 2497 | 160 | 218                              | 01.05-01.06 | ■ |  |
| 530i                         | Gasolina | RWD | 2979 | 170 | 231                              | 10.03-06.05 | ■ |  |
| 3.0 530 Li                   | Gasolina | FWD | 2996 | 190 | 258                              | 01.08-      | ■ |  |
| 530i (N52 B30 BF)            | Gasolina | RWD | 2996 | 190 | 258                              | 01.05-12.06 | ■ |  |