

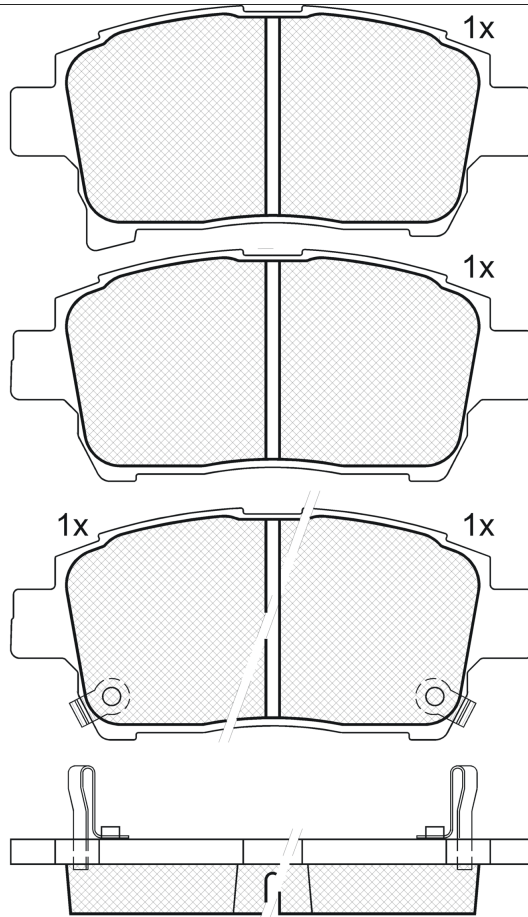
LISTA DE APLICACIONES - BUYERS GUIDE

181583



Qty: 300

Weight: 1.174



181583

E 9 90R-01111/1064



Akebono

116.4x51.5x16.5

116.6x54.4x16.5

O.E.M.	MAKE
04465-0D020	TOYOTA
04465-0D030	TOYOTA
04465-0W050	TOYOTA
04465-0W080	TOYOTA
04465-12580	TOYOTA
04465-12581	TOYOTA
04465-12590	TOYOTA
04465-12591	TOYOTA
04465-12592	TOYOTA
04465-13020	TOYOTA
04465-13041	TOYOTA
04465-13050	TOYOTA
04465-17102	TOYOTA
04465-32210	TOYOTA
04465-32230	TOYOTA
04465-47050	TOYOTA
04465-52021	TOYOTA
04465-52022	TOYOTA
04465-52100	TOYOTA
86 60 000 744	RENAULT
86 60 004 520	RENAULT

WVA	FMSI
23510	D990-7695
23511	
23512	
23904	
23905	

MAKE
BYD
SCION
TOYOTA



Trac.	CC	Kw	CV
-------	----	----	----



Front / Rear

BYD

							Saloon ()	
F3 03.05-								
DM Hybrid 1.0 (BYD371QA)		Gasol./el éc.	FWD	998	50	68	01.09-	■

SCION

							Hatchback (Supermini car-B Segment)	
xA 09.03-12.06								
1.5		Gasolina	FWD	1497	77	105	09.03-12.06	■
1.5		Gasolina	FWD	1497	81	110	09.03-12.05	■

							MPV (Compact car-C Segment)	
xB 09.03-12.06								
1.5 (1NZ-FE)	-12/04	Gasolina	FWD	1497	81	110	09.03-12.06	■

TOYOTA

							Saloon (Compact car-C Segment)	
ALLION (_T24_) 06.01-06.07								
1.5 (NZZ240) (1NZ-FE)		Gasolina	FWD	1497	80	109	06.01-04.05	■
1.8 (ZZT240) (1ZZ-FE)		Gasolina	FWD	1794	92	125	06.01-09.04	■
1.8		Gasolina	FWD	1794	97	132	06.01-04.05	■
1.8		Gasolina	FWD	1794	97	132	06.01-06.07	■
1.8		Gasolina	FWD	1797	100	136	06.01-06.07	■
1.8		Gasolina	FWD	1797	100	136	06.01-06.07	■
2.0		Gasolina	FWD	1998	114	155	06.01-06.07	■

							MPV (Compact MPV-M1 Segment)	
bB (NCP3_) 01.00-12.05								
1.3	-12/05	Gasolina	FWD	1298	68	92	12.05-	■
1.3 (QNC20) (K3-VE)		Gasolina	FWD	1298	68	92	12.05-06.16	■
1.3 (NCP30_, NCP30) (2NZ-FE)		Gasolina	FWD	1299	57	78	01.00-11.05	■
1.5 (QNC21) (3SZ-VE)		Gasolina	FWD	1495	80	109	01.06-06.16	■

LISTA DE APLICACIONES - BUYERS GUIDE

1.5 4WD (NCP35) (1NZ-FE)		Gasolina	4WD	1497	77	105	03.00-12.05	■	
1.5 (NCP31) (1NZ-FE)		Gasolina	FWD	1497	80	109	03.00-12.05	■	
CELICA VII (_T23_) 08.99-03.06					Coupe (Sports car-S Segment)				
1.8 16V VT-i (ZZT230_, ZZT230) (1ZZ-FE)		Gasolina	FWD	1794	105	143	08.99-07.05	■	
COROLLA IX (_E12_) 03.01-12.08					Estate (Compact executive car-D Segment)				
1.4 VVT-i (ZZE120_, ZZE120R) (4ZZ-FE)	-12/02	Gasolina	FWD	1398	71	97	01.02-02.07	■	
1.5 (NZE121_, NZE121R) (1NZ-FE)		Gasolina	FWD	1497	81	110	03.01-09.06	■	
1.6 VVT-i (ZZE121_, ZZE121R) (3ZZ-FE)	-12/06	Gasolina	FWD	1598	81	110	01.02-08.07	■	
1.8 (ZZE122) (1ZZ-FE)		Gasolina	FWD	1794	100	136	12.01-12.07	■	
COROLLA IX (_E12_) 07.01-05.07					MPV (Compact MPV-M1 Segment)				
1.6 VVT-i (ZZE121_, ZZE121R) (3ZZ-FE)		Gasolina	FWD	1598	81	110	08.01-05.04	■	
COROLLA IX / ALTIS / AXIO-ALTIS (_E12_) 08.00-12.08					Saloon (Compact executive car-D Segment)				
1.4 VVT-i (ZZE120_, ZZE120R) (4ZZ-FE)		Gasolina	FWD	1398	71	97	10.01-10.06	■	
1.6 VVT-i (ZZE121_, ZZE121R) (3ZZ-FE)		Gasolina	FWD	1598	81	110	10.01-03.08	■	
1.8 (ZZE122) (1ZZ-FE)		Gasolina	FWD	1794	92	125	05.02-05.04	■	
1.8 (ZZE122) (1ZZ-FE)		Gasolina	FWD	1794	96	131	03.01-07.05	■	
COROLLA IX / RUNX (_E12_) 01.01-04.08					Hatchback (Compact executive car-D Segment)				
1.4 VVT-i (ZZE120_, ZZE120R) (4ZZ-FE)		Gasolina	FWD	1398	71	97	11.01-02.07	■	
1.6 VVT-i (ZZE121_, ZZE121R) (3ZZ-FE)		Gasolina	FWD	1598	81	110	01.02-12.06	■	
1.8 4WD (ZZE124) (1ZZ-FE)		Gasolina	4WD	1794	100	136	01.01-02.07	■	
1.8 VVTi (ZZE122_, ZZE122R) (1ZZ-FE)		Gasolina	FWD	1794	100	136	01.01-12.07	■	
1.8 VVTL-i TS (ZZE123) (2ZZ-GE)		Gasolina	FWD	1796	141	192	11.01-02.07	■	
1.8 VVTL-i TS (ZZE123_, ZZE123R) (2ZZ-GE)		Gasolina	FWD	1796	160	218	10.05-12.06	■	
1.8 VVTL-i TS (ZZE123_, ZZE123R) (2ZZ-GE)		Gasolina	FWD	1796	165	224	02.05-02.07	■	
IST / XA (NCP6_) 04.02-07.07					Hatchback (Supermini car-B Segment)				
1.3 VVTi (NCP60) (2NZ-FE)	-12/05	Gasolina	FWD	1299	63	86	05.04-07.07	■	
1.5 VVTi (NCP61_, NCP61) (1NZ-FE)	-12/05	Gasolina	FWD	1497	80	109	05.04-07.07	■	
MR 2 III / MR (ZZW3_) 10.99-06.07					Convertible (Sports car-S Segment)				
1.8 16V VT-i (ZZW30) (1ZZ-FE)		Gasolina	RWD	1794	103	140	10.99-06.07	■	
OPA (ZCT1_, ACT1_) 04.00-04.05					Estate (Executive car-E Segment)				
1.8 (ZCT10) (1ZZ-FE)	drum brak.rear axle	Gasolina	FWD	1794	97	132	04.00-08.03	■	
1.8 (ZCT10) (1ZZ-FE)		Gasolina	FWD	1794	100	136	04.00-08.03	■	
2.0 (ACT10) (1AZ-FSE)		Gasolina	FWD	1998	112	152	08.00-04.05	■	
PREMIO (_T24_) 12.01-06.07					Saloon (Executive car-E Segment)				
1.5 (NZE121_, NZE121R) (1NZ-FE)		Gasolina	FWD	1497	80	109	12.01-05.07	■	
1.8		Gasolina	FWD	1762	106	144	12.01-05.07	■	
1.8 (ZZT240)		Gasolina	FWD	1794	97	132	12.01-06.07	■	
1.8 4WD (ZZT245_)		Gasolina	FWD	1794	97	132	12.01-04.07	■	
PRIUS II (_W2_) 09.03-01.10					Hatchback (Executive car-E Segment)				
1.5 Hybrid (NHW20_, NHW20R) (1NZ-FXE)	-12/08	Gasol./el éc.	FWD	1497	82	112	09.03-12.09	■	
1.5 Hybrid (NHW2_)		Gasol./el éc.	FWD	1497	83	113	09.03-03.09	■	
PROBOX/SUCCEED (_P5_) 07.02-					Estate (Van-M2-Segment)				
1.5 VVTi 4WD (NCP59G) (1NZ-FE)	Eq.V_ TX/F	Gasolina	4WD	1497	77	105	07.02-08.14	■	
1.5 VVTi (NCP58G) (1NZ-FE)	Eq.V_ TX/F	Gasolina	FWD	1497	80	109	07.02-08.14	■	

LISTA DE APLICACIONES - BUYERS GUIDE

SOLUNA (AL5_) 12.96-06.03					Saloon (Supermini car-B Segment)			
1.5		Gasolina	FWD	1497	70	95	12.96-06.03	■
SOLUNA VIOS (_P4_) 07.02-08.13					Saloon (Supermini car-B Segment)			
1.3 (AXP41_)		Gasolina	FWD	1342	64	87	07.02-08.13	■
1.5 (NCP42_)		Gasolina	FWD	1497	81	110	12.02-08.13	■
1.5 (AXP42_)		Gasolina	FWD	1498	68	92	07.02-08.13	■
VIOS / SOLUNA VIOS / YARIS / BELTA (_P4_) 07.02-08.13					Saloon (Supermini car-B Segment)			
1.3 VVTi (AXP41_) (8A-FE)		Gasolina	FWD	1342	64	87	07.02-01.08	■
1.5 VVTi (NCP42_) (1NZ-FE)		Gasolina	FWD	1497	68	92	10.02-10.06	■
1.5 VVTi (NCP42_, NCP42R) (1NZ-FE)		Gasolina	FWD	1497	80	109	10.02-10.06	■
VISTA V (_V5_) 06.98-08.03					Saloon (Executive car-E Segment)			
1.8 (ZZV50) (1ZZ-FE)		Gasolina	FWD	1794	96	131	06.98-08.03	■
WILL CYPHA (NCP7_) 05.01-07.05					Hatchback (Compact car-C Segment)			
1.3 VVTi (NCP70) (2NZ-FE)		Gasolina	FWD	1299	62	84	05.01-07.05	■
1.5 VVTi 4WD (NCP75) (1NZ-FE)		Gasolina	4WD	1497	78	106	05.01-07.05	■
YARIS VERSO / ECHO VERSO / FUN CARGO (_P2_) 03.00-09.05					Hatchback Van (Mini MPV-M1 Segment)			
1.3 VVTi (NCP22_) (2NZ-FE)		Gasolina	FWD	1299	62	84	04.03-09.05	■
1.3 VVTi (NCP22_) (2NZ-FE)		Gasolina	FWD	1299	63	86	03.00-09.05	■
1.5 VVTi (NCP21_) (1NZ-FE)		Gasolina	FWD	1497	78	106	03.00-03.03	■
1.4 D4d (NLP22_) (1ND-TV)		Diesel	FWD	1364	55	75	10.01-09.05	■
YARIS VERSO / ECHO VERSO / FUN CARGO (_P2_) 08.99-09.05					MPV (Mini MPV-M1 Segment)			
1.3 (NCP20_, NCP22_, NCP20R, NCP22R) (2NZ-FE)		Gasolina	FWD	1299	62	84	11.02-09.05	■
1.3 (NCP20_, NCP22_, NCP20R, NCP22R) (2NZ-FE)		Gasolina	FWD	1299	63	86	08.99-10.02	■
1.5 (NCP21_) (1NZ-FE)		Gasolina	FWD	1497	77	105	03.00-09.05	■
1.5 (NCP21_) (1NZ-FE)		Gasolina	FWD	1497	78	106	03.00-09.05	■
1.5 4WD (NCP25) (1NZ-FE)		Gasolina	4WD	1497	78	106	03.00-09.05	■
1.4 D-4D (NLP20_, NLP22_) (1ND-TV)		Diesel	FWD	1364	55	75	09.00-09.05	■
YARIS / ECHO / VITZ (_P1_) 01.99-12.05					Hatchback (Supermini car-B Segment)			
1.5 (NCP13_, NCP13R) (1NZ-FE)		Gasolina	FWD	1497	77	105	01.03-11.05	■
1.5 (NCP13_, NCP13R) (1NZ-FE)		Gasolina	FWD	1497	78	106	04.01-09.05	■