

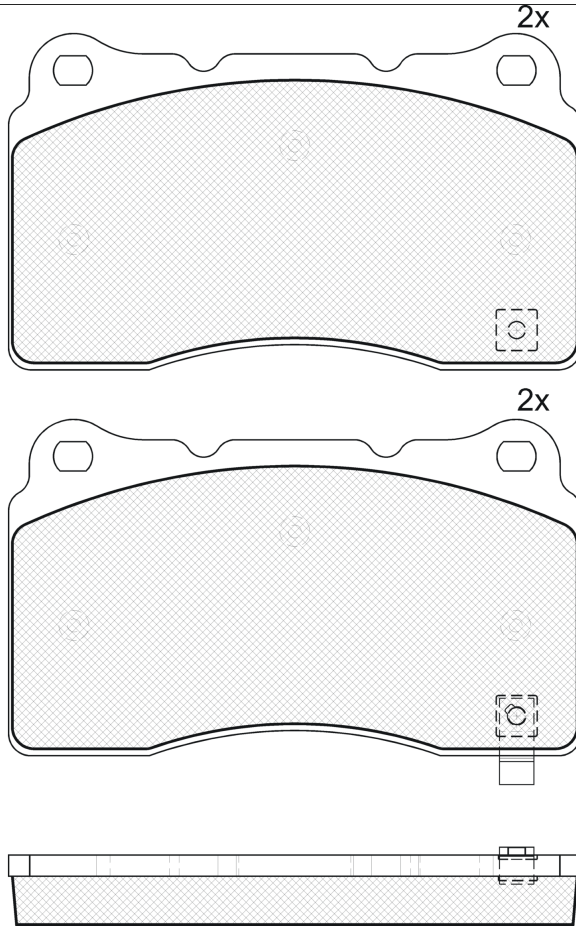
LISTA DE APLICACIONES - BUYERS GUIDE

181585



Qty: 300 Weight: 2.152

O.E.M.	MAKE
26296-FE040	SUBARU
26296-FE041	SUBARU
26296-FE042	SUBARU
26296-FE100	SUBARU
26296-FE120	SUBARU
45022-TGH-A02	HONDA
45022-TV8-E01	HONDA
45022-TV8-E02	HONDA
46 05A 049	MITSUBISHI
46 05A 572	MITSUBISHI
46 05A 694	MITSUBISHI
46 05C 033	MITSUBISHI
68232820AA	DODGE
MR 407 376	MITSUBISHI
MZ 690 582	MITSUBISHI
SU003-07217	TOYOTA



181585

E 9 90R-01111/952



Brembo

131.6x77.3x16

WVA	FMSI
23092	D1001-7902
23325	D1001-7942
	D1050-8968
	D2323-7942

MAKE
BUICK
CADILLAC
CHEVROLET
DODGE
FORD
FORD ASIA & OCEANIA
HONDA
MITSUBISHI
SUBARU
TOYOTA



Trac.	CC	Kw	CV		Front / Rear
-------	----	----	----	--	--------------

BUICK								
REGAL V (U.S.A.) 09.10-						Saloon (Large family car-D Segment)		
2.4	Eq.V_ GS	Gasolina	FWD	136	185	09.10-		■
CADILLAC								
ATS 02.13-						Coupe (Luxury car-F Segment)		
2.0	reinforced brakes, not Performance brak	Gasolina	FWD	1998	201	273	02.13-	■
2.0	reinforced brakes, not Performance brak	Gasolina	FWD	1998	201	273	02.13-	■
2.0 (LTG)	reinforced brakes, not Performance brak	Gasolina	RWD	1998	203	276	02.13-	■
2.0 AWD (LTG)	reinforced brakes, not Performance brak	Gasolina	4WD	1998	203	276	02.13-	■
3.6	reinforced brakes, not Performance brak	Gasolina	FWD	3564	250	340	09.15-	■
3.6 V (LF4(218CUV6))	reinforced brakes, not Performance brak	Gasolina	RWD	3564	339	461	04.15-	■
3.6 (LGX)	reinforced brakes, not Performance brak	Gasolina	RWD	3649	250	340	09.15-	■
ATS 02.13-						Saloon (Luxury car-F Segment)		
2.0	reinforced brakes, not Performance brak	Gasolina	FWD	1998	201	273	02.13-	■
2.0	reinforced brakes, not Performance brak	Gasolina	FWD	1998	201	273	02.13-	■
2.0 (LTG)	reinforced brakes, not Performance brak	Gasolina	RWD	1998	203	276	02.13-	■
2.0 AWD (LTG)	reinforced brakes, not Performance brak	Gasolina	4WD	1998	203	276	02.13-	■
3.6	reinforced brakes, not Performance brak	Gasolina	FWD	3564	250	340	09.15-	■

LISTA DE APLICACIONES - BUYERS GUIDE

3.6 V (LF4(218CUV6))	reinforced brakes, not Performance brak	Gasolina	RWD	3564	339	461	04.15-	■	
3.6 (LGX)	reinforced brakes, not Performance brak	Gasolina	RWD	3649	250	340	01.14-	■	
CTS 03.02-12.07					Saloon (Executive car-E Segment)				
3.2 (LA3)	01/04-	Gasolina	RWD	3175	160	218	03.02-09.07	■	
3.6 (LY7)		Gasolina	RWD	3564	189	257	03.05-09.07	■	
5.7 V8 (LS6(346CUV8))		Gasolina	RWD	5665	294	400	03.05-09.07	■	
5.7 V (LS6(346CUV8))		Gasolina	RWD	5665	298	405	01.04-12.05	■	
STS 09.04-12.07					Saloon (Luxury car-F Segment)				
4.4 Kompressor (LC3(267CUV8))		Gasolina	RWD	4371	350	476	09.05-12.07	■	
4.4 Kompressor AWD (LC3(267CUV8))		Gasolina	4WD	4371	350	476	09.05-12.07	■	
4.6 AWD (LH2)		Gasolina	4WD	4565	239	325	09.04-12.05	■	
XTS (1P5) 09.11-					Saloon (Luxury car-F Segment)				
3.6 (LFX)	Eq.V_ XTS Performance	Gasolina	FWD	3564	227	309	09.11-	■	
CHEVROLET									
CORVETTE VII (C7) 09.13-					Convertible (Sports car-S Segment)				
6.2		Gasolina	RWD	6162	335	456	09.13-	■	
6.2 (LT1(376CUV8))		Gasolina	RWD	6162	339	461	09.13-11.19	■	
6.2 (LT1(376CUV8))		Gasolina	RWD	6162	343	466	04.14-12.19	■	
CORVETTE VII (C7) 09.13-					Coupe (Sports car-S Segment)				
6.2		Gasolina	RWD	6162	321	437	09.13-	■	
6.2		Gasolina	RWD	6162	336	457	09.13-11.19	■	
6.2 (LT1(376CUV8))		Gasolina	RWD	6162	339	461	09.13-11.19	■	
6.2 (LT1(376CUV8))		Gasolina	RWD	6162	343	466	04.14-12.19	■	
DODGE									
VIPER 09.02-12.10					Coupe (Sports car-S Segment)				
SRT-10 (EWE)		Gasolina	RWD	8382	450	612	09.07-12.10	■ ■	
VIPER III-IV 09.02-12.17					Convertible (Sports car-S Segment)				
SRT-10		Gasolina	FWD	8360	441	600	06.12-	■ ■	
SRT-10 (EWE)		Gasolina	RWD	8382	450	612	09.09-12.10	■ ■	
VIPER III-IV 01.03-					Coupe (Sports car-S Segment)				
SRT-10		Gasolina	RWD	8277	372	506	01.03-	■ ■	
SRT-10		Gasolina	FWD	8360	441	600	06.12-	■ ■	
FORD									
GT 06.03-					Coupe (Grand Tourer-S Segment)				
5.4		Gasolina	RWD	5403	368	500	06.03-12.06	■ ■	
FORD ASIA & OCEANIA									
FALCON 01.69-					Saloon (Luxury car-F Segment)				
BA GT-P Brembo	01/02-	Gasolina	FWD				01.69-	■	
HONDA									
CIVIC IX (FK) 02.12-					Hatchback (Compact car-C Segment)				
1.4 i-VTEC (FK1) (L13Z4)		Gasolina	FWD	1339	73	99	02.12-12.16	■	
1.8 i-VTEC (FK2) (R18Z4)		Gasolina	FWD	1798	104	141	02.12-12.16	■	
2.0 i-VTEC Type R (FK2) (K20C1)		Gasolina	FWD	1996	228	310	08.15-12.16	■	
1.6 i-DTEC (FK3) (N16A1)		Diesel	FWD	1597	88	120	02.13-12.16	■	
2.2 i-DTEC (FK3) (N22B4)		Diesel	FWD	2199	110	150	02.12-12.16	■	

LISTA DE APLICACIONES - BUYERS GUIDE

MITSUBISHI									
CARISMA (DA_) 09.96-06.06						Saloon (Large family car-D Segment)			
2.0 16V GT EVO VI/VII (4G63 TURBO)		Gasolina	4WD	1997	206	280	11.99-06.06	■	
LANCER III-IV (CJ_, CP_, CK_) 09.95-12.03						Saloon (Compact car-C Segment)			
EVO V (CP9A) (4G63 TURBO)		Gasolina	4WD	1997	206	280	01.98-12.98	■	
EVO VI (CP9A) (4G63 TURBO)	Europe	Gasolina	4WD	1997	206	280	01.99-02.01	■	
LANCER IV / CEDIA (CS_A, CT_A) 01.00-12.13						Saloon (Compact car-C Segment)			
EVO VIII - 260 (CT9A) (4G63 TURBO)		Gasolina	4WD	1997	195	265	03.04-07.05	■	
EVO IX (CT9A) (4G63 TURBO)	01/07-	Gasolina	4WD	1997	206	280	01.05-09.07	■	
EVO VII (CT9A) (4G63 TURBO)		Gasolina	4WD	1997	206	280	01.01-01.03	■	
EVO VIII (CT9A) (4G63 TURBO)		Gasolina	4WD	1997	206	280	04.03-03.05	■	
EVO IX (CT9A) (4G63 TURBO)		Gasolina	4WD	1997	213	290	08.05-09.06	■	
EVO VIII - FQ-300 (CT9A) (4G63 TURBO)		Gasolina	4WD	1997	225	305	04.03-04.04	■	
EVO IX - FQ-300 (CT9A) (4G63 TURBO)		Gasolina	4WD	1997	227	309	06.05-12.06	■	
EVO VIII - FQ-300 (CT9A) (4G63 TURBO)		Gasolina	4WD	1997	227	309	04.03-04.04	■	
EVO VIII - FQ-320 (CT9A) (4G63 TURBO)		Gasolina	4WD	1997	243	330	04.04-08.06	■	
EVO VIII - FQ-330 (CT9A) (4G63 TURBO)		Gasolina	4WD	1997	246	334	10.03-08.06	■	
EVO VIII - FQ-340 (CT9A) (4G63 TURBO)		Gasolina	4WD	1997	255	347	04.04-03.05	■	
EVO IX - FQ-340 (CT9A) (4G63 TURBO)		Gasolina	4WD	1997	257	350	06.05-12.07	■	
EVO IX		Gasolina	4WD	1997	269	366	07.06-10.08	■	
EVO IX - FQ-360 (CT9A) (4G63 TURBO)		Gasolina	4WD	1997	273	371	07.06-12.07	■	
EVO VIII - FQ-400 (CT9A) (4G63 TURBO)		Gasolina	4WD	1997	302	411	10.04-08.06	■	
LANCER V EX / GALANT FORTIS / LANCER SERIE R / LANCER FORTIS (CY_A, CZ_A) 03.07-						Saloon (Compact car-C Segment)			
2.0 i Ralliart 4WD (CY4A) (4B11-T/C)		Gasolina	4WD	1998	177	241	10.08-	■	
EVO X (CZ4A) (4B11-T/C)	Europe	Gasolina	4WD	1998	206	280	10.07-10.08	■	
EVO X (CZ4A) (4B11-T/C)	Europe	Gasolina	4WD	1998	217	295	06.08-12.15	■	
EVO X (CZ4A) (4B11-T/C)	Europe, Europe	Gasolina	4WD	1998	221	301	06.08-03.15	■	
EVO X - FQ330 (CZ4A) (4B11-FQ30)	Europe, Europe	Gasolina	4WD	1998	242	329	03.08-06.15	■	
2.0 EVO X	Europe, Europe	Gasolina	4WD	1998	257	349	10.11-	■	
EVO X - FQ360 (CZ4A) (4B11-FQ60)	Europe, Europe	Gasolina	4WD	1998	264	359	03.08-06.15	■	
2.0 EVO X	Europe, Europe	Gasolina	4WD	1998	296	402	06.09-	■	
EVO X - FQ400 (CZ4A) (4B11-T/C)	Europe, Europe	Gasolina	4WD	1998	301	409	05.09-12.10	■	
EVO X - FQ440 (CZ4A) (4B11-T/C)		Gasolina	4WD	1998	328	446	05.14-06.14	■	
LANCER V EX Sportback / GALANT FORTIS Sportback (CX_A) 10.07-						Hatchback (Compact car-C Segment)			
2.0 Ralliart 4WD (CX4A) (4B11-T/C)		Gasolina	4WD	1998	177	241	10.08-	■	
SUBARU									
BRZ (ZC6) 06.12-						Coupe (Sports car-S Segment)			
2.0 (ZC6) (FA20D)		Gasolina	RWD	1998	147	200	06.12-	■	
IMPREZA II (GG) 10.00-						Estate (Compact car-C Segment)			
2.0	-12/07	Gasolina	FWD	1994	184	250	10.05-	■	
2.0 WRX STi AWD	-12/07	Gasolina	4WD	1994	206	280	10.05-12.08	■	
2.5 AWD (EJ257)		Gasolina	4WD	2457	221	300	10.05-03.07	■	
IMPREZA II (GD) 09.99-						Saloon (Compact car-C Segment)			
2.0 AWD (GDA) (EJ20 (TURBO))		Gasolina	4WD	1994	184	250	10.05-03.07	■	
2.0 WRX STi AWD (GDB) (EJ207)		Gasolina	4WD	1994	195	265	11.01-07.05	■	
2.0	-12/07	Gasolina	FWD	1994	206	280	10.05-	■	
2.0 WRX STi Prodrive Performance Package AWD (EJ207)		Gasolina	4WD	1994	224	305	04.01-10.02	■	

LISTA DE APLICACIONES - BUYERS GUIDE

2.0 WRX STi AWD (EJ207)		Gasolina	4WD	1994	235	320	02.04-07.05	■	
2.5 WRX STi AWD (GDF) (EJ257)		Gasolina	4WD	2457	206	280	09.05-12.07	■	
2.5 AWD (GDF) (EJ257)		Gasolina	4WD	2457	221	300	10.05-03.07	■	
IMPREZA III (GR, GH, G3) 03.07-							Hatchback (Compact car-C Segment)		
2.5 WRX S AWD (EJ255)		Gasolina	4WD	2457	188	255	02.09-12.10	■	
2.5		Gasolina	FWD	2457	221	301	02.08-	■	
2.5 WRX STi AWD (GRF) (EJ257)		Gasolina	4WD	2457	221	301	01.08-08.13	■	
2.5 AWD		Gasolina	4WD	2457	228	310	09.10-08.13	■	
2.5 STi CS400 AWD (GRF) (EJ257)		Gasolina	4WD	2457	294	400	04.10-08.13	■	
IMPREZA III (GE, GV) 01.07-							Saloon (Compact car-C Segment)		
2.5 WRX STi AWD (GVF) (EJ257)		Gasolina	4WD	2457	221	301	01.11-	■	
2.5 AWD (GVB)		Gasolina	4WD	2457	228	310	09.10-12.15	■	
2.5 AWD (EJ257)		Gasolina	4WD	2457	235	320	02.07-12.07	■	
IMPREZA IV / WRX (GJ_) 07.11-							Saloon (Compact car-C Segment)		
2.5 WRX SE		Gasolina	FWD	2457	195	265	06.12-	■	
2.5 WRX STi		Gasolina	FWD	2457	224	305	06.12-	■	
2.5 WRX		Gasolina	FWD	2458	171	233	09.12-	■	
WRX / IMPREZA IV (GP) 10.10-12.14							Hatchback (Compact car-C Segment)		
STi 2.5 AWD		Gasolina	4WD	2457	221	300	10.10-12.14	■	
WRX / IMPREZA IV (GJ) 07.11-							Saloon (Compact car-C Segment)		
STi 2.5 AWD (EJ257)	04/17-	Gasolina	4WD	2457	221	301	06.14-	■	
TOYOTA									
GT 86 / 86 / TOYOTA 86 (ZN6_) 03.12-							Coupe (Sports car-S Segment)		
2.0 GT (ZN6EY_)		Gasolina	FWD	1998	153	208	08.16-	■	