

# LISTA DE APLICACIONES - BUYERS GUIDE

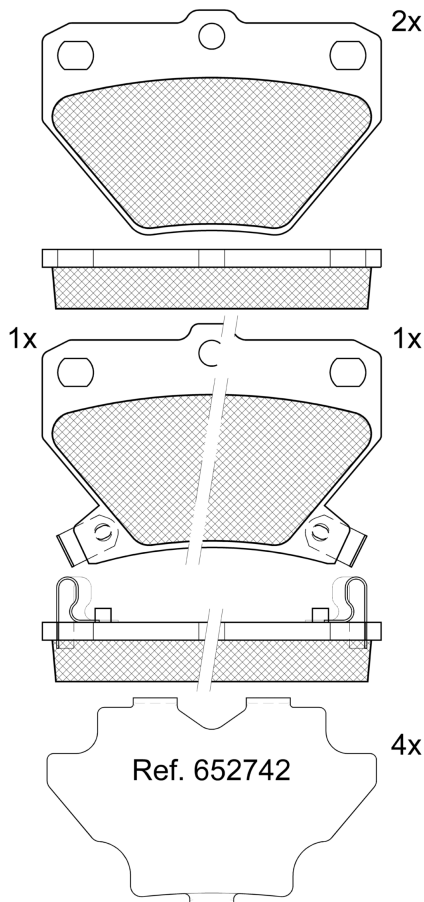
## 181607



Qty: 944

Weight: 654

O.E.M.	MAKE
04466-20090	TOYOTA
04466-52010	TOYOTA
04466-52020	TOYOTA
04466-52030	TOYOTA
04466-52040	TOYOTA
04466-52050	TOYOTA
04466-52060	TOYOTA
04466-YZZD5	TOYOTA
86 60 000 745	RENAULT
86 60 004 425	RENAULT
8897 2099	PONTIAC



## 181607

**E 9** 90R-01110/273



Akebono

78.35x51.9x14.4

78.35x55.45x14.4

WVA	FMSI
23521	D823-7696
23522	
23523	

MAKE
PONTIAC
TOYOTA



Trac.	CC	Kw	CV
-------	----	----	----



Front / Rear

### PONTIAC

VIBE 09.02-12.08							Estate (Compact car-C Segment)		
1.8 AWD	01/05-, disc brak.rear axle	Gasolina	4WD	1794	88	120	09.02-12.06		■
1.8	01/05-, disc brak.rear axle	Gasolina	FWD	1794	97	132	09.02-12.08		■
1.8 AWD (1ZZ-FE)	disc brak.rear axle	Gasolina	4WD	1794	97	132	09.02-12.06		■
1.8	01/05-, disc brak.rear axle	Gasolina	FWD	1795	134	182	09.02-12.06		■

### TOYOTA

ASCENT 06.01-10.03							Hatchback (Supermini car-B Segment)		
1.8		Gasolina	FWD	1762	81	110	06.01-10.03		■

ASCENT 06.01-10.03							Saloon (Supermini car-B Segment)		
1.8		Gasolina	FWD	1762	81	110	06.01-10.03		■

CELICA VII ( T23 ) 08.99-03.06							Coupe (Sports car-S Segment)		
1.8 16V VT-i (ZZT230_, ZZT230) (1ZZ-FE)		Gasolina	FWD	1794	105	143	08.99-07.05		■
1.8 16V TS (ZZT231_, ZZT231R) (2ZZ-GE)		Gasolina	FWD	1796	141	192	08.99-09.05		■

COROLLA IX ( E12 ) 03.01-12.08							Estate (Compact executive car-D Segment)		
1.4 VVT-i (ZZE120_, ZZE120R) (4ZZ-FE)	-12/02	Gasolina	FWD	1398	71	97	01.02-02.07		■
1.6 VVT-i (ZZE121_, ZZE121R) (3ZZ-FE)	-12/06, Japan	Gasolina	FWD	1598	81	110	01.02-08.07		■
1.8 (ZZE122_) (1ZZ-FE)		Gasolina	FWD	1794	93	126	10.05-12.07		■
1.8 (ZZE122) (1ZZ-FE)		Gasolina	FWD	1794	100	136	12.01-12.07		■
1.8 A las 4 ruedas		Gasolina	FWD	1794	100	136	12.01-02.07		■
1.8 (ZZE123_)		Gasolina	FWD	1796	140	190	03.01-09.06		■
2.0 D-4D (CDE120_, CDE120R) (1CD-FTV)		Diesel	FWD	1995	66	90	01.02-02.07		■

# LISTA DE APLICACIONES - BUYERS GUIDE

<b>COROLLA IX (_E12_) 07.01-05.07</b>						<b>MPV (Compact MPV-M1 Segment)</b>			
1.6 VVT-i (ZZE121_, ZZE121R) (3ZZ-FE)		Gasolina	FWD	1598	81	110	08.01-05.04	■	
1.8 VVT-i (ZZE122_, ZZE122R) (1ZZ-FE)		Gasolina	FWD	1794	99	135	12.01-05.04	■	
2.0 D-4D (CDE120_, CDE120R) (1CD-FTV)		Diesel	FWD	1995	66	90	01.02-05.04	■	
<b>COROLLA IX / ALTIS / AXIO-ALTIS (_E12_) 08.00-12.08</b>						<b>Saloon (Compact executive car-D Segment)</b>			
1.4 VVT-i (ZZE120_, ZZE120R) (4ZZ-FE)		Gasolina	FWD	1398	71	97	10.01-10.06	■	
1.5 (NZE121, NZE120, ZZE123, ZZA120) (1NZ-FE)		Gasolina	FWD	1497	78	106	10.01-10.07	■	
1.5 (NZE121) (1NZ-FE)		Gasolina	FWD	1497	80	109	11.01-07.07	■	
1.6 VVT-i (ZZE121_, ZZE121R) (3ZZ-FE)	Japan	Gasolina	FWD	1598	81	110	10.01-03.08	■	
1.8 (ZZE122) (1ZZ-FE)	disc brak.rear axle	Gasolina	FWD	1794	92	125	05.02-05.04	■	
1.8 (ZZE122) (1ZZ-FE)	disc brak.rear axle	Gasolina	FWD	1794	96	131	03.01-07.05	■	
1.8 (ZZE130)	disc brak.rear axle	Gasolina	FWD	1794	97	132	09.02-12.05	■	
1.8 (ZZE122) (1ZZ-FE)	disc brak.rear axle	Gasolina	FWD	1794	100	136	11.01-10.06	■	
1.8 (ZZE131) (2ZZ-GE)		Gasolina	FWD	1795	127	173	09.04-12.06	■	
<b>COROLLA IX / RUNX (_E12_) 01.01-04.08</b>						<b>Hatchback (Compact executive car-D Segment)</b>			
1.4 VVT-i (ZZE120_, ZZE120R) (4ZZ-FE)	Japan	Gasolina	FWD	1398	71	97	11.01-02.07	■	
1.5 RUNX VVT-i (NZE121) (1NZ-FE)		Gasolina	FWD	1497	81	110	01.01-08.06	■	
1.6 VVT-i (ZZE121_, ZZE121R) (3ZZ-FE)	Japan	Gasolina	FWD	1598	81	110	01.02-12.06	■	
1.8 (ZZE122_) (1ZZ-FE)		Gasolina	FWD	1794	93	126	10.05-12.07	■	
1.8 VVTi (ZZE122_, ZZE122R) (1ZZ-FE)		Gasolina	FWD	1794	100	136	01.01-12.07	■	
1.8	01/01-	Gasolina	FWD	1795	141	192	01.01-	■	
1.8 VVTL-i TS (ZZE123) (2ZZ-GE)	Japan	Gasolina	FWD	1796	141	192	11.01-02.07	■	
1.8 VVTL-i TS (ZZE123_, ZZE123R) (2ZZ-GE)	Japan	Gasolina	FWD	1796	160	218	10.05-12.06	■	
1.8 VVTL-i TS (ZZE123_, ZZE123R) (2ZZ-GE)	Japan	Gasolina	FWD	1796	165	224	02.05-02.07	■	
<b>COROLLA V Compact (E8B) 08.84-05.88</b>						<b>Hatchback (Supermini car-B Segment)</b>			
1.8 16V ABS	01/03-	Gasolina	FWD	1795			08.84-	■	
1.8 XRS 16V ABS	01/03-	Gasolina	FWD	1795			08.84-	■	
<b>COROLLA VIII (_E11_) 04.97-10.01</b>						<b>Estate (Compact executive car-D Segment)</b>			
2.0 D4d GS		Diesel	RWD	1995	81	110	08.00-10.01	■	
<b>COROLLA VIII (_E11_) 05.95-02.03</b>						<b>Saloon (Compact executive car-D Segment)</b>			
2.0 D-4D		Diesel	RWD	1995	81	110	08.00-10.01	■	
<b>ECHO (_P1_) 03.99-10.05</b>						<b>Hatchback (Supermini car-B Segment)</b>			
1.0 (SCP10_)		Gasolina	FWD	998	50	68	03.99-08.05	■	
1.3 (SCP12_)		Gasolina	FWD	1298	64	87	04.03-08.05	■	
1.3 (NCP10_)		Gasolina	FWD	1299	63	86	08.99-03.03	■	
1.5 (NCP13_)		Gasolina	FWD	1497	78	106	12.02-08.05	■	
<b>ECHO (_P1_) 08.99-01.06</b>						<b>Saloon (Supermini car-B Segment)</b>			
1.5 (NCP12_, NCP12R) (1NZ-FE)		Gasolina	FWD	1497	78	106	08.99-08.05	■	
1.5 (NCP12_) (1NZ-FE)		Gasolina	FWD	1497	81	110	08.99-12.05	■	
<b>IST / XA (NCP6_) 04.02-07.07</b>						<b>Hatchback (Supermini car-B Segment)</b>			
1.5 VVTi (NCP61_, NCP61) (1NZ-FE)		Gasolina	FWD	1497	80	109	05.04-07.07	■	
1.5 VVTi (NCP65)		Gasolina	FWD	1497	80	109	05.02-06.07	■	
<b>MATRIX / VOLTZ (_E13_) 01.02-12.07</b>						<b>Hatchback (Large MPV-M1 Segment)</b>			
1.8 (ZZE13_) (1ZZ-FE)		Gasolina	FWD	1794	91	124	01.02-12.07	■	
1.8 4WD (ZZE138) (1ZZ-FE)		Gasolina	4WD	1794	91	124	01.02-02.04	■	
1.8 VVTi (ZZE136) (1ZZ-FE)		Gasolina	FWD	1794	96	131	01.02-02.04	■	

# LISTA DE APLICACIONES - BUYERS GUIDE

1.8 VVTi (ZZE132, ZZE134) (1ZZ-FE)		Gasolina	FWD	1794	97	132	09.02-12.05	■	
1.8 16V 4WD	01/03-	Gasolina	FWD	1795			01.02-	■	
1.8 XRS 16V ABS	01/03-	Gasolina	FWD	1795			01.02-	■	
1.8 (ZZE133_)		Gasolina	FWD	1795	130	177	09.02-12.06	■	
1.8 (ZZE133_) (2ZZ-GE)		Gasolina	FWD	1796	122	166	01.03-12.06	■	
1.8 (2ZZ-GE)		Gasolina	FWD	1796	134	182	01.02-12.05	■	
<b>PLATZ (NCP1_, SCP1_) 04.99-10.05</b>					<b>Saloon (Supermini car-B Segment)</b>				
1.0 (SCP11_, SCP11) (1SZ-FE)		Gasolina	FWD	998	50	68	04.99-08.05	■	
1.3 (NCP10_, NCP10) (2NZ-FE)		Gasolina	FWD	1299	63	86	08.99-08.05	■	
1.3 (NCP16_)		Gasolina	FWD	1299	63	86	08.99-08.05	■	
1.5 (NCP12_, NCP12) (1NZ-FE)		Gasolina	FWD	1497	78	106	04.99-08.05	■	
1.5 (NCP13_)		Gasolina	FWD	1497	78	106	09.02-08.05	■	
<b>PRIUS (_W1_) 12.97-08.00</b>					<b>Saloon (Compact car-C Segment)</b>				
1.5 Hybrid (NHW10) (1NZ-FXE)		Gasol./el éc.	FWD	1497	43	58	12.97-08.00	■	
1.5 Hybrid (NHW1_) (1NZ-FXE)	-12/03	Gasol./el éc.	FWD	1497	53	72	05.00-01.04	■	
1.5 Hybrid (NHW11)		Gasol./el éc.	FWD	1497	85	116	09.00-12.03	■	
<b>PRIUS II (_W2_) 09.03-01.10</b>					<b>Hatchback (Executive car-E Segment)</b>				
1.5 Hybrid (NHW20_, NHW20R) (1NZ-FXE)	-12/08, Europe	Gasol./el éc.	FWD	1497	82	112	09.03-12.09	■	
1.5 Hybrid (NHW2_)	Europe, disc brak.rear axle	Gasol./el éc.	FWD	1497	83	113	09.03-03.09	■	
<b>SOLUNA VIOS (_P4_) 07.02-08.13</b>					<b>Saloon (Supermini car-B Segment)</b>				
1.5 (NCP42_)		Gasolina	FWD	1497	81	110	12.02-08.13	■	
<b>VIOS / SOLUNA VIOS / YARIS / BELTA (_P4_) 07.02-08.13</b>					<b>Saloon (Supermini car-B Segment)</b>				
1.5 VVTi (NCP42_) (1NZ-FE)		Gasolina	FWD	1497	68	92	10.02-10.06	■	
1.5 VVTi (NCP42_, NCP42R) (1NZ-FE)		Gasolina	FWD	1497	80	109	10.02-10.06	■	
<b>VOLTZ (_E13_) 06.01-11.04</b>					<b>Hatchback (Compact car-C Segment)</b>				
1.8 (ZZE136) (1ZZ-FE)	01/05-	Gasolina	FWD	1794	97	132	09.01-11.04	■	
<b>Will VS (_E12_) 03.01-04.04</b>					<b>Hatchback (Compact car-C Segment)</b>				
1.5 VVTi (NZE127) (1NZ-FE)		Gasolina	FWD	1497	81	110	03.01-04.04	■	
1.8 VVTi		Gasolina	FWD	1794	100	136	03.01-04.04	■	
1.8 VVTi		Gasolina	FWD	1794	100	136	03.01-04.04	■	
1.8 VVTi GT		Gasolina	FWD	1794	140	190	03.01-04.04	■	
<b>YARIS VERSO / ECHO VERSO / FUN CARGO (_P2_) 03.00-09.05</b>					<b>Hatchback Van (Mini MPV-M1 Segment)</b>				
1.3 VVTi (NCP22_) (2NZ-FE)	disc brak.rear axle	Gasolina	FWD	1299	62	84	04.03-09.05	■	
1.3 VVTi (NCP22_) (2NZ-FE)	disc brak.rear axle	Gasolina	FWD	1299	63	86	03.00-09.05	■	
1.5 VVTi (NCP21_) (1NZ-FE)	disc brak.rear axle	Gasolina	FWD	1497	78	106	03.00-03.03	■	
1.4 D4d (NLP22_) (1ND-TV)	disc brak.rear axle	Diesel	FWD	1364	55	75	10.01-09.05	■	
<b>YARIS VERSO / ECHO VERSO / FUN CARGO (_P2_) 08.99-09.05</b>					<b>MPV (Mini MPV-M1 Segment)</b>				
1.3 (NCP20_, NCP22_, NCP20R, NCP22R) (2NZ-FE)	disc brak.rear axle	Gasolina	FWD	1299	62	84	11.02-09.05	■	
1.3 (NCP20_, NCP22_, NCP20R, NCP22R) (2NZ-FE)	disc brak.rear axle	Gasolina	FWD	1299	63	86	08.99-10.02	■	
1.5 (NCP21_) (1NZ-FE)	disc brak.rear axle	Gasolina	FWD	1497	77	105	03.00-09.05	■	
1.5 (NCP21_) (1NZ-FE)	disc brak.rear axle	Gasolina	FWD	1497	78	106	03.00-09.05	■	
1.5 4WD (NCP25) (1NZ-FE)		Gasolina	4WD	1497	78	106	03.00-09.05	■	
1.5 (NCP21)	disc brak.rear axle	Gasolina	FWD	1497	80	109	08.02-09.05	■	
1.5 (NCP21)	disc brak.rear axle	Gasolina	FWD	1497	81	110	01.00-07.02	■	

# LISTA DE APLICACIONES - BUYERS GUIDE

1.4 D-4D (NLP20_, NLP22_) (1ND-TV)	disc brak.rear axle	Diesel	FWD	1364	55	75	09.00-09.05	■	
<b>YARIS / ECHO / VITZ (_P1_) 01.99-12.05</b>					<b>Hatchback (Supermini car-B Segment)</b>				
1.0 (SCP10_, SCP10R) (1SZ-FE)	disc brak.rear axle	Gasolina	FWD	998	48	65	03.03-09.05	■	
1.0 (SCP10_, SCP10R) (1SZ-FE)	disc brak.rear axle	Gasolina	FWD	998	50	68	04.99-09.05	■	
1.3 (SCP12_, SCP13_, SCP12R, SCP13R) (2SZ-FE)	-12/03, disc brak.rear axle	Gasolina	FWD	1298	64	87	04.02-09.05	■	
1.3		Gasolina	FWD	1299	57	76	09.03-12.04	■	
1.3 (NCP10, SCP12_) (2NZ-FE)	disc brak.rear axle	Gasolina	FWD	1299	63	86	08.99-11.05	■	
1.5 (NCP13_, NCP13R) (1NZ-FE)		Gasolina	FWD	1497	77	105	01.03-11.05	■	
1.5 (NCP13_, NCP13R) (1NZ-FE)		Gasolina	FWD	1497	78	106	04.01-09.05	■	
1.5 (NCP13_, NCP13R) (1NZ-FE)		Gasolina	FWD	1497	110	150	03.00-07.05	■	
1.4 D-4D (NLP10_, NLP10R) (1ND-TV)	01/03-, disc brak.rear axle	Diesel	FWD	1364	55	75	10.01-09.05	■	
1.4 D-4D	disc brak.rear axle	Diesel	RWD	1364	66	90	02.03-10.05	■	