

LISTA DE APLICACIONES - BUYERS GUIDE

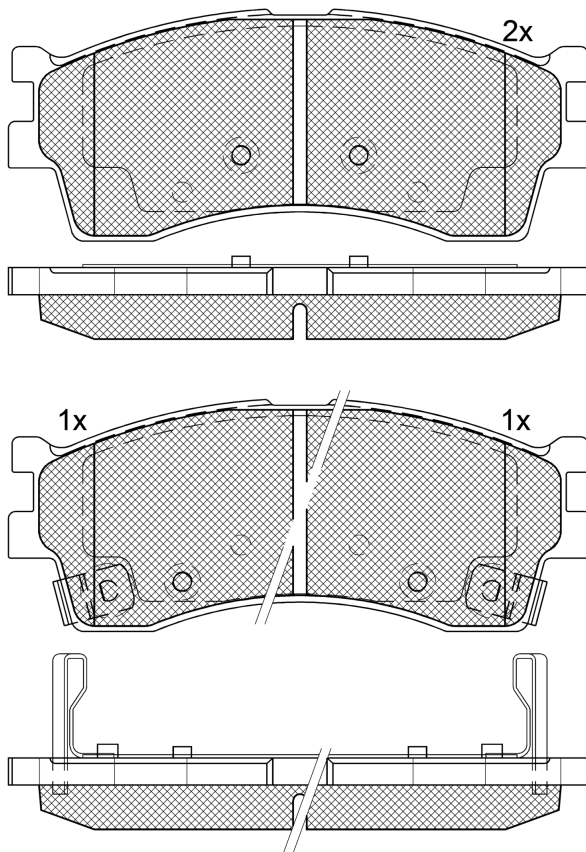
181610



Qty: 300

Weight: 1.480

O.E.M.	MAKE
0K2N1-33-28Z	KIA
0K2N1-33-28ZA	KIA
0K9B3-33-28Z	KIA
0K9B6-33-28Z	KIA
0K9D0-33-23Z	KIA
0K9D0-33-28Z	KIA
58115-FDB00	KIA
58115-FDC00	KIA



181610

90R-01111/1114



Sumitomo

129x51.3x16.5

WVA	FMSI
23873	D889-7767
23874	
23875	

MAKE
KIA



Trac.	CC	Kw	CV
-------	----	----	----



Front / Rear

KIA

CARENS (FC, FJ) 09.98-05.07

MPV (Compact MPV-M1 Segment)

Model	Year	Fuel	Trac.	CC	Kw	CV	Period	Status
1.8 i (T8)		Gasolina	FWD	1793	81	110	11.00-07.02	■
1.8 i 16V		Gasolina	FWD	1793	81	110	03.00-05.02	■
1.8 (TB)		Gasolina	FWD	1793	93	126	07.02-08.06	■
1.8 i (TB)		Gasolina	FWD	1793	93	126	03.00-08.06	■
1.8 i		Gasolina	FWD	1793	96	130	06.99-02.02	■
2.0 GSX		Gasolina	FWD	1975	100	136	10.01-06.02	■

CERATO / SPECTRA (LD) 03.04-

Hatchback (Compact car-C Segment)

1.6	01/01-	Gasolina	FWD	1595	74	101	03.04-	■
1.6 ABS	01/01-	Gasolina	FWD	1595	74	101	03.04-	■

CERATO / SPECTRA (FB) 06.00-12.04

Saloon (Compact car-C Segment)

1.6		Gasolina	FWD	1594	75	102	04.04-12.09	■
1.8 (T8)		Gasolina	FWD	1793	85	116	10.01-07.04	■

CLARUS (GC) 06.97-10.00

Estate (Large family car-D Segment)

1.8 i 16V (T8)	01/99-	Gasolina	FWD	1793	85	116	05.98-10.00	■
2.0 i 16V (FE (16V))	-12/99	Gasolina	FWD	1998	98	133	05.98-10.00	■

CLARUS / CREDOS (K9A) 10.95-11.01

Saloon (Large family car-D Segment)

1.8 i 16V (T8)	01/99-	Gasolina	FWD	1793	85	116	07.96-08.01	■
1.8 i 16V	01/99-	Gasolina	FWD	1795	85	116	10.95-	■
1.8 i 16V ABS	01/99-	Gasolina	FWD	1795	85	116	10.95-	■
2.0 i 16V	01/96-	Gasolina	FWD	1995	98	133	10.95-	■
2.0 i 16V (FE (16V))	-12/99	Gasolina	FWD	1998	98	133	07.96-11.01	■

LISTA DE APLICACIONES - BUYERS GUIDE

ELAN (DB63) 03.96-11.99					Convertible (Sports car-S Segment)			
1.8		Gasolina	FWD	1793	103	140	03.96-11.99	■
RIO (DC) 07.00-04.06					Hatchback (Supermini car-B Segment)			
1.3 (A3E)	01/02-	Gasolina	FWD	1343	55	75	08.00-02.05	■
1.3 (A3E)	01/02-	Gasolina	FWD	1343	60	82	08.00-02.05	■
1.5 16V (A5D)		Gasolina	FWD	1493	71	97	09.02-02.05	■
1.5 16V (A5D)	01/02-	Gasolina	FWD	1493	72	98	08.00-02.05	■
1.6 16V	01/03-	Gasolina	FWD	1595			07.00-	■
RIO (DC_) 07.00-04.06					Saloon (Supermini car-B Segment)			
1.3 (A3E)		Gasolina	FWD	1343	55	75	09.00-02.05	■
1.3 (A3E)		Gasolina	FWD	1343	60	82	08.02-02.05	■
1.5 (A5D)		Gasolina	FWD	1493	70	95	09.02-02.05	■
1.5 16V (A5D)		Gasolina	FWD	1493	71	97	09.02-02.05	■
1.5 16V (A5D)	01/02-	Gasolina	FWD	1493	72	98	09.00-02.05	■
1.6 16V	01/03-	Gasolina	FWD	1595			07.00-	■
ROADSTER (DB63) 08.99-					Convertible (Compact car-C Segment)			
1.8		Gasolina	FWD	1793	100	136	08.99-	■
SEPHIA / MENTOR (FA) 01.95-10.97					Hatchback (Compact car-C Segment)			
1.6 i (B6)		Gasolina	FWD	1598	59	80	01.95-10.97	■
SEPHIA / MENTOR (FA) 01.92-09.01					Saloon (Compact car-C Segment)			
1.6 i (B6)		Gasolina	FWD	1598	59	80	09.93-10.97	■
SHUMA / MENTOR / SEPHIA (FB) 09.96-02.02					Hatchback (Compact car-C Segment)			
1.6 (GA6D)		Gasolina	FWD	1594	75	101	01.01-12.01	■
1.8 i 16V (T8)		Gasolina	FWD	1793	81	110	10.97-03.01	■
1.8 i 16V (TED)		Gasolina	FWD	1793	81	110	10.97-03.01	■
SHUMA II / SPECTRA (FB) 05.01-12.07					Hatchback (Compact car-C Segment)			
1.6 (GA6D)		Gasolina	FWD	1594	75	101	05.01-08.04	■
1.8 (AFB243) (T8)	01/03-	Gasolina	FWD	1793	81	110	05.01-06.04	■
1.8 (T8)		Gasolina	FWD	1793	84	114	04.03-08.04	■
SHUMA II / SPECTRA (FB) 05.01-05.04					Saloon (Compact car-C Segment)			
1.6 (GA6D)	01/04-	Gasolina	FWD	1594	75	101	05.01-05.04	■
1.6	01/01-	Gasolina	FWD	1595	74	101	05.01-	■
1.6 ABS	01/01-	Gasolina	FWD	1595	74	101	05.01-	■