

# LISTA DE APLICACIONES - BUYERS GUIDE

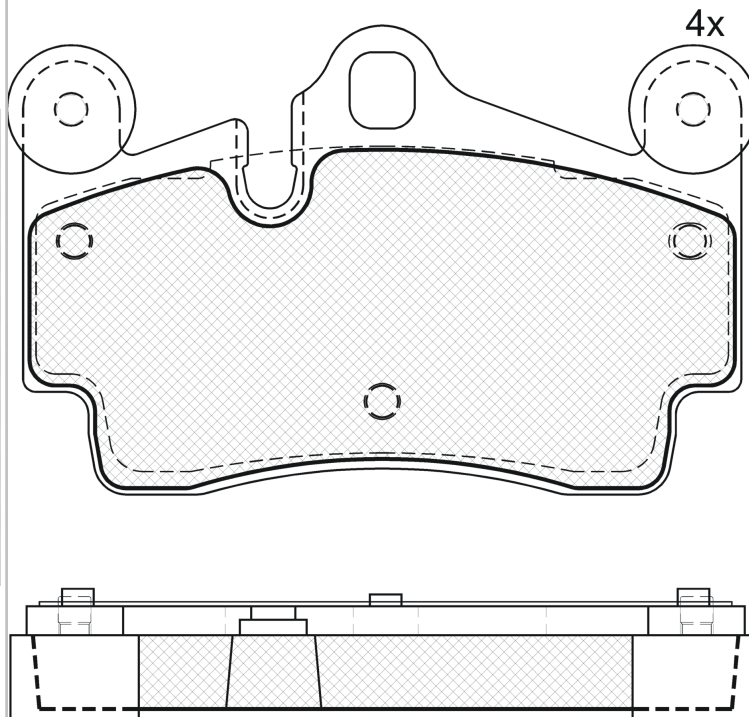
## 181611



Qty: 944

Weight: 1.776

O.E.M.	MAKE
4L0 698 451 D	VW
7L0 615 415 B	VW
7L0 698 451	VW
7L0 698 451 A	VW
7L0 698 451 B	VW
7L0 698 451 G	VW
7L0 698 451 H	VW
7L5 698 451 B	VW
7L6 698 451 A	VW
7L6 698 451 D	VW
955 352 939 00	PORSCHE
955 352 939 01	PORSCHE
955 352 939 02	PORSCHE
955 352 939 03	PORSCHE
955 352 939 05	PORSCHE
955 352 939 06	PORSCHE
955 352 939 10	PORSCHE



## 181611

**E 9** 90R-01110/1234



Brembo

117.03x73.1x16.7

WVA	FMSI
23694	D978-7879
MAKE	
AUDI	
PORSCHE	
VW	



Trac.	CC	Kw	CV



Front / Rear

### AUDI

Q7 (4LB) 03.06-01.16						SUV Van (Luxury Crossover SUV-J Segment)			
3.0 TFSI quattro	PR 1KF, PR 2EA	Gasolina	4WD	2995	245	333	05.10-08.15	■	
3.6 FSI quattro	PR 1KF, PR 2EA	Gasolina	4WD	3597	206	280	08.06-05.10	■	
4.2 FSI quattro		Gasolina	4WD	4163	257	350	08.06-05.10	■	
3.0 TDI quattro	PR 1KF, PR 2EA	Diesel	4WD	2967	150	204	11.10-08.15	■	
3.0 TDI quattro	PR 1KF, PR 2EA	Diesel	4WD	2967	155	211	03.06-05.10	■	
3.0 TDI quattro	PR 1KF, PR 2EA	Diesel	4WD	2967	171	232	03.06-05.08	■	
3.0 TDI quattro	PR 1KF, PR 2EA	Diesel	4WD	2967	176	240	11.07-05.12	■	
3.0 TDI quattro	PR 1KF, PR 2EA	Diesel	4WD	2967	180	245	05.11-08.15	■	
4.2 TDI quattro		Diesel	4WD	4134	240	326	03.07-06.09	■	
4.2 TDI quattro	PR 1KF	Diesel	4WD	4134	250	340	03.07-08.15	■	
6.0 TDI quattro	PR 1KF	Diesel	4WD	5934	368	500	09.08-05.14	■	

Q7 (4LB) 03.06-01.16						SUV (Luxury Crossover SUV-J Segment)			
3.0 TFSI quattro (CJTC)	PR 1KF, PR 2EA	Gasolina	4WD	2995	200	272	05.10-08.15	■	
3.0 TFSI quattro (CJWC)	PR 1KF, PR 2EA	Gasolina	4WD	2995	200	272	05.10-08.15	■	
3.0 TFSI quattro (CJWE)	PR 1KF, PR 2EA	Gasolina	4WD	2995	206	280	05.11-08.15	■	
3.0 TFSI quattro (CTWB)	PR 1KF, PR 2EA	Gasolina	4WD	2995	206	280	05.11-08.15	■	
3.0 TFSI quattro (CJTb)	PR 1KF, PR 2EA	Gasolina	4WD	2995	245	333	05.10-08.15	■	
3.0 TFSI quattro (CJWB)	PR 1KF, PR 2EA	Gasolina	4WD	2995	245	333	05.10-08.15	■	
3.0 TFSI quattro (CNAa)	PR 1KF, PR 2EA	Gasolina	4WD	2995	245	333	05.10-08.15	■	
3.0 TFSI quattro (CTWA)	PR 1KF, PR 2EA	Gasolina	4WD	2995	245	333	05.10-08.15	■	
3.6 FSI quattro (BHK)	PR 1KF, PR 2EA	Gasolina	4WD	3597	206	280	08.06-05.10	■	
4.2 quattro (BAR)		Gasolina	4WD	4163	231	314	03.06-12.10	■	

# LISTA DE APLICACIONES - BUYERS GUIDE

4.2 FSI quattro (BAR)	PR 1KF, PR 2EA	Gasolina	4WD	4163	257	350	03.06-05.10	■
3.0 TDI quattro (CJGC)	PR 1KF, PR 2EA	Diesel	4WD	2967	150	204	05.10-08.15	■
3.0 TDI quattro (CJMA)	PR 1KF, PR 2EA	Diesel	4WD	2967	150	204	05.10-08.15	■
3.0 TDI quattro (BUN)	PR 1KF, PR 2EA	Diesel	4WD	2967	155	211	03.06-05.10	■
3.0 TDI quattro (CASB)	PR 1KF, PR 2EA	Diesel	4WD	2967	155	211	03.06-05.10	■
3.0 TDI quattro (CATA)		Diesel	4WD	2967	165	224	06.09-05.12	■
3.0 TDI quattro (BUG)	PR 1KF, PR 2EA	Diesel	4WD	2967	171	233	03.06-05.08	■
3.0 TDI quattro (CASA)	PR 1KF, PR 2EA	Diesel	4WD	2967	176	240	11.07-08.15	■
3.0 TDI quattro (CCMA)	PR 1KF, PR 2EA	Diesel	4WD	2967	176	240	11.07-08.15	■
3.0 TDI quattro (CJGA)	PR 1KF, PR 2EA	Diesel	4WD	2967	176	240	11.07-08.15	■
3.0 TDI quattro (CNRB)	PR 1KF, PR 2EA	Diesel	4WD	2967	176	240	11.07-08.15	■
3.0 TDI quattro (CJGD)	PR 1KF, PR 2EA	Diesel	4WD	2967	180	245	05.11-08.15	■
3.0 TDI quattro (CLZB)	PR 1KF, PR 2EA	Diesel	4WD	2967	180	245	05.11-08.15	■
3.0 TDI quattro (CRCA)	PR 1KF, PR 2EA	Diesel	4WD	2967	180	245	05.11-08.15	■
4.2 TDI quattro (BTR)	PR 1KF, PR 2EA	Diesel	4WD	4134	240	326	03.07-06.09	■
4.2 TDI quattro (CCFA)	PR 1KF	Diesel	4WD	4134	250	340	05.09-08.15	■
4.2 TDI quattro (CCFC)	PR 1KF	Diesel	4WD	4134	250	340	05.09-08.15	■
6.0 TDI quattro (CCGA)	PR 1KF	Diesel	4WD	5934	368	500	09.08-05.14	■

## PORSCHE

<b>CAYENNE I (9PA) 05.02-12.10</b>				<b>SUV (Luxury Crossover SUV-J Segment)</b>				
3.2 (M02.2Y)		Gasolina	4WD	3189	177	241	08.03-09.07	■
3.2 (M02.2Y)	01/05-, -12/06, Rim 18	Gasolina	4WD	3189	184	250	10.03-09.07	■
3.6 (M 55.01)	-01/09, Rim 17	Gasolina	4WD	3598	213	290	02.07-09.10	■
S 4.5 (M 48.00)		Gasolina	4WD	4511	250	340	09.02-09.07	■
Turbo 4.5 (M 48.50)	12/05-, -12/06, Rim 18	Gasolina	4WD	4511	331	450	09.02-09.07	■
Turbo S 4.5 (M 48.50T)	01/07-	Gasolina	4WD	4511	383	521	05.02-05.06	■
S 4.8 (M 48.01)	-12/09, Rim 17	Gasolina	4WD	4806	283	385	02.07-09.10	■
GTS 4.8 (M 48.01)		Gasolina	4WD	4806	298	405	10.07-09.10	■
Turbo S 4.8 (M 48.51)		Gasolina	4WD	4806	368	500	02.07-09.10	■
3.0 TDI (M 05.9D)	-12/09, Rim 17	Diesel	4WD	2967	176	240	02.09-09.10	■

## VW

<b>TOUAREG (7LA, 7L6, 7L7) 10.02-12.13</b>				<b>SUV (Luxury Crossover SUV-J Segment)</b>				
3.2 V6 (AZZ)	-12/05, PR 1KF	Gasolina	4WD	3189	162	220	10.02-11.06	■
3.2 V6 (BAA)	-12/05, PR 1KF	Gasolina	4WD	3189	162	220	10.02-11.06	■
3.2 V6 (BKJ)	-12/05, PR 1KF	Gasolina	4WD	3189	162	220	10.02-11.06	■
3.2 V6 (BMV)	-12/05, PR 1KF	Gasolina	4WD	3189	162	220	10.02-11.06	■
3.2 V6 (BMX)	-12/05, PR 1KF	Gasolina	4WD	3189	162	220	10.02-11.06	■
3.2 V6 (BRJ)	-12/05, PR 1KF	Gasolina	4WD	3189	162	220	10.02-11.06	■
3.2 V6 (BMV)	-12/05, PR 1KF	Gasolina	4WD	3189	177	241	11.04-11.06	■
3.6 V6 FSI (BHK)	01/06-, PR 1KF	Gasolina	4WD	3597	206	280	10.05-05.10	■
3.6 V6 FSI (BHL)	01/06-, PR 1KF	Gasolina	4WD	3597	206	280	10.05-05.10	■
4.2 V8 FSI (BAR)	-03/10, PR 1KF	Gasolina	4WD	4163	257	350	06.06-05.10	■
4.2 V8 (AXQ)	-12/05, PR 1KF	Gasolina	4WD	4172	228	310	12.02-11.06	■
6.0 W12 (BJN)	01/05-, PR 1KF	Gasolina	4WD	5998	331	450	08.04-05.10	■
6.0 W12 (CFRA)	01/05-, PR 1KF	Gasolina	4WD	5998	331	450	08.04-05.10	■
2.5 R5 TDI (BLK)		Diesel	4WD	2461	120	163	08.03-05.10	■
2.5 R5 TDI (BPD)		Diesel	4WD	2461	120	163	08.03-05.10	■
2.5 R5 TDI (BAC)	-03/10, PR 1KF	Diesel	4WD	2461	128	174	01.03-05.10	■
2.5 R5 TDI (BPE)	-03/10, PR 1KF	Diesel	4WD	2461	128	174	01.03-05.10	■
3.0 TDI (BUN)		Diesel	4WD	2967	155	211	04.06-05.10	■

## LISTA DE APLICACIONES - BUYERS GUIDE

3.0 TDI (CASB)		Diesel	4WD	2967	155	211	04.06-05.10	■
3.0 V6 TDI (BKS)	-03/10, PR 1KF	Diesel	4WD	2967	165	225	11.04-05.10	■
3.0 V6 TDI (CATA)	-03/10, PR 1KF	Diesel	4WD	2967	165	225	11.04-05.10	■
3.0 V6 TDI (CASA)	-03/10, PR 1KF	Diesel	4WD	2967	176	240	11.07-05.10	■
3.0 V6 TDI (CASC)	-03/10, PR 1KF	Diesel	4WD	2967	176	240	11.07-05.10	■
5.0 V10 TDI (AYH)	-03/10, PR 1KF	Diesel	4WD	4921	230	313	10.02-05.10	■
5.0 V10 TDI (BKW)	-03/10, PR 1KF	Diesel	4WD	4921	230	313	10.02-05.10	■
5.0 V10 TDI (BLE)	-03/10, PR 1KF	Diesel	4WD	4921	230	313	10.02-05.10	■
5.0 V10 TDI (BWF)	-03/10, PR 1KF	Diesel	4WD	4921	230	313	10.02-05.10	■
5.0 R50 TDI (CBWA)	-03/10, PR 1KF	Diesel	4WD	4921	257	350	08.07-05.10	■