

LISTA DE APLICACIONES - BUYERS GUIDE

181611-203

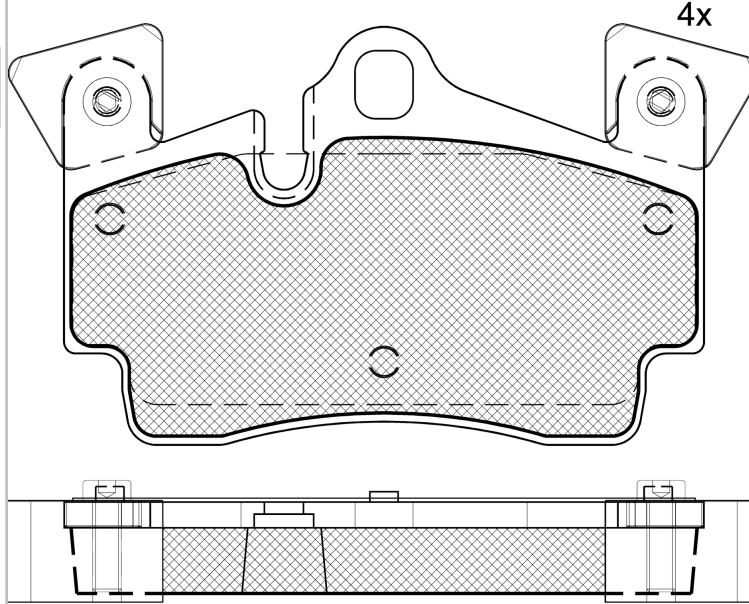


8 424073 109682

Qty: 944

Weight: 1.955

O.E.M.	MAKE
7L5 698 451	VW
955 352 939 50	PORSCHE



181611-203

E 9 90R-02A0110/4187



Brembo

131.38x73.15x16.7

WVA	FMSI
24010	D978-7908
MAKE	
AUDI	
PORSCHE	



Trac.	CC	Kw	CV
-------	----	----	----



Front / Rear

AUDI

Q7 (4LB) 03.06-01.16						SUV Van (Luxury Crossover SUV-J Segment)			
3.6 FSI quattro	PR 2EA	Gasolina	4WD	3597	206	280	08.06-05.10		■
4.2 FSI quattro	Rim 19, not ceramic brakes, PR 2EA	Gasolina	4WD	4163	257	350	08.06-05.10		■
3.0 TDI quattro	PR 2EA	Diesel	4WD	2967	155	211	03.06-05.10		■
3.0 TDI quattro	PR 2EA	Diesel	4WD	2967	171	232	03.06-05.08		■
3.0 TDI quattro	PR 2EA	Diesel	4WD	2967	176	240	11.07-05.12		■
4.2 TDI quattro	Rim 19, not ceramic brakes, PR 2EA	Diesel	4WD	4134	240	326	03.07-06.09		■
4.2 TDI quattro	PR 2EA	Diesel	4WD	4134	250	340	03.07-08.15		■
6.0 TDI quattro	PR 2EA	Diesel	4WD	5934	368	500	09.08-05.14		■
Q7 (4LB) 03.06-01.16						SUV (Luxury Crossover SUV-J Segment)			
3.6 FSI quattro (BHK)		Gasolina	4WD	3597	206	280	08.06-05.10		■
4.2 quattro (BAR)		Gasolina	4WD	4163	231	314	03.06-12.10		■
4.2 FSI quattro (BAR)	Rim 19, not ceramic brakes	Gasolina	4WD	4163	257	350	03.06-05.10		■
3.0 TDI quattro (BUN)		Diesel	4WD	2967	155	211	03.06-05.10		■
3.0 TDI quattro (CASB)		Diesel	4WD	2967	155	211	03.06-05.10		■
3.0 TDI quattro (CATA)		Diesel	4WD	2967	165	224	06.09-05.12		■
3.0 TDI quattro (BUG)		Diesel	4WD	2967	171	233	03.06-05.08		■
3.0 TDI quattro (CASA)		Diesel	4WD	2967	176	240	11.07-08.15		■
3.0 TDI quattro (CCMA)		Diesel	4WD	2967	176	240	11.07-08.15		■
3.0 TDI quattro (CJGA)		Diesel	4WD	2967	176	240	11.07-08.15		■
3.0 TDI quattro (CNRB)		Diesel	4WD	2967	176	240	11.07-08.15		■
4.2 TDI quattro (BTR)	Rim 19, not ceramic brakes	Diesel	4WD	4134	240	326	03.07-06.09		■

LISTA DE APLICACIONES - BUYERS GUIDE

4.2 TDI quattro (CCFA)		Diesel	4WD	4134	250	340	05.09-08.15	■	
4.2 TDI quattro (CCFC)		Diesel	4WD	4134	250	340	05.09-08.15	■	
6.0 TDI quattro (CCGA)		Diesel	4WD	5934	368	500	09.08-05.14	■	
PORSCHE									
CAYENNE I (9PA) 05.02-12.10						SUV (Luxury Crossover SUV-J Segment)			
Turbo 4.5 (M 48.50)	Rim 19, 01/05-	Gasolina	4WD	4511	331	450	09.02-09.07	■	
Turbo S 4.5 (M 48.50S)	Rim 19, discØ 358	Gasolina	4WD	4511	368	500	01.04-09.07	■	
Turbo S 4.5 (M 48.50T)	Rim 19, discØ 358	Gasolina	4WD	4511	383	521	05.02-05.06	■	
Turbo S 4.8 (M 48.51)	Rim 19, discØ 358	Gasolina	4WD	4806	368	500	02.07-09.10	■	
Turbo S 4.8 (M 48.51)	Rim 19, discØ 358	Gasolina	4WD	4806	397	540	02.07-09.10	■	
Turbo S 4.8 (M 48.51)	Rim 19, discØ 358	Gasolina	4WD	4806	404	550	08.08-09.10	■	