

LISTA DE APLICACIONES - BUYERS GUIDE

181617-202

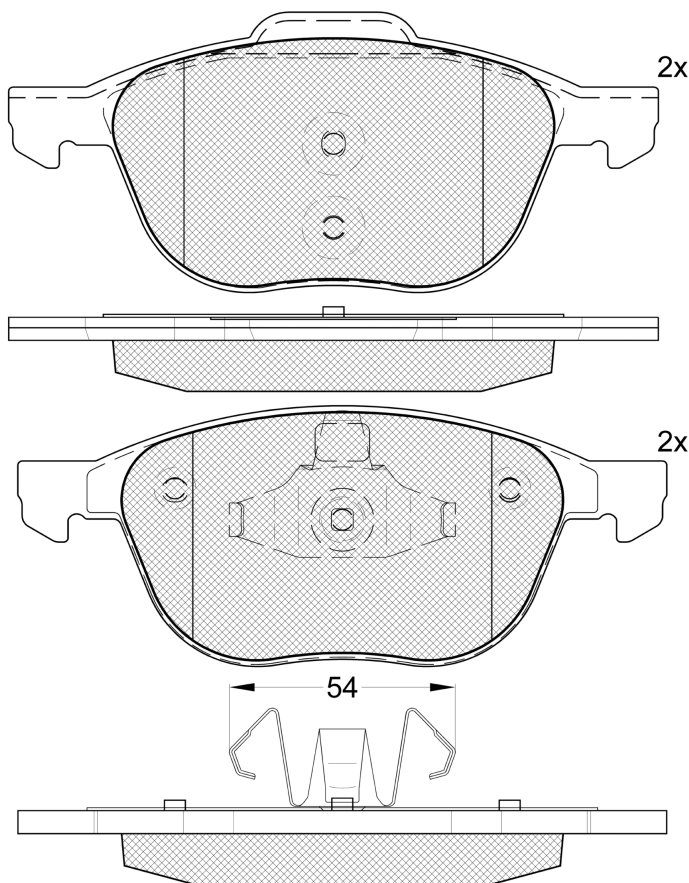


8 424073 107589

Qty: 300

Weight: 1.835

O.E.M.	MAKE
1 360 305	FORD
1 566 093	FORD
1 753 844	FORD
1 797 211	FORD
1 809 256	FORD
2 048 661	FORD
2 188 058	FORD
3M5J-2K021-A1A	FORD
CN1Z-2V001-A	FORD
CV61-2K021-BA	FORD
GN15-2K021-AC	FORD
GN15-2K021-AD	FORD
ME3M5J-2K021-AA	FORD
MEAV6J-2K021-AA	FORD
MECV6J-2K021-AA	FORD



181617-202

E 9 90R-02A0111/3783



Ate - Teves

155.1x62.3x18.4
156.3x67x18.4

WVA	FMSI
20000	D2092-9328
22230	
22812	
23723	
25748	
MAKE	
FORD	
FORD AUSTRALIA	



Trac.	CC	Kw	CV
-------	----	----	----



Front / Rear

FORD

C-MAX (DM2) 02.07-09.10

MPV (Compact MPV-M1 Segment)

Model	Engine	Trac.	CC	Kw	CV	Period	Availability
1.6 (HWDA)	Gasolina	FWD	1596	74	100	02.07-09.10	■
1.6 (HWDB)	Gasolina	FWD	1596	74	100	02.07-09.10	■
1.6 (SHDA)	Gasolina	FWD	1596	74	100	02.07-09.10	■
1.6 (SHDB)	Gasolina	FWD	1596	74	100	02.07-09.10	■
1.6 (SHDC)	Gasolina	FWD	1596	74	100	02.07-09.10	■
1.6 (HXDA)	Gasolina	FWD	1596	85	116	04.07-09.10	■
1.6 (HXDB)	Gasolina	FWD	1596	85	116	04.07-09.10	■
1.6 (SIDA)	Gasolina	FWD	1596	85	116	04.07-09.10	■
1.8 (QQDC)	Gasolina	FWD	1798	90	122	02.07-09.10	■
1.8 (QQDA)	Gasolina	FWD	1798	92	125	02.07-09.10	■
1.8 (QQDB)	Gasolina	FWD	1798	92	125	02.07-09.10	■
2.0 (AODA)	Gasolina	FWD	1999	107	145	02.07-09.10	■
2.0 (AODB)	Gasolina	FWD	1999	107	145	02.07-09.10	■
2.0 (AODE)	Gasolina	FWD	1999	107	145	02.07-09.10	■
2.0 (SYDA)	Gasolina	FWD	1999	107	145	02.07-09.10	■
2.0 LPG (SYDA)	Gasol./Gas (LPG)	FWD	1999	107	145	06.08-09.10	■
2.0 CNG (SYDA)	Gasol./Gas (CNG)	FWD	1999	107	145	04.09-09.10	■
1.8 Flexifuel (Q7DA)	Gasol./Etanol	FWD	1798	92	125	02.07-09.10	■
1.6 TDCi (GPDA)	Diesel	FWD	1560	66	90	02.07-09.10	■
1.6 TDCi (HHDA)	Diesel	FWD	1560	66	90	02.07-09.10	■
1.6 TDCi (HHDB)	Diesel	FWD	1560	66	90	02.07-09.10	■

LISTA DE APLICACIONES - BUYERS GUIDE

1.6 TDCi (G8DC)		Diesel	FWD	1560	74	101	02.07-09.10	■
1.6 TDCi (MTDA)		Diesel	FWD	1560	74	101	02.07-09.10	■
1.6 TDCi (G8DA)		Diesel	FWD	1560	80	109	02.07-09.10	■
1.6 TDCi (G8DB)		Diesel	FWD	1560	80	109	02.07-09.10	■
1.6 TDCi (G8DD)		Diesel	FWD	1560	80	109	02.07-09.10	■
1.8 TDCi (KKDA)		Diesel	FWD	1753	85	115	02.07-09.10	■
1.8 TDCi (KKDB)		Diesel	FWD	1753	85	115	02.07-09.10	■
2.0 TDCi (IXDA)		Diesel	FWD	1997	81	110	02.08-09.10	■
2.0 TDCi (G6DC)		Diesel	FWD	1997	98	133	02.07-09.10	■
2.0 TDCi (G6DE)		Diesel	FWD	1997	98	133	02.07-09.10	■
2.0 TDCi (G6DF)		Diesel	FWD	1997	98	133	02.07-09.10	■
2.0 TDCi (G6DA)		Diesel	FWD	1997	100	136	02.07-09.10	■
2.0 TDCi (G6DB)		Diesel	FWD	1997	100	136	02.07-09.10	■
2.0 TDCi (G6DD)		Diesel	FWD	1997	100	136	02.07-09.10	■
2.0 TDCi (G6DG)		Diesel	FWD	1997	100	136	02.07-09.10	■
C-MAX II 10.10-							Box Body/MPV (LCVs-N1 Segment)	
1.0 EcoBoost (M2DA)		Gasolina	FWD	998	74	100	10.12-06.19	■
1.0 EcoBoost (M2DC)		Gasolina	FWD	998	74	100	10.12-06.19	■
1.0 EcoBoost (B7DA)		Gasolina	FWD	998	92	125	10.12-06.19	■
1.0 EcoBoost (M1DA)		Gasolina	FWD	998	92	125	10.12-06.19	■
1.0 EcoBoost (M1DD)		Gasolina	FWD	998	92	125	10.12-06.19	■
1.5 EcoBoost (M8DB)		Gasolina	FWD	1498	110	150	03.15-06.19	■
1.5 EcoBoost (M9DB)		Gasolina	FWD	1498	134	182	03.15-06.19	■
1.6 Ti		Gasolina	FWD	1596	77	105	10.10-06.19	■
1.6 EcoBoost (JQDA)		Gasolina	FWD	1596	110	150	12.10-06.19	■
1.6 EcoBoost (JQDB)		Gasolina	FWD	1596	110	150	12.10-06.19	■
1.6 EcoBoost		Gasolina	FWD	1596	134	182	12.10-06.19	■
1.5 TDCi ECOnetic (AEDA)		Diesel	FWD	1499	77	105	03.15-06.19	■
1.5 TDCi (XWDA)		Diesel	FWD	1499	88	120	03.15-06.19	■
1.5 TDCi (XWDB)		Diesel	FWD	1499	88	120	03.15-06.19	■
1.5 TDCi (XWDC)		Diesel	FWD	1499	88	120	03.15-06.19	■
1.5 TDCi (XWDD)		Diesel	FWD	1499	88	120	03.15-06.19	■
1.5 TDCi (XWDE)		Diesel	FWD	1499	88	120	03.15-06.19	■
1.6 TDCi (T3DA)		Diesel	FWD	1560	70	95	12.10-06.19	■
1.6 TDCi (T3DB)		Diesel	FWD	1560	70	95	12.10-06.19	■
1.6 TDCi (T1DA)		Diesel	FWD	1560	85	115	12.10-06.19	■
1.6 TDCi (T1DB)		Diesel	FWD	1560	85	115	12.10-06.19	■
2.0 TDCi (TYDA)		Diesel	FWD	1997	85	115	02.11-06.19	■
2.0 TDCi (UFDB)		Diesel	FWD	1997	103	140	02.11-06.19	■
2.0 TDCi (T7DB)		Diesel	FWD	1997	110	150	03.15-06.19	■
2.0 TDCi (T7DC)		Diesel	FWD	1997	110	150	03.15-06.19	■
2.0 TDCi (TXDB)		Diesel	FWD	1997	120	163	12.10-06.19	■
2.0 TDCi (T8DE)		Diesel	FWD	1997	125	170	03.15-06.19	■
C-MAX II (DXA/CB7, DXA/CEU) 04.10-							MPV (Compact MPV-M1 Segment)	
1.0 EcoBoost (M2DA)		Gasolina	FWD	998	74	100	10.12-06.19	■
1.0 EcoBoost (M2DC)		Gasolina	FWD	998	74	100	10.12-06.19	■
1.0 EcoBoost (B7DA)		Gasolina	FWD	998	92	125	10.12-06.19	■
1.0 EcoBoost (M1DA)		Gasolina	FWD	998	92	125	10.12-06.19	■
1.0 EcoBoost (M1DD)		Gasolina	FWD	998	92	125	10.12-06.19	■
1.0 EcoBoost		Gasolina	FWD	999	74	101	07.18-06.19	■
1.0 EcoBoost		Gasolina	FWD	999	92	125	07.18-06.19	■

LISTA DE APLICACIONES - BUYERS GUIDE

1.5 EcoBoost (M8DB)		Gasolina	FWD	1498	110	150	03.15-06.19	■
1.5 EcoBoost (M9DB)		Gasolina	FWD	1498	134	182	03.15-06.19	■
1.6 Ti (XTDA)		Gasolina	FWD	1596	63	85	12.10-06.19	■
1.6 Ti (XTDB)		Gasolina	FWD	1596	63	85	12.10-06.19	■
1.6 Ti (IQDA)		Gasolina	FWD	1596	77	105	12.10-06.19	■
1.6 Ti (IQDB)		Gasolina	FWD	1596	77	105	12.10-06.19	■
1.6 Ti (MUDA)		Gasolina	FWD	1596	88	120	02.12-06.19	■
1.6 Ti (MUDD)		Gasolina	FWD	1596	88	120	02.12-06.19	■
1.6 Ti (PNDA)		Gasolina	FWD	1596	92	125	12.10-06.19	■
1.6 Ti (PNDD)		Gasolina	FWD	1596	92	125	12.10-06.19	■
1.6 EcoBoost (JQDA)		Gasolina	FWD	1596	110	150	12.10-06.19	■
1.6 EcoBoost (JQDB)		Gasolina	FWD	1596	110	150	12.10-06.19	■
1.6 EcoBoost (JTDA)		Gasolina	FWD	1596	134	182	12.10-06.19	■
1.6 EcoBoost (JTDB)		Gasolina	FWD	1596	134	182	12.10-06.19	■
1.6 LPG (MUDA)		Gasol./Gas (LPG)	FWD	1596	86	117	02.12-06.19	■
1.6 LPG (MUDD)		Gasol./Gas (LPG)	FWD	1596	86	117	02.12-06.19	■
1.6 LPG (MUDA)		Gasol./Gas (LPG)	FWD	1596	88	120	02.12-06.19	■
1.6 LPG (MUDD)		Gasol./Gas (LPG)	FWD	1596	88	120	02.12-06.19	■
1.6 CNG (MUDA)		Gasol./Gas (CNG)	FWD	1596	86	117	01.13-12.14	■
1.6 Flexifuel (MUDA)		Gasol./Etanol	FWD	1596	88	120	02.11-06.19	■
1.6 Flexifuel (MUDD)		Gasol./Etanol	FWD	1596	88	120	02.11-06.19	■
1.5 TDCi (XXDA)		Diesel	FWD	1499	70	95	03.15-06.19	■
1.5 TDCi (XXDC)		Diesel	FWD	1499	70	95	03.15-06.19	■
1.5 TDCi (XXDD)		Diesel	FWD	1499	70	95	03.15-06.19	■
1.5 TDCi ECOnetic (AEDA)		Diesel	FWD	1499	77	105	03.15-06.19	■
1.5 TDCi (XWDA)		Diesel	FWD	1499	88	120	03.15-06.19	■
1.5 TDCi (XWDB)		Diesel	FWD	1499	88	120	03.15-06.19	■
1.5 TDCi (XWDC)		Diesel	FWD	1499	88	120	03.15-06.19	■
1.5 TDCi (XWDD)		Diesel	FWD	1499	88	120	03.15-06.19	■
1.5 TDCi (XWDE)		Diesel	FWD	1499	88	120	03.15-06.19	■
1.6 TDCi (T3DA)		Diesel	FWD	1560	70	95	12.10-06.19	■
1.6 TDCi (T3DB)		Diesel	FWD	1560	70	95	12.10-06.19	■
1.6 TDCi (T1DA)		Diesel	FWD	1560	85	115	12.10-06.19	■
1.6 TDCi (T1DB)		Diesel	FWD	1560	85	115	12.10-06.19	■
2.0 TDCi (TYDA)		Diesel	FWD	1997	85	115	02.11-06.19	■
2.0 TDCi (UKDB)		Diesel	FWD	1997	100	136	02.11-06.19	■
2.0 TDCi (UFDB)		Diesel	FWD	1997	103	140	04.10-06.19	■
2.0 TDCi (T7DB)		Diesel	FWD	1997	110	150	03.15-06.19	■
2.0 TDCi (T7DC)		Diesel	FWD	1997	110	150	03.15-06.19	■
2.0 TDCi (T7DD)		Diesel	FWD	1997	110	150	03.15-06.19	■
2.0 TDCi (TXDB)		Diesel	FWD	1997	120	163	12.10-06.19	■
2.0 TDCi (T8DE)		Diesel	FWD	1997	125	170	03.15-06.19	■
ECOSPORT II 09.11-						SUV (Mini SUV-J Segment)		
1.0 EcoBoost		Gasolina	FWD	998	70	95	04.20-	■
1.0 EcoBoost (SFJL)		Gasolina	FWD	998	74	100	04.18-	■
1.0 EcoBoost (M1JC)		Gasolina	FWD	998	92	125	10.13-	■
1.0 EcoBoost (M1JJ)		Gasolina	FWD	998	92	125	10.13-	■

LISTA DE APLICACIONES - BUYERS GUIDE

1.0 EcoBoost (M1JU)		Gasolina	FWD	998	92	125	10.13-	■	
1.0 EcoBoost (YYJD)		Gasolina	FWD	998	103	140	03.16-	■	
1.5 Ti-VCT		Gasolina	FWD	1498	81	110	10.13-06.22	■	
1.5 Ti (UEJB)		Gasolina	FWD	1498	82	112	10.13-	■	
1.5 Ti (UEJE)		Gasolina	FWD	1498	82	112	10.13-	■	
1.5 TDCi (UGJE)		Diesel	FWD	1499	66	90	10.13-	■	
1.5 EcoBlue TDCi (XVJD)		Diesel	FWD	1499	70	95	05.15-	■	
1.5 EcoBlue TDCi (Z2JA)		Diesel	FWD	1499	74	100	11.17-	■	
1.5 TDCi (UGJM)		Diesel	FWD	1499	74	100	05.15-	■	
1.5 TDCi (XUJH)		Diesel	FWD	1499	74	100	05.15-	■	
1.5 TDCi EcoBlue		Diesel	FWD	1499	88	120	11.19-	■	
1.5 TDCi EcoBlue (ZTJA)		Diesel	FWD	1499	92	125	11.17-	■	
1.5 TDCi EcoBlue (ZTJB)		Diesel	FWD	1499	92	125	11.17-	■	
1.5 TDCi EcoBlue (ZTJC)		Diesel	FWD	1499	92	125	11.17-	■	
1.5 TDCi EcoBlue 4x4 (ZTJA)		Diesel	4WD	1499	92	125	11.17-	■	
1.5 TDCi EcoBlue 4x4 (ZTJB)		Diesel	4WD	1499	92	125	11.17-	■	
1.5 TDCi EcoBlue 4x4 (ZTJC)		Diesel	4WD	1499	92	125	11.17-	■	
FOCUS II 10.06-09.10							Convertible (Compact car-C Segment)		
1.6 (HWDA)		Gasolina	FWD	1596	74	100	10.06-09.10	■	
1.6 (HWDB)		Gasolina	FWD	1596	74	100	10.06-09.10	■	
1.6 (SHDA)		Gasolina	FWD	1596	74	100	10.06-09.10	■	
1.6 (SHDB)		Gasolina	FWD	1596	74	100	10.06-09.10	■	
1.6 (SHDC)		Gasolina	FWD	1596	74	100	10.06-09.10	■	
2.0 TDCi (G6DA)		Diesel	FWD	1997	100	136	10.06-09.10	■	
2.0 TDCi (G6DB)		Diesel	FWD	1997	100	136	10.06-09.10	■	
2.0 TDCi (G6DD)		Diesel	FWD	1997	100	136	10.06-09.10	■	
2.0 TDCi (G6DG)		Diesel	FWD	1997	100	136	10.06-09.10	■	
FOCUS III 02.12-							Estate Van (Compact car-C Segment)		
1.0 EcoBoost (M2DA)		Gasolina	FWD	998	74	100	02.12-02.20	■	
1.0 EcoBoost (M2DB)		Gasolina	FWD	998	74	100	02.12-02.20	■	
1.0 EcoBoost (M2DC)		Gasolina	FWD	998	74	100	02.12-02.20	■	
1.0 EcoBoost (SFDA)		Gasolina	FWD	998	74	100	02.12-02.20	■	
1.0 EcoBoost (SFDB)		Gasolina	FWD	998	74	100	02.12-02.20	■	
1.0 EcoBoost (M1DA)		Gasolina	FWD	998	92	125	02.12-02.20	■	
1.0 EcoBoost (M1DC)		Gasolina	FWD	998	92	125	02.12-02.20	■	
1.0 EcoBoost (M1DD)		Gasolina	FWD	998	92	125	02.12-02.20	■	
1.5 EcoBoost (M8DA)		Gasolina	FWD	1498	110	150	09.14-02.20	■	
1.5 EcoBoost (M8DB)		Gasolina	FWD	1498	110	150	09.14-02.20	■	
1.5 EcoBoost (M8DD)		Gasolina	FWD	1498	110	150	09.14-02.20	■	
1.5 EcoBoost (M8DE)		Gasolina	FWD	1498	110	150	09.14-02.20	■	
1.5 EcoBoost (M9DA)		Gasolina	FWD	1498	134	182	09.14-02.20	■	
1.5 EcoBoost (M9DB)		Gasolina	FWD	1498	134	182	09.14-02.20	■	
1.5 TDCi (XXDA)		Diesel	FWD	1499	70	95	09.14-02.20	■	
1.5 TDCi (XXDC)		Diesel	FWD	1499	70	95	09.14-02.20	■	
1.5 TDCi ECOnetic (XXDB)		Diesel	FWD	1499	77	105	09.14-02.20	■	
1.5 TDCi (XWDA)		Diesel	FWD	1499	88	120	09.14-02.20	■	
1.5 TDCi (XWDB)		Diesel	FWD	1499	88	120	09.14-02.20	■	
1.5 TDCi (XWDC)		Diesel	FWD	1499	88	120	09.14-02.20	■	
1.5 TDCi (XWDD)		Diesel	FWD	1499	88	120	09.14-02.20	■	
2.0 TDCi (T7DA)		Diesel	FWD	1997	110	150	11.14-02.20	■	

LISTA DE APLICACIONES - BUYERS GUIDE

2.0 TDCi (T7DB)		Diesel	FWD	1997	110	150	11.14-02.20	■
FOCUS III (C346) 01.11-					Hatchback Van (Compact car-C Segment)			
1.0 EcoBoost (M2DA)		Gasolina	FWD	998	74	100	02.12-12.17	■
1.0 EcoBoost (M2DB)		Gasolina	FWD	998	74	100	02.12-12.17	■
1.0 EcoBoost (M2DC)		Gasolina	FWD	998	74	100	02.12-12.17	■
1.0 EcoBoost (SFDA)		Gasolina	FWD	998	74	100	02.12-12.17	■
1.0 EcoBoost (SFDB)		Gasolina	FWD	998	74	100	02.12-12.17	■
1.0 EcoBoost (M1DA)		Gasolina	FWD	998	92	125	02.12-12.17	■
1.0 EcoBoost (M1DC)		Gasolina	FWD	998	92	125	02.12-12.17	■
1.0 EcoBoost (M1DD)		Gasolina	FWD	998	92	125	02.12-12.17	■
1.5 EcoBoost (M8DA)		Gasolina	FWD	1498	110	150	09.14-12.17	■
1.5 EcoBoost (M8DB)		Gasolina	FWD	1498	110	150	09.14-12.17	■
1.5 EcoBoost (M9DA)		Gasolina	FWD	1498	134	182	09.14-12.17	■
1.5 EcoBoost (M9DB)		Gasolina	FWD	1498	134	182	09.14-12.17	■
1.6 Ti (IQDA)		Gasolina	FWD	1596	77	105	01.11-02.20	■
1.6 Ti (IQDB)		Gasolina	FWD	1596	77	105	01.11-02.20	■
1.6 EcoBoost (JQDA)		Gasolina	FWD	1596	110	150	11.11-06.14	■
1.6 EcoBoost (JQDB)		Gasolina	FWD	1596	110	150	11.11-06.14	■
1.6 EcoBoost (YUDA)		Gasolina	FWD	1596	110	150	11.11-06.14	■
1.6 EcoBoost (JTDA)		Gasolina	FWD	1596	134	182	11.11-06.14	■
1.6 EcoBoost (JTDB)		Gasolina	FWD	1596	134	182	11.11-06.14	■
1.5 TDCi (XXDA)		Diesel	FWD	1499	70	95	09.14-12.17	■
1.5 TDCi (XXDC)		Diesel	FWD	1499	70	95	09.14-12.17	■
1.5 TDCi (XXDD)		Diesel	FWD	1499	70	95	09.14-12.17	■
1.5 TDCi ECOnetic (AEDA)		Diesel	FWD	1499	77	105	09.14-12.17	■
1.5 TDCi ECOnetic (XXDB)		Diesel	FWD	1499	77	105	09.14-12.17	■
1.5 TDCi (XWDA)		Diesel	FWD	1499	88	120	09.14-12.17	■
1.5 TDCi (XWDB)		Diesel	FWD	1499	88	120	09.14-12.17	■
1.5 TDCi (XWDC)		Diesel	FWD	1499	88	120	09.14-12.17	■
1.5 TDCi (XWDD)		Diesel	FWD	1499	88	120	09.14-12.17	■
1.5 TDCi (XWDE)		Diesel	FWD	1499	88	120	09.14-12.17	■
1.6 TDCi (T3DA)		Diesel	FWD	1560	70	95	01.11-12.17	■
1.6 TDCi (T3DB)		Diesel	FWD	1560	70	95	01.11-12.17	■
1.6 TDCi (T1DA)		Diesel	FWD	1560	85	115	02.12-12.17	■
1.6 TDCi (T1DB)		Diesel	FWD	1560	85	115	02.12-12.17	■
2.0 TDCi (TYDA)		Diesel	FWD	1997	85	115	01.11-06.14	■
2.0 TDCi (UFDB)		Diesel	FWD	1997	103	140	01.11-06.14	■
2.0 TDCi (T7DA)		Diesel	FWD	1997	110	150	11.14-12.17	■
2.0 TDCi (T7DB)		Diesel	FWD	1997	110	150	11.14-12.17	■
2.0 TDCi (TXDB)		Diesel	FWD	1997	120	163	01.11-06.14	■
FOCUS III (C346) 07.10-					Hatchback (Compact car-C Segment)			
1.0 EcoBoost (M2DA)		Gasolina	FWD	998	74	100	02.12-12.17	■
1.0 EcoBoost (M2DB)		Gasolina	FWD	998	74	100	02.12-12.17	■
1.0 EcoBoost (M2DC)		Gasolina	FWD	998	74	100	02.12-12.17	■
1.0 EcoBoost (SFDA)		Gasolina	FWD	998	74	100	02.12-12.17	■
1.0 EcoBoost (SFDB)		Gasolina	FWD	998	74	100	02.12-12.17	■
1.0 EcoBoost (M1DA)		Gasolina	FWD	998	92	125	02.12-12.17	■
1.0 EcoBoost (M1DC)		Gasolina	FWD	998	92	125	02.12-12.17	■
1.0 EcoBoost (M1DD)		Gasolina	FWD	998	92	125	02.12-12.17	■
1.0 EcoBoost (M1DH)		Gasolina	FWD	998	103	140	10.17-02.20	■

LISTA DE APLICACIONES - BUYERS GUIDE

1.5 EcoBoost (M8DA)		Gasolina	FWD	1498	110	150	09.14-12.17	■
1.5 EcoBoost (M8DB)		Gasolina	FWD	1498	110	150	09.14-12.17	■
1.5 EcoBoost (M9DA)		Gasolina	FWD	1498	134	182	09.14-12.17	■
1.5 EcoBoost (M9DB)		Gasolina	FWD	1498	134	182	09.14-12.17	■
1.6 Ti (XTDA)		Gasolina	FWD	1596	63	85	08.11-12.17	■
1.6 Ti (XTDB)		Gasolina	FWD	1596	63	85	08.11-12.17	■
1.6 Ti (IQDA)		Gasolina	FWD	1596	77	105	07.10-02.20	■
1.6 Ti (IQDB)		Gasolina	FWD	1596	77	105	07.10-02.20	■
1.6 Ti (IQDC)		Gasolina	FWD	1596	77	105	07.10-02.20	■
1.6 Ti (MUDA)		Gasolina	FWD	1596	88	120	02.12-12.17	■
1.6 Ti (MUDD)		Gasolina	FWD	1596	88	120	02.12-12.17	■
1.6 Ti (PNDA)		Gasolina	FWD	1596	92	125	07.10-12.17	■
1.6 Ti (PNDD)		Gasolina	FWD	1596	92	125	07.10-12.17	■
1.6 EcoBoost (JQDA)		Gasolina	FWD	1596	110	150	07.10-06.14	■
1.6 EcoBoost (JQDB)		Gasolina	FWD	1596	110	150	07.10-06.14	■
1.6 EcoBoost (YUDA)		Gasolina	FWD	1596	110	150	07.10-06.14	■
1.6 EcoBoost (JTDA)		Gasolina	FWD	1596	134	182	07.10-06.14	■
1.6 EcoBoost (JTDB)		Gasolina	FWD	1596	134	182	07.10-06.14	■
2.0 (XQDA)		Gasolina	FWD	1999	110	150	10.13-12.17	■
2.0 Ti-GDi (MGDA)		Gasolina	FWD	1999	125	170	08.11-02.20	■
1.6 LPG (MUDA)		Gasol./Gas (LPG)	FWD	1596	86	117	02.12-02.20	■
1.6 LPG (MUDA)		Gasol./Gas (LPG)	FWD	1596	88	120	02.12-02.20	■
1.6 LPG (MUDD)		Gasol./Gas (LPG)	FWD	1596	88	120	02.12-02.20	■
1.6 Flexifuel (MUDA)		Gasol./Etanol	FWD	1596	88	120	07.10-02.20	■
1.6 Flexifuel (MUDD)		Gasol./Etanol	FWD	1596	88	120	07.10-02.20	■
1.6 Flexifuel (YUDA)		Gasol./Etanol	FWD	1596	110	150	07.13-02.20	■
Electric (KDDA)		Eléctrico	FWD		107	145	07.13-12.17	■
1.5 TDCi (XXDA)		Diesel	FWD	1499	70	95	09.14-04.18	■
1.5 TDCi (XXDC)		Diesel	FWD	1499	70	95	09.14-04.18	■
1.5 TDCi (XXDD)		Diesel	FWD	1499	70	95	09.14-04.18	■
1.5 TDCi ECOnetic (AEDA)		Diesel	FWD	1499	77	105	09.14-12.17	■
1.5 TDCi ECOnetic (XXDB)		Diesel	FWD	1499	77	105	09.14-12.17	■
1.5 TDCi (XWDA)		Diesel	FWD	1499	88	120	09.14-04.18	■
1.5 TDCi (XWDB)		Diesel	FWD	1499	88	120	09.14-04.18	■
1.5 TDCi (XWDC)		Diesel	FWD	1499	88	120	09.14-04.18	■
1.5 TDCi (XWDD)		Diesel	FWD	1499	88	120	09.14-04.18	■
1.5 TDCi (XWDE)		Diesel	FWD	1499	88	120	09.14-04.18	■
1.6 TDCi (T3DA)		Diesel	FWD	1560	70	95	07.10-12.17	■
1.6 TDCi (T3DB)		Diesel	FWD	1560	70	95	07.10-12.17	■
1.6 TDCi ECOnetic (NGDA)		Diesel	FWD	1560	77	105	05.12-07.15	■
1.6 TDCi ECOnetic (NGDB)		Diesel	FWD	1560	77	105	05.12-07.15	■
1.6 TDCi (T1DA)		Diesel	FWD	1560	85	115	07.10-12.17	■
1.6 TDCi (T1DB)		Diesel	FWD	1560	85	115	07.10-12.17	■
2.0 TDCi (TYDA)		Diesel	FWD	1997	85	115	07.10-06.14	■
2.0 TDCi (UKDB)		Diesel	FWD	1997	100	136	07.10-06.14	■
2.0 TDCi (UFDB)		Diesel	FWD	1997	103	140	07.10-06.14	■
2.0 TDCi (T7DA)		Diesel	FWD	1997	110	150	11.14-12.17	■
2.0 TDCi (T7DB)		Diesel	FWD	1997	110	150	11.14-12.17	■
2.0 TDCi (TXDB)		Diesel	FWD	1997	120	163	07.10-06.14	■

LISTA DE APLICACIONES - BUYERS GUIDE

FOCUS III (C346) 07.10-					Saloon (Compact car-C Segment)			
1.0 EcoBoost (M2DA)		Gasolina	FWD	998	74	100	02.12-02.20	■
1.0 EcoBoost (M2DB)		Gasolina	FWD	998	74	100	02.12-02.20	■
1.0 EcoBoost (M2DC)		Gasolina	FWD	998	74	100	02.12-02.20	■
1.0 EcoBoost (SFDA)		Gasolina	FWD	998	74	100	02.12-02.20	■
1.0 EcoBoost (SFDB)		Gasolina	FWD	998	74	100	02.12-02.20	■
1.0 EcoBoost (M1DA)		Gasolina	FWD	998	92	125	02.12-02.20	■
1.0 EcoBoost (M1DC)		Gasolina	FWD	998	92	125	02.12-02.20	■
1.0 EcoBoost (M1DD)		Gasolina	FWD	998	92	125	02.12-02.20	■
1.0 EcoBoost (M1DH)		Gasolina	FWD	998	103	140	10.17-02.20	■
1.5 EcoBoost (M8DA)		Gasolina	FWD	1498	110	150	11.14-02.20	■
1.5 EcoBoost (M8DB)		Gasolina	FWD	1498	110	150	11.14-02.20	■
1.5 EcoBoost (M9DA)		Gasolina	FWD	1498	134	182	11.14-02.20	■
1.5 EcoBoost (M9DB)		Gasolina	FWD	1498	134	182	11.14-02.20	■
1.6 Ti (XTDA)		Gasolina	FWD	1596	63	85	08.11-02.20	■
1.6 Ti (XTDB)		Gasolina	FWD	1596	63	85	08.11-02.20	■
1.6 Ti (IQDA)		Gasolina	FWD	1596	77	105	07.10-02.20	■
1.6 Ti (IQDB)		Gasolina	FWD	1596	77	105	07.10-02.20	■
1.6 Ti (IQDC)		Gasolina	FWD	1596	77	105	07.10-02.20	■
1.6 Ti (PNDA)		Gasolina	FWD	1596	92	125	07.10-02.20	■
1.6 Ti (PNDD)		Gasolina	FWD	1596	92	125	07.10-02.20	■
1.6 EcoBoost (JQDA)		Gasolina	FWD	1596	110	150	07.10-06.14	■
1.6 EcoBoost (JQDB)		Gasolina	FWD	1596	110	150	07.10-06.14	■
1.6 EcoBoost (YUDA)		Gasolina	FWD	1596	110	150	07.10-06.14	■
1.6 EcoBoost (JTDA)		Gasolina	FWD	1596	134	182	07.10-06.14	■
1.6 EcoBoost (JTDB)		Gasolina	FWD	1596	134	182	07.10-06.14	■
2.0 (XQDA)		Gasolina	FWD	1999	110	150	10.13-02.20	■
1.6 Flexifuel (MUDA)		Gasol./Etanol	FWD	1596	88	120	07.10-02.20	■
1.6 Flexifuel (MUDD)		Gasol./Etanol	FWD	1596	88	120	07.10-02.20	■
1.6 Flexifuel (YUDA)		Gasol./Etanol	FWD	1596	110	150	07.13-02.20	■
1.5 TDCi (XXDA)		Diesel	FWD	1499	70	95	11.14-02.20	■
1.5 TDCi (XXDC)		Diesel	FWD	1499	70	95	11.14-02.20	■
1.5 TDCi (XXDD)		Diesel	FWD	1499	70	95	11.14-02.20	■
1.5 TDCi ECOnetic (AEDA)		Diesel	FWD	1499	77	105	11.14-02.20	■
1.5 TDCi ECOnetic (XXDB)		Diesel	FWD	1499	77	105	11.14-02.20	■
1.5 TDCi (XWDA)		Diesel	FWD	1499	88	120	11.14-02.20	■
1.5 TDCi (XWDB)		Diesel	FWD	1499	88	120	11.14-02.20	■
1.5 TDCi (XWDC)		Diesel	FWD	1499	88	120	11.14-02.20	■
1.5 TDCi (XWDD)		Diesel	FWD	1499	88	120	11.14-02.20	■
1.5 TDCi (XWDE)		Diesel	FWD	1499	88	120	11.14-02.20	■
1.6 TDCi (T3DA)		Diesel	FWD	1560	70	95	07.10-02.20	■
1.6 TDCi (T3DB)		Diesel	FWD	1560	70	95	07.10-02.20	■
1.6 TDCi (NGDA)		Diesel	FWD	1560	77	105	05.12-07.15	■
1.6 TDCi (NGDB)		Diesel	FWD	1560	77	105	05.12-07.15	■
1.6 TDCi (T1DA)		Diesel	FWD	1560	85	115	07.10-02.20	■
1.6 TDCi (T1DB)		Diesel	FWD	1560	85	115	07.10-02.20	■
2.0 TDCi (TYDA)		Diesel	FWD	1997	85	115	07.10-06.14	■
2.0 TDCi (UKDB)		Diesel	FWD	1997	100	136	07.10-06.14	■
2.0 TDCi (UFDB)		Diesel	FWD	1997	103	140	07.10-06.14	■
2.0 TDCi (T7DA)		Diesel	FWD	1997	110	150	11.14-02.20	■

LISTA DE APLICACIONES - BUYERS GUIDE

2.0 TDCi (T7DB)		Diesel	FWD	1997	110	150	11.14-02.20	■	
2.0 TDCi (TXDB)		Diesel	FWD	1997	120	163	07.10-06.14	■	
FOCUS III Turnier (C346) 07.10-					Estate (Compact car-C Segment)				
1.0 EcoBoost (M2DA)		Gasolina	FWD	998	74	100	02.12-02.20	■	
1.0 EcoBoost (M2DB)		Gasolina	FWD	998	74	100	02.12-02.20	■	
1.0 EcoBoost (M2DC)		Gasolina	FWD	998	74	100	02.12-02.20	■	
1.0 EcoBoost (SFDA)		Gasolina	FWD	998	74	100	02.12-02.20	■	
1.0 EcoBoost (SFDB)		Gasolina	FWD	998	74	100	02.12-02.20	■	
1.0 EcoBoost (M1DA)		Gasolina	FWD	998	92	125	02.12-02.20	■	
1.0 EcoBoost (M1DC)		Gasolina	FWD	998	92	125	02.12-02.20	■	
1.0 EcoBoost (M1DD)		Gasolina	FWD	998	92	125	02.12-02.20	■	
1.0 EcoBoost (M1DH)		Gasolina	FWD	998	103	140	10.17-02.20	■	
1.5 EcoBoost (M8DA)		Gasolina	FWD	1498	110	150	09.14-02.20	■	
1.5 EcoBoost (M8DB)		Gasolina	FWD	1498	110	150	09.14-02.20	■	
1.5 EcoBoost (M9DA)		Gasolina	FWD	1498	134	182	09.14-02.20	■	
1.5 EcoBoost (M9DB)		Gasolina	FWD	1498	134	182	09.14-02.20	■	
1.6 Ti (XTDA)		Gasolina	FWD	1596	63	85	08.11-02.20	■	
1.6 Ti (XTDB)		Gasolina	FWD	1596	63	85	08.11-02.20	■	
1.6 Ti (IQDB)		Gasolina	FWD	1596	77	105	07.10-02.20	■	
1.6 Ti		Gasolina	FWD	1596	77	105	07.14-	■	
1.6 Ti (MUDA)		Gasolina	FWD	1596	88	120	02.12-02.20	■	
1.6 Ti (MUDD)		Gasolina	FWD	1596	88	120	02.12-02.20	■	
1.6 Ti (PNDA)		Gasolina	FWD	1596	92	125	07.10-02.20	■	
1.6 Ti (PNDD)		Gasolina	FWD	1596	92	125	07.10-02.20	■	
1.6 EcoBoost (JQDA)		Gasolina	FWD	1596	110	150	07.10-06.14	■	
1.6 EcoBoost (JQDB)		Gasolina	FWD	1596	110	150	07.10-06.14	■	
1.6 EcoBoost (YUDA)		Gasolina	FWD	1596	110	150	07.10-06.14	■	
1.6 EcoBoost (JTDA)		Gasolina	FWD	1596	134	182	07.10-06.14	■	
1.6 EcoBoost (JTDB)		Gasolina	FWD	1596	134	182	07.10-06.14	■	
2.0 (XQDA)		Gasolina	FWD	1999	110	150	10.13-02.20	■	
2.0 Ti-GDi (MGDA)		Gasolina	FWD	1999	125	170	07.10-02.20	■	
1.6 LPG (MUDA)		Gasol./Gas (LPG)	FWD	1596	86	117	02.12-02.20	■	
1.6 LPG (MUDA)		Gasol./Gas (LPG)	FWD	1596	88	120	02.12-02.20	■	
1.6 LPG (MUDD)		Gasol./Gas (LPG)	FWD	1596	88	120	02.12-02.20	■	
1.6 Flexifuel (MUDA)		Gasol./Etanol	FWD	1596	88	120	07.10-02.20	■	
1.6 Flexifuel (MUDD)		Gasol./Etanol	FWD	1596	88	120	07.10-02.20	■	
1.6 Flexifuel (YUDA)		Gasol./Etanol	FWD	1596	110	150	07.13-02.20	■	
1.5 TDCi (XXDA)		Diesel	FWD	1499	70	95	09.14-02.20	■	
1.5 TDCi (XXDC)		Diesel	FWD	1499	70	95	09.14-02.20	■	
1.5 TDCi ECONetic (XXDB)		Diesel	FWD	1499	77	105	09.14-02.20	■	
1.5 TDCi ECONetic		Diesel	FWD	1499	77	105	09.15-	■	
1.5 TDCi (XWDA)		Diesel	FWD	1499	88	120	09.14-02.20	■	
1.5 TDCi (XWDB)		Diesel	FWD	1499	88	120	09.14-02.20	■	
1.5 TDCi (XWDC)		Diesel	FWD	1499	88	120	09.14-02.20	■	
1.5 TDCi (XWDD)		Diesel	FWD	1499	88	120	09.14-02.20	■	
1.5 TDCi (XWDE)		Diesel	FWD	1499	88	120	09.14-02.20	■	
1.6 TDCi (T3DA)		Diesel	FWD	1560	70	95	07.10-02.20	■	
1.6 TDCi (T3DB)		Diesel	FWD	1560	70	95	07.10-02.20	■	

LISTA DE APLICACIONES - BUYERS GUIDE

1.6 TDCi ECONetic (NGDA)		Diesel	FWD	1560	77	105	05.12-07.15	■	
1.6 TDCi ECONetic (NGDB)		Diesel	FWD	1560	77	105	05.12-07.15	■	
1.6 TDCi (T1DA)		Diesel	FWD	1560	85	115	07.10-02.20	■	
1.6 TDCi (T1DB)		Diesel	FWD	1560	85	115	07.10-02.20	■	
2.0 TDCi (TYDA)		Diesel	FWD	1997	85	115	07.10-06.14	■	
2.0 TDCi (UKDB)		Diesel	FWD	1997	100	136	07.10-06.14	■	
2.0 TDCi (UFDB)		Diesel	FWD	1997	103	140	07.10-06.14	■	
2.0 TDCi (T7DA)		Diesel	FWD	1997	110	150	11.14-02.20	■	
2.0 TDCi (T7DB)		Diesel	FWD	1997	110	150	11.14-02.20	■	
2.0 TDCi (TXDB)		Diesel	FWD	1997	120	163	07.10-06.14	■	
FOCUS C-MAX (DM2) 10.03-03.07					MPV (Compact MPV-M1 Segment)				
1.6 (HWDA)		Gasolina	FWD	1596	74	100	10.03-03.07	■	
1.6 (HWDB)		Gasolina	FWD	1596	74	100	10.03-03.07	■	
1.6 (SHDA)		Gasolina	FWD	1596	74	100	10.03-03.07	■	
1.6 (SHDB)		Gasolina	FWD	1596	74	100	10.03-03.07	■	
1.6 (SHDC)		Gasolina	FWD	1596	74	100	10.03-03.07	■	
1.6 Ti (HXDA)		Gasolina	FWD	1596	85	115	08.04-03.07	■	
1.6 Ti (SIDA)		Gasolina	FWD	1596	85	115	08.04-03.07	■	
1.8 (CSDA)		Gasolina	FWD	1798	88	120	10.03-03.07	■	
1.8 (CSDB)		Gasolina	FWD	1798	88	120	10.03-03.07	■	
1.8 (QQDC)		Gasolina	FWD	1798	90	122	09.05-03.07	■	
1.8 (Q7DA)		Gasolina	FWD	1798	92	125	04.04-03.07	■	
1.8 (QQDA)		Gasolina	FWD	1798	92	125	04.04-03.07	■	
1.8 (QQDB)		Gasolina	FWD	1798	92	125	04.04-03.07	■	
2.0 (AODA)		Gasolina	FWD	1999	107	145	03.04-03.07	■	
2.0 (AODB)		Gasolina	FWD	1999	107	145	03.04-03.07	■	
2.0 (AODE)		Gasolina	FWD	1999	107	145	03.04-03.07	■	
2.0 (SYDA)		Gasolina	FWD	1999	107	145	03.04-03.07	■	
1.8 Flexifuel (Q7DA)		Gasol./Etanol	FWD	1798	92	125	01.06-03.07	■	
1.6 TDCi (HHDA)		Diesel	FWD	1560	66	90	02.05-03.07	■	
1.6 TDCi (HHDB)		Diesel	FWD	1560	66	90	02.05-03.07	■	
1.6 TDCi (G8DA)		Diesel	FWD	1560	80	109	10.03-03.07	■	
1.6 TDCi (G8DB)		Diesel	FWD	1560	80	109	10.03-03.07	■	
1.6 TDCi (G8DD)		Diesel	FWD	1560	80	109	10.03-03.07	■	
1.6 TDCi (G8DE)		Diesel	FWD	1560	80	109	10.03-03.07	■	
1.6 TDCi (G8DF)		Diesel	FWD	1560	80	109	10.03-03.07	■	
1.8 TDCi (KKDA)		Diesel	FWD	1753	85	115	01.05-03.07	■	
1.8 TDCi (KKDB)		Diesel	FWD	1753	85	115	01.05-03.07	■	
2.0 TDCi (G6DC)		Diesel	FWD	1997	98	133	10.03-03.07	■	
2.0 TDCi (G6DE)		Diesel	FWD	1997	98	133	10.03-03.07	■	
2.0 TDCi (G6DF)		Diesel	FWD	1997	98	133	10.03-03.07	■	
2.0 TDCi (G6DA)		Diesel	FWD	1997	100	136	10.03-03.07	■	
2.0 TDCi (G6DB)		Diesel	FWD	1997	100	136	10.03-03.07	■	
2.0 TDCi (G6DD)		Diesel	FWD	1997	100	136	10.03-03.07	■	
2.0 TDCi (G6DG)		Diesel	FWD	1997	100	136	10.03-03.07	■	
GRAND C-MAX 12.10-					Box Body/MPV (LCVs-N1 Segment)				
1.0 EcoBoost (B3DA)		Gasolina	FWD	998	74	100	10.12-06.18	■	
1.0 EcoBoost (M2DA)		Gasolina	FWD	998	74	100	10.12-06.18	■	
1.0 EcoBoost (M2DC)		Gasolina	FWD	998	74	100	10.12-06.18	■	
1.0 EcoBoost (B7DA)		Gasolina	FWD	998	92	125	10.12-06.19	■	

LISTA DE APLICACIONES - BUYERS GUIDE

1.0 EcoBoost (M1DA)		Gasolina	FWD	998	92	125	10.12-06.19	■
1.0 EcoBoost (M1DD)		Gasolina	FWD	998	92	125	10.12-06.19	■
1.5 EcoBoost (M8DB)		Gasolina	FWD	1498	110	150	03.15-06.19	■
1.6 Ti		Gasolina	FWD	1596	92	125	12.10-12.14	■
1.6 EcoBoost (JQDA)		Gasolina	FWD	1596	110	150	12.10-06.19	■
1.6 EcoBoost (JQDB)		Gasolina	FWD	1596	110	150	12.10-06.19	■
1.6 EcoBoost		Gasolina	FWD	1596	134	182	12.10-06.19	■
1.5 TDCi (XWDA)		Diesel	FWD	1499	88	120	03.15-06.19	■
1.5 TDCi (XWDB)		Diesel	FWD	1499	88	120	03.15-06.19	■
1.5 TDCi (XWDC)		Diesel	FWD	1499	88	120	03.15-06.19	■
1.5 TDCi (XWDD)		Diesel	FWD	1499	88	120	03.15-06.19	■
1.5 TDCi (XWDE)		Diesel	FWD	1499	88	120	03.15-06.19	■
1.6 TDCi (T3DA)		Diesel	FWD	1560	70	95	12.10-06.19	■
1.6 TDCi (T3DB)		Diesel	FWD	1560	70	95	12.10-06.19	■
1.6 TDCi (T1DA)		Diesel	FWD	1560	85	115	12.10-06.19	■
1.6 TDCi (T1DB)		Diesel	FWD	1560	85	115	12.10-06.19	■
2.0 TDCi (TYDA)		Diesel	FWD	1997	85	115	02.11-06.19	■
2.0 TDCi (UFDB)		Diesel	FWD	1997	103	140	12.10-06.19	■
2.0 TDCi (T7DB)		Diesel	FWD	1997	110	150	03.15-06.19	■
2.0 TDCi (T7DC)		Diesel	FWD	1997	110	150	03.15-06.19	■
2.0 TDCi (TXDB)		Diesel	FWD	1997	120	163	12.10-06.19	■
2.0 TDCi (T8DE)		Diesel	FWD	1997	125	170	03.15-06.19	■
GRAND C-MAX (DXA/CB7, DXA/CEU) 12.10-					MPV (Large MPV-M1 Segment)			
1.0 EcoBoost (B3DA)		Gasolina	FWD	998	74	100	10.12-06.19	■
1.0 EcoBoost (M2DA)		Gasolina	FWD	998	74	100	10.12-06.19	■
1.0 EcoBoost (M2DC)		Gasolina	FWD	998	74	100	10.12-06.19	■
1.0 EcoBoost (B7DA)		Gasolina	FWD	998	92	125	10.12-06.19	■
1.0 EcoBoost (M1DA)		Gasolina	FWD	998	92	125	10.12-06.19	■
1.0 EcoBoost (M1DD)		Gasolina	FWD	998	92	125	10.12-06.19	■
1.0 EcoBoost		Gasolina	FWD	999	74	101	07.18-06.19	■
1.0 EcoBoost		Gasolina	FWD	999	92	125	07.18-06.19	■
1.5 EcoBoost (M8DB)		Gasolina	FWD	1498	110	150	03.15-06.19	■
1.5 EcoBoost (M9DB)		Gasolina	FWD	1498	134	182	03.15-06.19	■
1.6 Ti (XTDA)		Gasolina	FWD	1596	63	86	12.10-06.19	■
1.6 Ti (IQDA)		Gasolina	FWD	1596	77	105	12.10-06.19	■
1.6 Ti (IQDB)		Gasolina	FWD	1596	77	105	12.10-06.19	■
1.6 Ti (PNDA)		Gasolina	FWD	1596	92	125	12.10-06.19	■
1.6 Ti (PNDD)		Gasolina	FWD	1596	92	125	12.10-06.19	■
1.6 EcoBoost (JQDA)		Gasolina	FWD	1596	110	150	12.10-06.19	■
1.6 EcoBoost (JQDB)		Gasolina	FWD	1596	110	150	12.10-06.19	■
1.6 EcoBoost (JTDA)		Gasolina	FWD	1596	134	182	12.10-06.19	■
1.6 EcoBoost (JTDB)		Gasolina	FWD	1596	134	182	12.10-06.19	■
1.5 TDCi (XXDA)		Diesel	FWD	1499	70	95	03.15-06.19	■
1.5 TDCi (XXDC)		Diesel	FWD	1499	70	95	03.15-06.19	■
1.5 TDCi (XWDA)		Diesel	FWD	1499	88	120	03.15-06.19	■
1.5 TDCi (XWDB)		Diesel	FWD	1499	88	120	03.15-06.19	■
1.5 TDCi (XWDC)		Diesel	FWD	1499	88	120	03.15-06.19	■
1.5 TDCi (XWDD)		Diesel	FWD	1499	88	120	03.15-06.19	■
1.5 TDCi (XWDE)		Diesel	FWD	1499	88	120	03.15-06.19	■
1.6 TDCi (T3DA)		Diesel	FWD	1560	70	95	12.10-06.19	■
1.6 TDCi (T3DB)		Diesel	FWD	1560	70	95	12.10-06.19	■

LISTA DE APLICACIONES - BUYERS GUIDE

1.6 TDCi (T1DA)		Diesel	FWD	1560	85	115	12.10-06.19	■	
1.6 TDCi (T1DB)		Diesel	FWD	1560	85	115	12.10-06.19	■	
2.0 TDCi (TYDA)		Diesel	FWD	1997	85	115	02.11-06.19	■	
2.0 TDCi (UKDB)		Diesel	FWD	1997	100	136	02.11-06.19	■	
2.0 TDCi (UFDB)		Diesel	FWD	1997	103	140	02.11-06.19	■	
2.0 TDCi (T7DB)		Diesel	FWD	1997	110	150	03.15-06.19	■	
2.0 TDCi (T7DC)		Diesel	FWD	1997	110	150	03.15-06.19	■	
2.0 TDCi (TXDB)		Diesel	FWD	1997	120	163	12.10-06.19	■	
2.0 TDCi (T8DE)		Diesel	FWD	1997	125	170	03.15-06.19	■	
KUGA II / ESCAPE III 05.12-					SUV Van (Compact SUV-J Segment)				
1.5 EcoBoost (BNMA)		Gasolina	FWD	1499	88	120	06.19-12.19	■	
1.5 EcoBoost (M8MA)		Gasolina	FWD	1499	110	150	09.14-12.19	■	
1.5 EcoBoost 4x4 (M9MA)		Gasolina	4WD	1499	134	182	09.14-12.19	■	
1.5 TDCi (XWMB)		Diesel	FWD	1499	88	120	01.19-12.19	■	
1.5 TDCi (XWMC)		Diesel	FWD	1499	88	120	01.19-12.19	■	
KUGA II / ESCAPE III (DM2) 05.12-					SUV (Compact SUV-J Segment)				
1.5 EcoBoost (BNMA)		Gasolina	FWD	1499	88	120	01.16-06.19	■	
1.5 EcoBoost (M8MA)		Gasolina	FWD	1499	110	150	09.14-06.19	■	
1.5 EcoBoost 4x4 (M9MA)		Gasolina	4WD	1499	134	182	09.14-06.18	■	
1.6 EcoBoost (JQMA)	Short Wheelbase, Australia, Japan, New Zealand	Gasolina	FWD	1596	110	150	03.13-09.14	■	
1.6 EcoBoost (JQMB)	Short Wheelbase, Australia, Japan, New Zealand	Gasolina	FWD	1596	110	150	03.13-09.14	■	
1.6 EcoBoost 4x4 (JQMA)		Gasolina	4WD	1596	110	150	03.13-09.14	■	
1.6 EcoBoost 4x4 (JQMB)		Gasolina	4WD	1596	110	150	03.13-09.14	■	
1.6 EcoBoost		Gasolina	FWD	1596	130	177	01.13-	■	
1.6 EcoBoost 4x4 (JTMA)		Gasolina	4WD	1596	134	182	03.13-09.14	■	
1.6		Gasolina	FWD	1601	133	181	03.13-	■	
2.5		Gasolina	FWD	2488	110	150	01.14-12.19	■	
1.5 EcoBoost E85		Etanol	FWD	1499	110	150	02.19-11.19	■	
1.5 TDCi (XWMB)		Diesel	FWD	1499	88	120	07.16-06.19	■	
1.5 TDCi (XWMC)		Diesel	FWD	1499	88	120	07.16-06.19	■	
2.0 TDCi (TYMA)		Diesel	FWD	1997	85	115	03.13-12.19	■	
2.0 TDCi (XRMA)		Diesel	FWD	1997	88	120	09.14-06.19	■	
2.0 TDCi (XRMB)		Diesel	FWD	1997	88	120	09.14-06.19	■	
2.0 TDCi (UFMA)		Diesel	FWD	1997	103	140	03.13-09.14	■	
2.0 TDCi 4x4 (UFMA)		Diesel	4WD	1997	103	140	03.13-09.14	■	
2.0 TDCi (T7MA)		Diesel	FWD	1997	110	150	09.14-06.19	■	
2.0 TDCi (T7MB)		Diesel	FWD	1997	110	150	09.14-06.19	■	
2.0 TDCi (T7MC)		Diesel	FWD	1997	110	150	09.14-06.19	■	
2.0 TDCi (T7MD)		Diesel	FWD	1997	110	150	09.14-06.19	■	
2.0 TDCi 4x4 (T7MA)		Diesel	4WD	1997	110	150	09.14-06.19	■	
2.0 TDCi 4x4 (T7MB)		Diesel	4WD	1997	110	150	09.14-06.19	■	
2.0 TDCi 4x4 (TXDA)		Diesel	4WD	1997	120	163	03.13-09.14	■	
2.0 TDCi 4x4 (TXMA)		Diesel	4WD	1997	120	163	03.13-09.14	■	
2.0 TDCi 4x4 (T8MA)		Diesel	4WD	1997	132	180	09.14-06.19	■	
2.0 TDCi 4x4 (T8MB)		Diesel	4WD	1997	132	180	09.14-06.19	■	
TOURNEO CONNECT II / GRAND TOURNEO CONNECT V408 09.13-					MPV (Large MPV-M1 Segment)				
1.0 EcoBoost (B3GA)	Short Wheelbase, not increa.axle load	Gasolina	FWD	998	74	100	11.13-12.22	■	
1.0 EcoBoost (M2GA)	Short Wheelbase, not increa.axle load	Gasolina	FWD	998	74	100	11.13-12.22	■	

LISTA DE APLICACIONES - BUYERS GUIDE

1.0 EcoBoost (M2GB)	Short Wheelbase, not increa.axle load	Gasolina	FWD	998	74	100	11.13-12.22	■	
1.6 EcoBoost (JQGA)	Short Wheelbase, not increa.axle load	Gasolina	FWD	1596	110	150	11.13-12.22	■	
1.5 EcoBlue (BEGA)		Diesel	FWD	1499	55	75	05.18-12.22	■	
1.5 TDCi (XUGA)	Short Wheelbase, not increa.axle load	Diesel	FWD	1499	55	75	05.15-12.22	■	
1.5 TDCi		Diesel	FWD	1499	70	95	08.16-12.22	■	
1.5 EcoBlue (Z2GA)		Diesel	FWD	1499	74	101	05.18-12.22	■	
1.5 TDCi (XVGA)	Short Wheelbase, not increa.axle load	Diesel	FWD	1499	74	101	05.15-12.22	■	
1.5 TDCi (XVGB)	Short Wheelbase, not increa.axle load	Diesel	FWD	1499	74	101	05.15-12.22	■	
1.5 TDCi (XVGC)	Short Wheelbase, not increa.axle load	Diesel	FWD	1499	74	101	05.15-12.22	■	
1.5 TDCi (XXGA)	Short Wheelbase, not increa.axle load	Diesel	FWD	1499	74	101	05.15-12.22	■	
1.5 EcoBlue (ZTGA)		Diesel	FWD	1499	88	120	05.18-12.22	■	
1.5 TDCi (XWGA)	Short Wheelbase, not increa.axle load	Diesel	FWD	1499	88	120	05.15-12.22	■	
1.5 TDCi (XWGB)	Short Wheelbase, not increa.axle load	Diesel	FWD	1499	88	120	05.15-12.22	■	
1.5 TDCi (XWGC)	Short Wheelbase, not increa.axle load	Diesel	FWD	1499	88	120	05.15-12.22	■	
1.6 TDCi (UBGA)	Short Wheelbase, not increa.axle load	Diesel	FWD	1560	55	75	09.13-12.22	■	
1.6 TDCi (TZGA)	Short Wheelbase, not increa.axle load	Diesel	FWD	1560	70	95	09.13-12.22	■	
1.6 TDCi (TZGB)	Short Wheelbase, not increa.axle load	Diesel	FWD	1560	70	95	09.13-12.22	■	
1.6 TDCi (T1GA)	Short Wheelbase, not increa.axle load	Diesel	FWD	1560	85	115	09.13-12.22	■	
TRANSIT CONNECT II 09.13-					MPV (Large MPV-M1 Segment)				
1.6 EcoBoost	Short Wheelbase	Gasolina	FWD	1596	110	150	02.13-	■	
2.5 Duratec	Short Wheelbase	Gasolina	FWD	2488	126	171	09.13-	■	
1.5 EcoBlue (BEGA)	Short Wheelbase	Diesel	FWD	1499	55	75	05.18-	■	
1.5 TDCi (XUGA)	not increa.axle load	Diesel	FWD	1499	55	75	08.15-	■	
1.5 EcoBlue (Z2GA)		Diesel	FWD	1499	74	101	05.18-	■	
1.5 TDCi (XVGA)	Short Wheelbase, not increa.axle load	Diesel	FWD	1499	74	101	05.15-	■	
1.5 TDCi (XVGB)	Short Wheelbase, not increa.axle load	Diesel	FWD	1499	74	101	05.15-	■	
1.5 TDCi (XVGC)	Short Wheelbase, not increa.axle load	Diesel	FWD	1499	74	101	05.15-	■	
1.5 TDCi (XXGA)	Short Wheelbase, not increa.axle load	Diesel	FWD	1499	74	101	05.15-	■	
1.5 EcoBlue (ZTGA)		Diesel	FWD	1499	88	120	05.18-	■	
1.5 TDCi (XWGA)	Short Wheelbase, not increa.axle load	Diesel	FWD	1499	88	120	05.15-	■	
1.5 TDCi (XWGB)	Short Wheelbase, not increa.axle load	Diesel	FWD	1499	88	120	05.15-	■	
1.5 TDCi (XWGC)	Short Wheelbase, not increa.axle load	Diesel	FWD	1499	88	120	05.15-	■	
1.6 TDCi (UBGA)	Short Wheelbase, not increa.axle load	Diesel	FWD	1560	55	75	09.13-	■	
1.6 TDCi (TZGA)	Short Wheelbase, not increa.axle load	Diesel	FWD	1560	70	95	09.13-	■	
1.6 TDCi (TZGB)	Short Wheelbase, not increa.axle load	Diesel	FWD	1560	70	95	09.13-	■	
1.6 TDCi (T1GA)	Short Wheelbase, not increa.axle load	Diesel	FWD	1560	85	115	09.13-	■	
TRANSIT CONNECT II V408 09.13-					Box Body/MPV (LCVs-N1 Segment)				
1.0 EcoBoost (B3GA)	Short Wheelbase, not increa.axle load	Gasolina	FWD	998	74	100	09.13-	■	

LISTA DE APLICACIONES - BUYERS GUIDE

1.0 EcoBoost (M2GA)	Short Wheelbase, not increa.axle load	Gasolina	FWD	998	74	100	09.13-	■	
1.0 EcoBoost (M2GB)	Short Wheelbase, not increa.axle load	Gasolina	FWD	998	74	100	09.13-	■	
1.6 EcoBoost (JQGA)	Short Wheelbase, not increa.axle load	Gasolina	FWD	1596	110	150	11.13-	■	
2.5 Duratec	Short Wheelbase	Gasolina	FWD	2488	126	171	09.13-	■	
1.5 EcoBlue (BEGA)		Diesel	FWD	1499	55	75	05.18-	■	
1.5 TDCi (XUGA)	Short Wheelbase, not increa.axle load	Diesel	FWD	1499	55	75	08.15-	■	
1.5 TDCi		Diesel	FWD	1499	70	95	03.16-	■	
1.5 EcoBlue (Z2GA)		Diesel	FWD	1499	74	101	05.18-	■	
1.5 TDCi (XVGA)	Short Wheelbase, not increa.axle load	Diesel	FWD	1499	74	101	05.15-	■	
1.5 TDCi (XVGB)	Short Wheelbase, not increa.axle load	Diesel	FWD	1499	74	101	05.15-	■	
1.5 TDCi (XVGC)	Short Wheelbase, not increa.axle load	Diesel	FWD	1499	74	101	05.15-	■	
1.5 TDCi (XXGA)	Short Wheelbase, not increa.axle load	Diesel	FWD	1499	74	101	05.15-	■	
1.5 EcoBlue (ZTGA)		Diesel	FWD	1499	88	120	05.18-	■	
1.5 TDCi (XWGA)	Short Wheelbase, not increa.axle load	Diesel	FWD	1499	88	120	05.15-	■	
1.5 TDCi (XWGB)	Short Wheelbase, not increa.axle load	Diesel	FWD	1499	88	120	05.15-	■	
1.5 TDCi (XWGC)	Short Wheelbase, not increa.axle load	Diesel	FWD	1499	88	120	05.15-	■	
1.6 TDCi (UBGA)	not increa.axle load, Short Wheelbase	Diesel	FWD	1560	55	75	09.13-	■	
1.6 TDCi (TZGA)	Short Wheelbase, not increa.axle load	Diesel	FWD	1560	70	95	09.13-	■	
1.6 TDCi (TZGB)	Short Wheelbase, not increa.axle load	Diesel	FWD	1560	70	95	09.13-	■	
1.6 TDCi (T1GA)	Short Wheelbase, not increa.axle load	Diesel	FWD	1560	85	115	09.13-	■	
FORD AUSTRALIA									
KUGA (TE) 01.11-11.14						Hatchback (Compact SUV-J Segment)			
1.6 EcoBoost		Gasolina	FWD	1596	134	182	04.13-11.14	■	
2.5		Gasolina	FWD	2522	147	200	05.12-	■	
TRANSIT (VO) 09.14-						Platform/Chassis (LCVs-N1 Segment)			
2.2 TDCi		Diesel	RWD	2198	114	155	09.14-	■	
TRANSIT (VO) 09.14-						Van (LCVs-N1 Segment)			
2.2 TDCi		Diesel	RWD	2198	114	155	09.14-	■	