

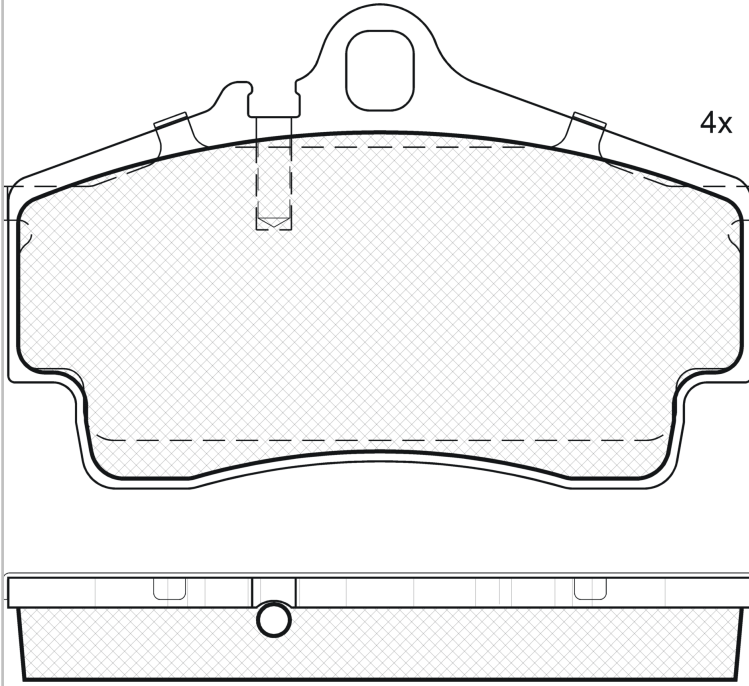
LISTA DE APLICACIONES - BUYERS GUIDE

181619



Qty: 944 Weight: 1.400

O.E.M.	MAKE
986 352 939 00	PORSCHE
986 352 939 10	PORSCHE
98635293911	PORSCHE
996 352 930 00	PORSCHE
996 352 930 03	PORSCHE
996 352 939 00	PORSCHE
996 352 939 02	PORSCHE
996 352 939 03	PORSCHE
996 352 939 10	PORSCHE
996 352 980 00	PORSCHE



181619

E 9 90R-01110/189



Brembo

112.25x73.1x16.1

WVA	FMSI
21792	D738-7607 D738-7646
MAKE	
PORSCHE	



Trac.	CC	Kw	CV
-------	----	----	----



Front / Rear

PORSCHE

911 (996) 08.97-08.05

Convertible (Sports car-S Segment)

Model	Fuel	Trac.	CC	Kw	CV	Year	
3.4 Carrera (M 96.01)	Gasolina	RWD	3387	221	301	02.98-09.01	■
3.4 Carrera (M 96.04)	Gasolina	RWD	3387	221	301	02.98-09.01	■
3.4 Carrera 4 (M 96.02)	Gasolina	4WD	3387	221	301	02.98-09.01	■
3.4 Carrera 4 (M 96.04)	Gasolina	4WD	3387	221	301	02.98-09.01	■
3.4 Carrera (M 96.02)	Gasolina	RWD	3387	235	320	08.97-07.99	■
3.4 Carrera 4 (M 96.02)	Gasolina	4WD	3387	235	320	08.97-07.99	■
3.6 Carrera (M 96.03)	Gasolina	RWD	3596	235	320	10.01-08.05	■
3.6 Carrera (M 96.05)	Gasolina	RWD	3596	235	320	04.05-07.05	■
3.6 Carrera 4 (M 96.03)	Gasolina	4WD	3596	235	320	10.01-08.05	■
3.6 Carrera (M 96.05)	Gasolina	RWD	3596	239	325	04.05-12.08	■
3.6 Carrera 4 (M 96.05)	Gasolina	4WD	3596	239	325	04.05-12.08	■
3.6 Carrera 4S (M 96.03)	Gasolina	4WD	3596	254	345	06.02-08.05	■
3.6 Carrera S (M 96.03)	Gasolina	RWD	3596	254	345	06.02-08.05	■
3.8 Carrera 4S (M 97.01S)	Gasolina	4WD	3824	280	381	08.05-12.08	■
3.8 Carrera S (M 97.01S)	Gasolina	RWD	3824	280	381	08.05-12.08	■

911 (996) 08.97-09.05

Coupe (Sports car-S Segment)

3.4 Carrera (M 96.01)	Gasolina	RWD	3387	221	301	08.97-07.01	■
3.4 Carrera (M 96.04)	Gasolina	RWD	3387	221	301	08.97-07.01	■
3.4 Carrera 4 (M 96.01)	Gasolina	4WD	3387	221	301	08.97-07.01	■
3.4 Carrera 4 (M 96.04)	Gasolina	4WD	3387	221	301	08.97-07.01	■
3.4 Carrera (M 96.02)	Gasolina	RWD	3387	235	320	08.97-07.99	■
3.4 Carrera 4 (M 96.02)	Gasolina	4WD	3387	235	320	09.97-07.99	■
3.6 Carrera (M 96.03)	Gasolina	RWD	3596	235	320	10.01-08.04	■

LISTA DE APLICACIONES - BUYERS GUIDE

3.6 Carrera (M 96.05)		Gasolina	RWD	3596	235	320	08.04-07.05	■	
3.6 Carrera 4 (M 96.03)		Gasolina	4WD	3596	235	320	10.01-08.04	■	
3.6 Carrera (M 96.05)		Gasolina	RWD	3596	239	325	07.04-12.08	■	
3.6 Carrera 4 (M 96.05)		Gasolina	4WD	3596	239	325	07.04-12.08	■	
3.6 Carrera 4S (M 96.03)		Gasolina	4WD	3596	254	345	02.03-07.04	■	
3.6 Carrera S (M 96.03)		Gasolina	RWD	3596	254	345	02.03-08.05	■	
3.6 GT3 (M 96.76)	-12/00	Gasolina	RWD	3600	265	360	03.99-07.02	■	
3.8 Carrera 4S (M 97.01S)		Gasolina	4WD	3824	280	381	08.05-12.08	■	
3.8 Carrera S (M 97.01S)		Gasolina	RWD	3824	280	381	08.05-12.08	■	
911 (996) 12.01-08.05							Targa (Sports car-S Segment)		
3.6 (M 96.03)		Gasolina	RWD	3596	235	320	12.01-08.05	■	
3.6 Carrera 4 (M 96.05)		Gasolina	4WD	3596	239	325	07.06-12.08	■	
BOXSTER (986) 09.96-12.04							Convertible (Sports car-S Segment)		
2.5 (M 96.20)		Gasolina	RWD	2480	150	204	09.96-08.99	■	
2.7		Gasolina	RWD	2687	155	211	06.99-12.02	■	
2.7 (M 96.22)		Gasolina	RWD	2687	162	220	08.99-07.02	■	
2.7 (M 96.23)		Gasolina	RWD	2687	168	228	07.02-12.04	■	
S 3.2 (M 96.21)		Gasolina	RWD	3179	185	252	08.99-07.02	■	
S 3.2 (M 96.24)		Gasolina	RWD	3179	191	260	07.02-12.04	■	
S 3.2 (M 96.24)		Gasolina	RWD	3179	196	266	01.04-12.04	■	
BOXSTER II (987) 06.04-12.13							Convertible (Sports car-S Segment)		
2.7 (M 96.25)		Gasolina	RWD	2687	176	240	11.04-12.06	■	
2.7 (M 97.20)		Gasolina	RWD	2687	180	245	07.06-12.09	■	
S 3.2 (M 96.26)	-12/05	Gasolina	RWD	3179	206	280	11.04-12.06	■	
S 3.4 (M 97.21)		Gasolina	RWD	3387	217	295	07.06-12.09	■	
S 3.4 (M 97.22)	not ceramic brakes	Gasolina	RWD	3387	223	303	08.08-12.09	■	
S 3.4 (MA1.21)		Gasolina	RWD	3436	228	310	06.09-12.11	■	
S 3.4 (987.760, 987.761, 987.320) (MA1.21)		Gasolina	RWD	3436	235	320	08.10-05.12	■	
BOXSTER II Spyder (987) 09.07-12.13							Convertible (Sports car-S Segment)		
3.4 RS 60 (M 97.22)	not ceramic brakes	Gasolina	RWD	3387	223	303	09.07-12.08	■	
3.4 (987.720) (MA1.21)		Gasolina	RWD	3436	235	320	02.10-12.11	■	
CAYMAN (987) 11.05-12.13							Coupe (Sports car-S Segment)		
2.9 (MA1.20)		Gasolina	RWD	2893	155	211	02.09-06.13	■	
2.9 (MA1.20)		Gasolina	RWD	2893	195	265	02.09-12.12	■	
S 3.4 (M 97.21)		Gasolina	RWD	3387	217	295	11.05-12.09	■	
S 3,4 Sport (M 97.22)		Gasolina	RWD	3387	223	303	08.08-12.12	■	
S 3.4 (MA1.21)		Gasolina	RWD	3436	235	320	02.09-06.13	■	