

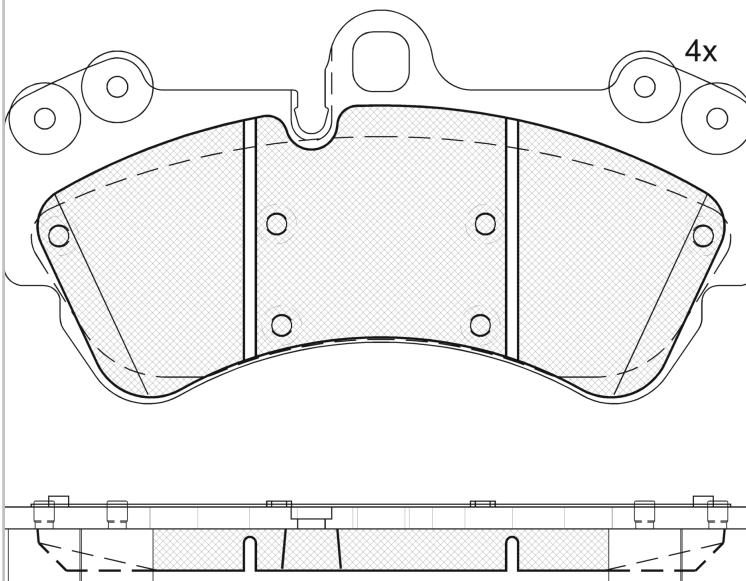
LISTA DE APLICACIONES - BUYERS GUIDE

181620



Qty: 300 Weight: 3.730

O.E.M.	MAKE
463 420 55 00	MERCEDES-BENZ
7L0 698 151	VW
7L0 698 151 B	VW
7L0 698 151 D	VW
7L0 698 151 F	VW
7L0 698 151 H	VW
7L0 698 151 Q	VW
7L0 698 151 S	VW
7L6 698 151	VW
7L6 698 151 C	VW
7L6 698 151 H	VW
955 351 939 00	PORSCHE
955 351 939 01	PORSCHE
955 351 939 02	PORSCHE
955 351 939 03	PORSCHE
955 351 939 04	PORSCHE
955 351 939 05	PORSCHE
955 351 939 06	PORSCHE
955 351 939 07	PORSCHE



181620

E 9 90R-01111/748



Brembo

190x99.1x16.7

WVA	FMSI
23692	D1007-7911
MAKE	
MERCEDES-BENZ	
PORSCHE	
VW	



Trac.	CC	Kw	CV
-------	----	----	----



Front / Rear

MERCEDES-BENZ

G-Class (W463) 01.18-						Closed Off-Road Vehicle (Off-Road SUV-J Segment)		
G 500 (463.260, 463.261) (M 176.980)	Gasolina	4WD	3982	310	422	01.18-	■	
AMG G 63 (463.276, 463.277) (M 177.980)	Gasolina	4WD	3982	430	585	03.18-	■	

PORSCHE

CAYENNE I (9PA) 05.02-12.10						SUV (Luxury Crossover SUV-J Segment)		
3.2 (M02.2Y)	Gasolina	4WD	3189	184	250	10.03-09.07	■	
3.6 (M 55.01)	-01/10, Rim 17	Gasolina	4WD	3598	213	290	02.07-09.10	■
S 4.5 (M 48.00)		Gasolina	4WD	4511	250	340	09.02-09.07	■
Turbo 4.5 (M 48.50)		Gasolina	4WD	4511	331	450	09.02-09.07	■
Turbo S 4.5 (M 48.50S)		Gasolina	4WD	4511	368	500	01.04-09.07	■
Turbo S 4.5 (M 48.50T)	01/07-	Gasolina	4WD	4511	383	521	05.02-05.06	■
S 4.8 (M 48.01)		Gasolina	4WD	4806	283	385	02.07-09.10	■
Turbo S 4.8 (M 48.51)		Gasolina	4WD	4806	368	500	02.07-09.10	■
Turbo S 4.8 (M 48.51)		Gasolina	4WD	4806	397	540	02.07-09.10	■
Turbo S 4.8 (M 48.51)		Gasolina	4WD	4806	404	550	08.08-09.10	■
3.0 TDI (M 05.9D)		Diesel	4WD	2967	176	240	02.09-09.10	■

VW

TOUAREG (7LA, 7L6, 7L7) 10.02-12.13						SUV (Luxury Crossover SUV-J Segment)		
3.2 V6 (AZZ)	Gasolina	4WD	3189	162	220	10.02-11.06	■	
3.2 V6 (BAA)	Gasolina	4WD	3189	162	220	10.02-11.06	■	
3.2 V6 (BKJ)	Gasolina	4WD	3189	162	220	10.02-11.06	■	
3.2 V6 (BMV)	Gasolina	4WD	3189	162	220	10.02-11.06	■	

LISTA DE APLICACIONES - BUYERS GUIDE

3.2 V6 (BMX)		Gasolina	4WD	3189	162	220	10.02-11.06	■	
3.2 V6 (BRJ)		Gasolina	4WD	3189	162	220	10.02-11.06	■	
3.2 V6 (BMV)		Gasolina	4WD	3189	177	241	11.04-11.06	■	
3.6 V6 FSI (BHK)	01/06-	Gasolina	4WD	3597	206	280	10.05-05.10	■	
3.6 V6 FSI (BHL)	01/06-	Gasolina	4WD	3597	206	280	10.05-05.10	■	
4.2 V8 FSI (BAR)		Gasolina	4WD	4163	257	350	06.06-05.10	■	
4.2 V8 (AXQ)		Gasolina	4WD	4172	228	310	12.02-11.06	■	
6.0 W12 (BJN)	01/05-	Gasolina	4WD	5998	331	450	08.04-05.10	■	
6.0 W12 (CFRA)	01/05-	Gasolina	4WD	5998	331	450	08.04-05.10	■	
2.5 R5 TDI (BAC)		Diesel	4WD	2461	128	174	01.03-05.10	■	
2.5 R5 TDI (BPE)		Diesel	4WD	2461	128	174	01.03-05.10	■	
3.0 V6 TDI (BKS)		Diesel	4WD	2967	165	225	11.04-05.10	■	
3.0 V6 TDI (CATA)		Diesel	4WD	2967	165	225	11.04-05.10	■	
3.0 V6 TDI (CASA)		Diesel	4WD	2967	176	240	11.07-05.10	■	
3.0 V6 TDI (CASC)		Diesel	4WD	2967	176	240	11.07-05.10	■	
5.0 V10 TDI (AYH)		Diesel	4WD	4921	230	313	10.02-05.10	■	
5.0 V10 TDI (BKW)		Diesel	4WD	4921	230	313	10.02-05.10	■	
5.0 V10 TDI (BLE)		Diesel	4WD	4921	230	313	10.02-05.10	■	
5.0 V10 TDI (BWF)		Diesel	4WD	4921	230	313	10.02-05.10	■	
5.0 R50 TDI (CBWA)		Diesel	4WD	4921	257	350	08.07-05.10	■	
TOUAREG II (7P5, 7P6) 01.10-					SUV (Luxury Crossover SUV-J Segment)				
3.6 V6 FSI (CGRA)		Gasolina	4WD	3597	206	280	04.10-03.18	■	
3.0 V6 TDI (CASA)		Diesel	4WD	2967	176	240	01.10-03.18	■	
3.0 V6 TDI (CNRB)		Diesel	4WD	2967	176	240	01.10-03.18	■	